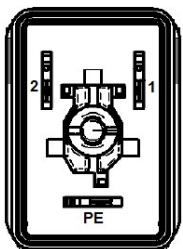
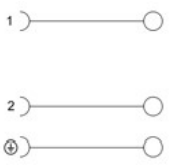
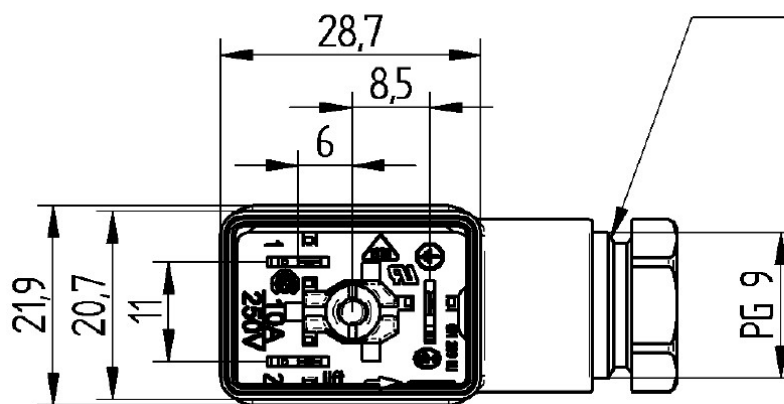
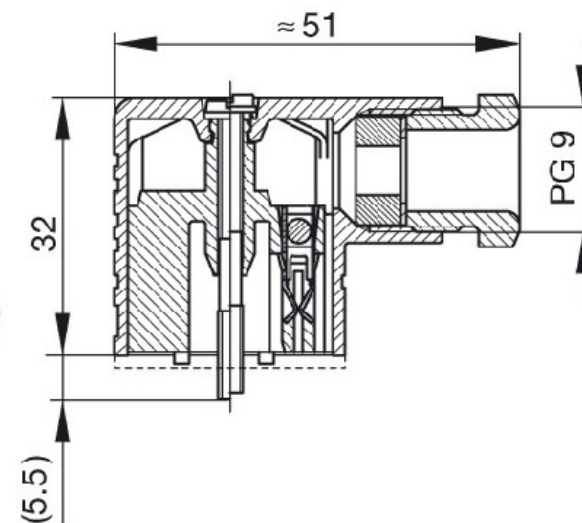


Materials	
Housing, gland screw	PA 6/ Black
Contact Bearer, Gland Screw, Cage	PA 66/ Black
Contact / Contact Plating	CuZn / Cu/Sn
Center Screw / Screw Size	Fe/Zn B / M 3 x 35
Gasket (temperature range)	NBR ( -25° to +90° C )

Technical Data	
Standard / Construction Type	Industrial Standard / Type B
No. of Contacts / Terminal Type	2 + PE / Screw
Rated Current	16 A
Rated Voltage (AC/DC)	250 V
Protective Circuit	None
Conductor Size Range	0.25 mm <sup>2</sup> (20 AWG) to... 1.5 mm <sup>2</sup> (16 AWG)
Type of Connection	Screw Terminal
Approvals	VDE
Gland Outer Thread / Clamp Range	PG 7/ $\phi$ 4.5 mm to $\phi$ 7 mm
Packaging Type / Qty per Carton	Carton / 10 pieces bagged

Environmental Conditions	
Temperature Range	-25° to +90° C
Protection Class	IP65

Connector Face View	Circuitry Layout
	



Cable gland: PG 9  
 fastening torque:  
 (250–375) Ncm



Rev	A	RBS - 12/8/17	Notes
Order Code	20849		Description GM 209 NJ-1KK