

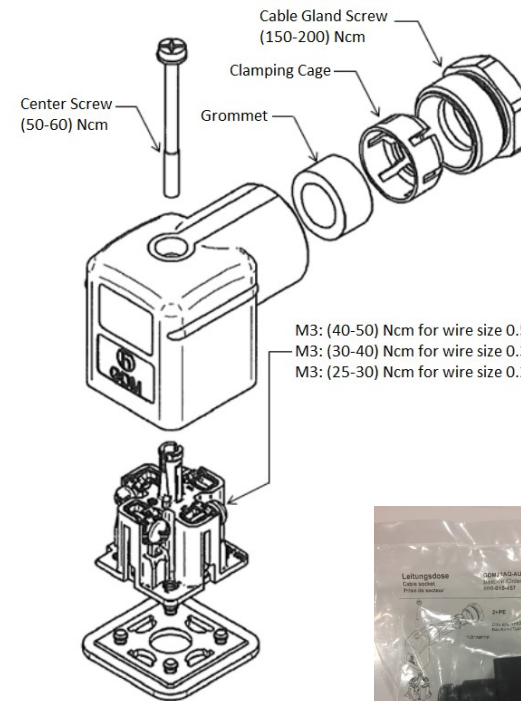
Materials	
Housing, gland screw	PA 66 GF / Black
Contact Bearer, Gland Screw, Cage	PA 6 GF / Black
Contact / Contact Plating	CuZn / Cu/Sn
Center Screw / Screw Size	Fe/Zn B / M 3x35
Gasket (temperature range)	NBR (-25° to +90° C)

Technical Data	
Standard	DIN EN 175301.803-A
No. of Contacts / Terminal Type	3 + PE / Screw
Rated Current	10 A, UL, VDE / 8 A, CSA
Rated Voltage (AC/DC)	300 V, UL, CSA / 250 V VDE
Protective Circuit	None
Conductor Size Range	0.25 mm ² (20 AWG) to... 1.5 mm ² (14 AWG)
Type of Connection	Screw Terminal
Approvals	UL 2238, CSA 22.2, VDE E349
Gland Outer Thread / Clamp Range	PG 11/ ϕ 8.0 mm to ϕ 10.0 mm
Packaging Type / Qty per Carton	Carton / 10 pieces bagged

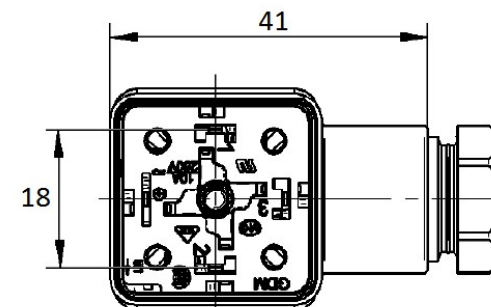
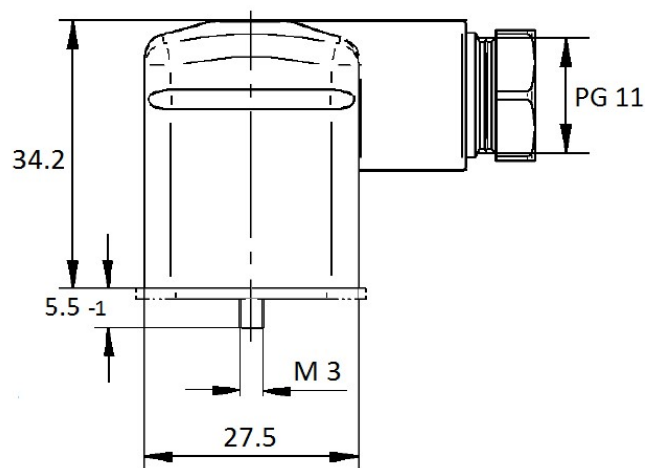
Environmental Conditions	
Temperature Range	-25° to +90° C
Protection Class	IP65, (IP67 with gasket)

Connector Face View	Circuitry Layout

Recommended Wire Stripping
<p>wire end sleeve L max: 7 mm</p> <p>25 ±1 PIN 1 - 3</p> <p>wire end sleeve L max: 7 mm</p> <p>40 ±1 PE</p>



M3: (40-50) Ncm for wire size 0.5mm² to 1.5mm²
M3: (30-40) Ncm for wire size 0.34mm²
M3: (25-30) Ncm for wire size 0.25mm²



Rev	A	RBS - 11/21/17	Notes
Order Code	15459	Description	GDM31AN-A0U-1KK