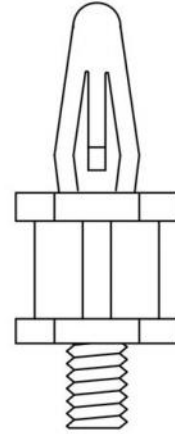
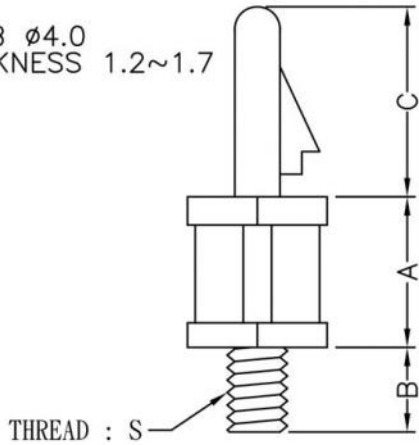


P.C.B ϕ 4.0
THICKNESS 1.2~1.7



| | | | |
|-----|-----|------|----------|
| A | B | C | S |
| 6.3 | 4.8 | 10.0 | 6-32 UNC |

| | |
|---|-----------|
| S | SCREW NUT |
|---|-----------|

All measurement does not include gate which raises under 0.3mm.

Akust Technology Co., Ltd
亞冠國際有限公司

| | | | | | |
|--------------------|-------|---------------|-------|------------|--|
| PART NUMBER | | AV01-0013-AKS | | SPEC. DWG. | |
| TITLE | | | | | |
| MATERIAL | | | | COLOR | |
| NYLON 66(UL) 94V-0 | | | | BLACK | |
| SIZE | SCALE | UNIT | CHECK | | |
| A4 | 2:1 | mm | Z.C | | |