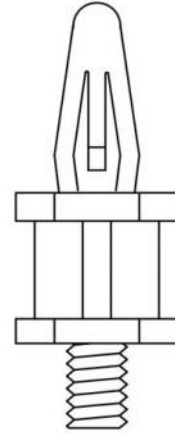
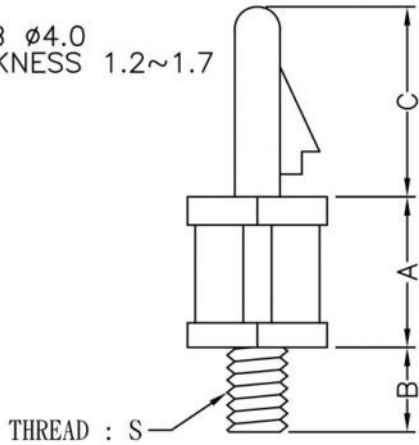


P.C.B $\phi 4.0$
THICKNESS 1.2~1.7



A	B	C	S
6.3	4.8	10.0	M3*0.5

S	SCREW NUT
---	-----------

All measurement does not include gate which raises under 0.3mm.

Akust Technology Co., Ltd
亞冠國際有限公司

PART NUMBER AV01-0022-AKS		SPEC. DWG.	
TITLE SPACER SUPPORT			
MATERIAL NYLON 66(UL) 94V-0		COLOR BLACK	
SIZE A4	SCALE 2:1	UNIT mm	CHECK Z.C