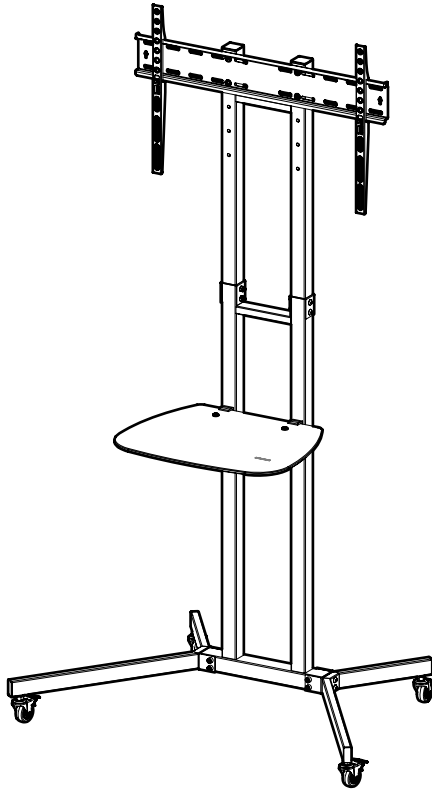


# PULSE

Wheeled TV Cart without MDF Base  
Model: PLSWTC1



[www.pulse-audio.co.uk](http://www.pulse-audio.co.uk)



Read through ALL instructions before commencing installation.

## IMPORTANT INFORMATION!

We advise that before starting the assembly of this product that you familiarise yourself with the instructions and the parts list in this leaflet.

### Do not's

Do not over tighten any part of this assembly.

Do not place hot or cold objects on to or close next to any glass surface unless the object is sufficiently insulated to prevent contact.

Do not strike the glass with hard or pointed items.

Do not sit or stand upon horizontal glass surfaces.

Do not use washing powders or other substances containing abrasives when cleaning the glass.

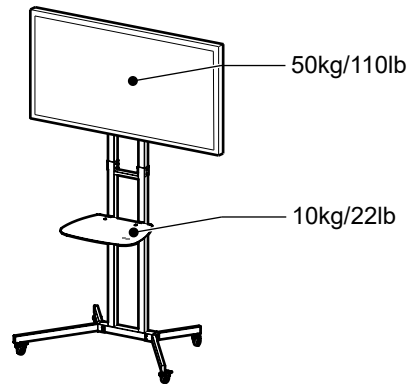
### Do's

Do use a damp cloth with diluted washing up liquid for cleaning the glass surfaces.

Check all nuts and bolts from time to time.

### Maximum TV weight and shelf capacities

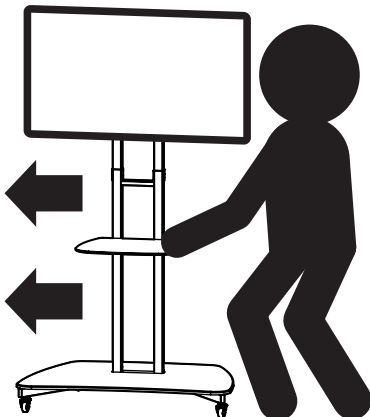
**WARNING:** Wherever possible distribute weight evenly.



## WARNING



Cart can tip over resulting in risk of injury. Move cart slowly.



Only adults (16+) should move the cart

---

Always push the side of the cart

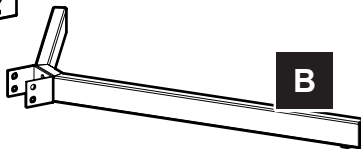
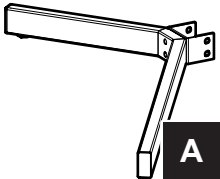
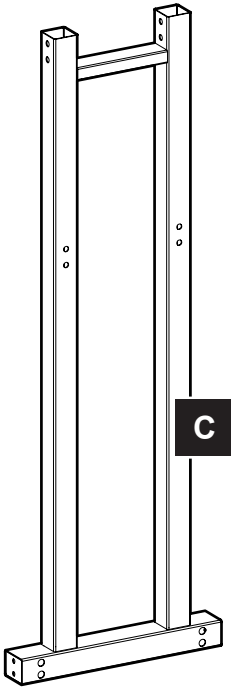
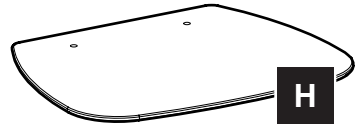
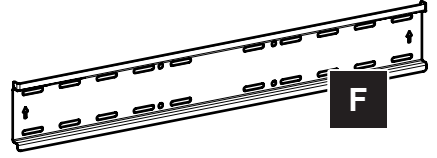
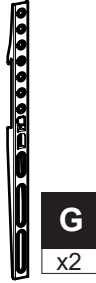
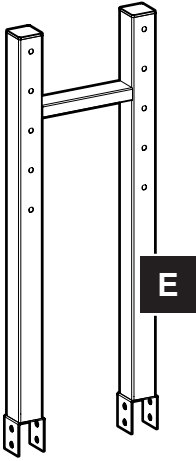
---

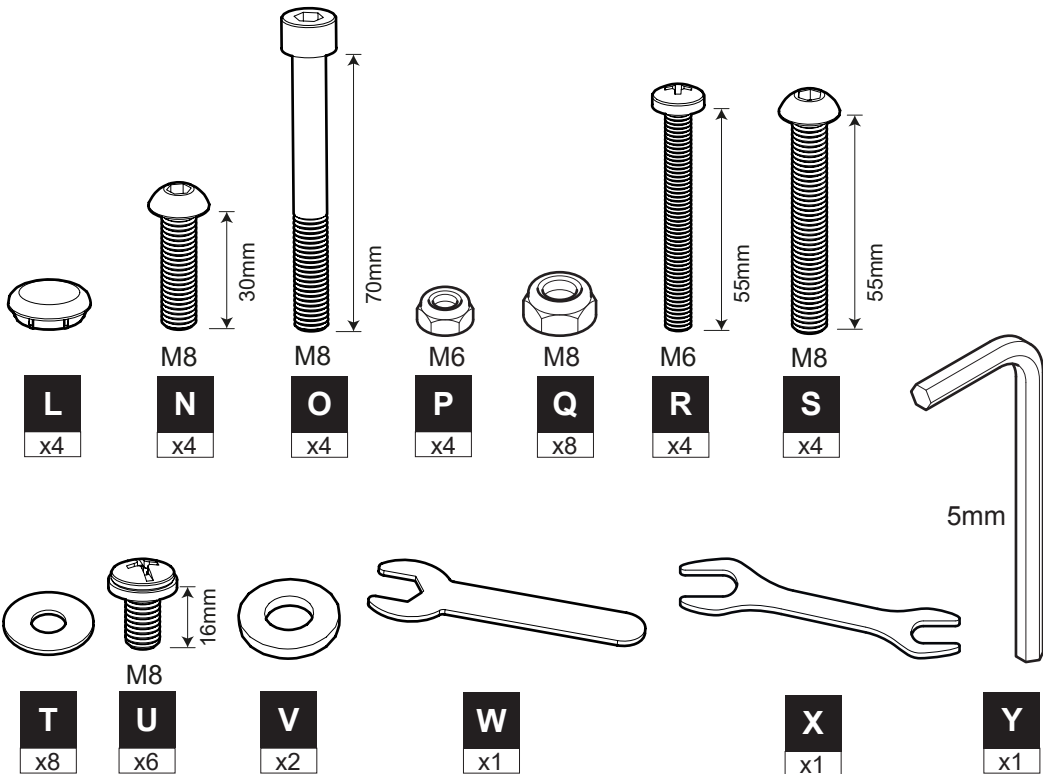
Never push top of cart - always push near middle

---

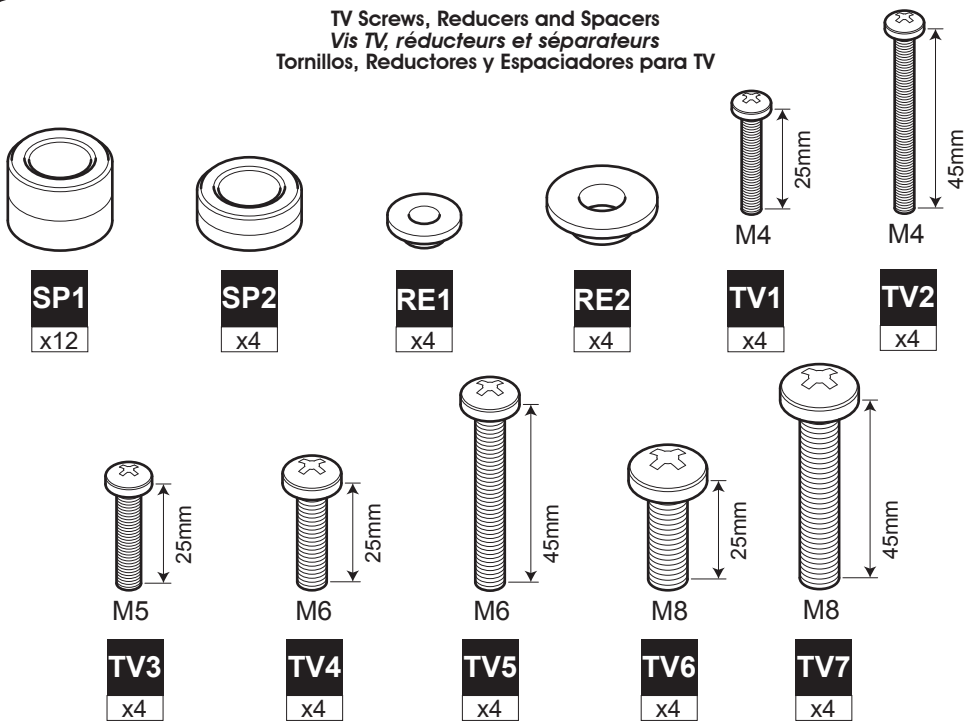
Push, don't pull

# Boxed Parts



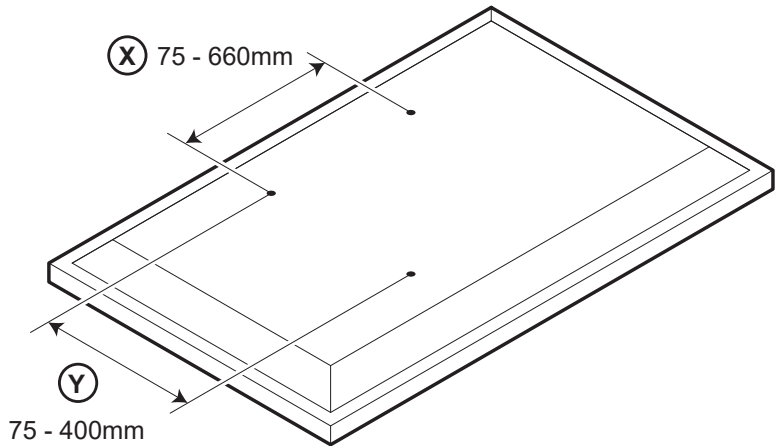


**TV Screws, Reducers and Spacers**  
*Vis TV, réducteurs et séparateurs*  
**Tornillos, Reductores y Espaciadores para TV**

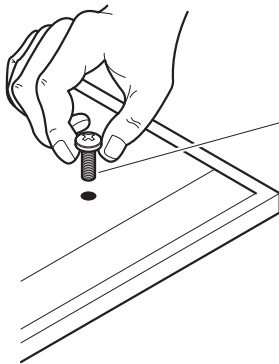


**1**

## Measure the TV fixing holes Width and Height



If width **(X)** is greater than 660mm or height **(Y)** greater than 400mm  
STOP installation now and contact the customer help line



**M4 = TV1/TV2**

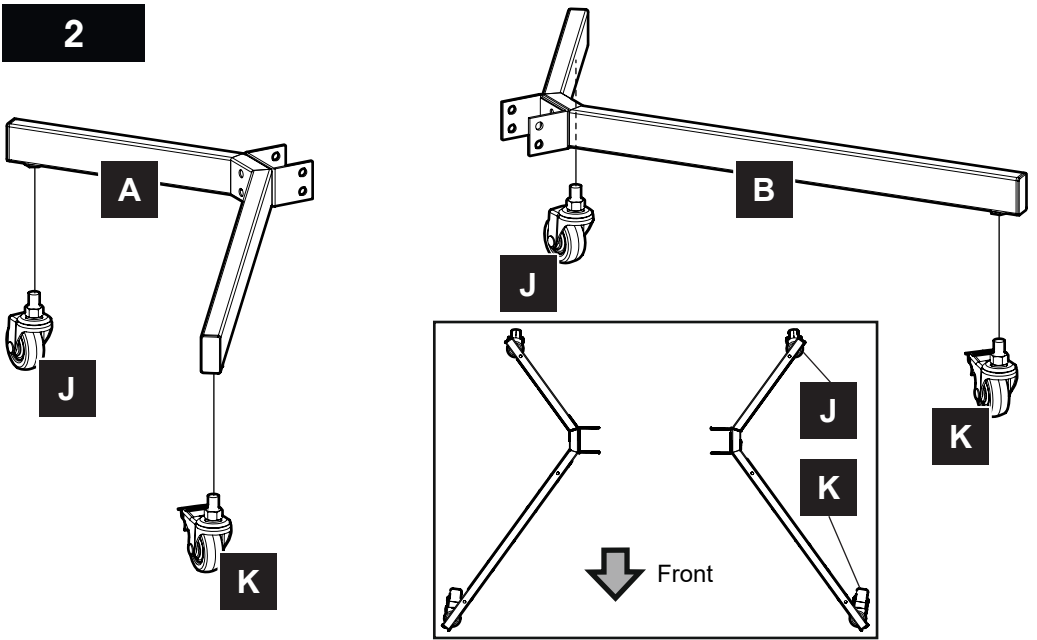
**M5 = TV3**

**M6 = TV4/TV5**

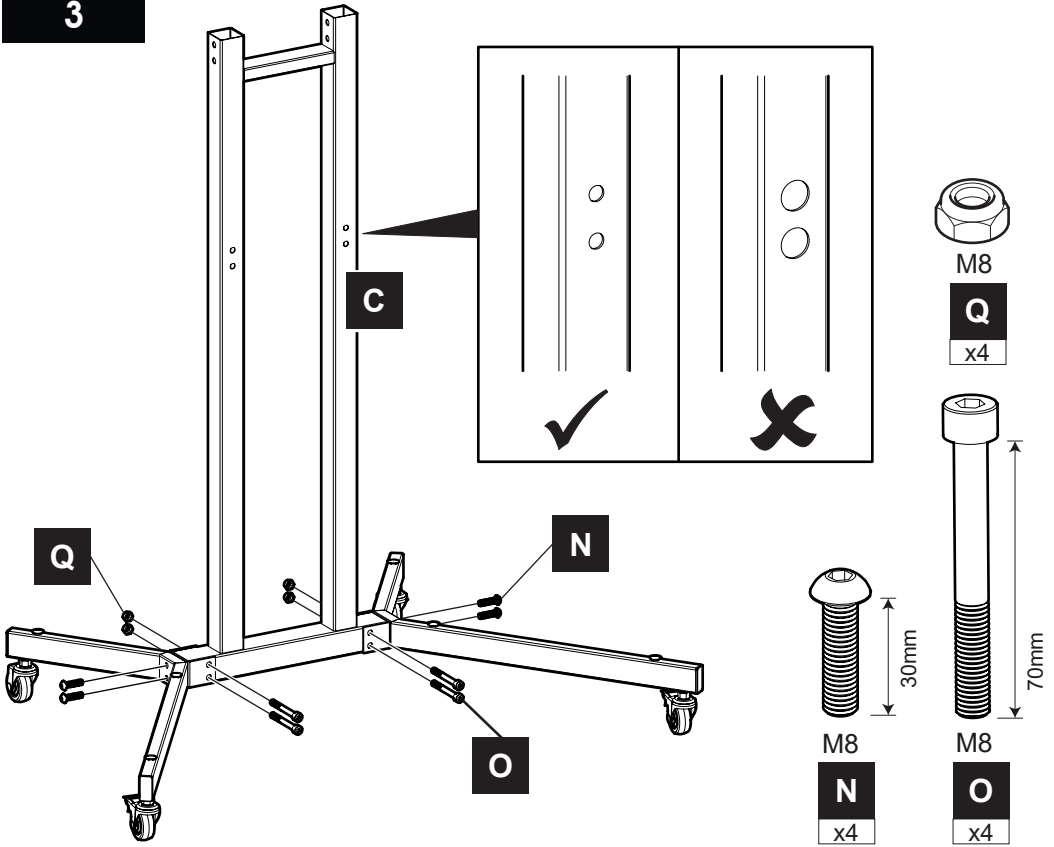
**M8 = TV6/TV7**

You are provided with 4 diameters of TV fixing screws, **M4**, **M5**, **M6** and **M8**.  
Determine the screw diameter that fits and remember for step 9.

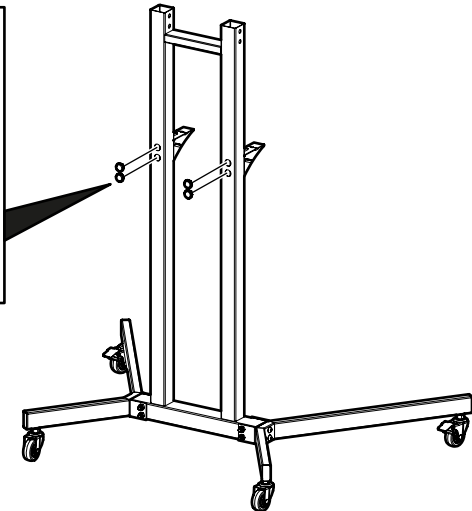
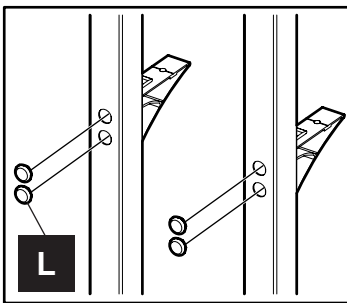
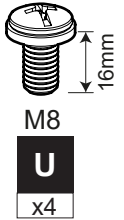
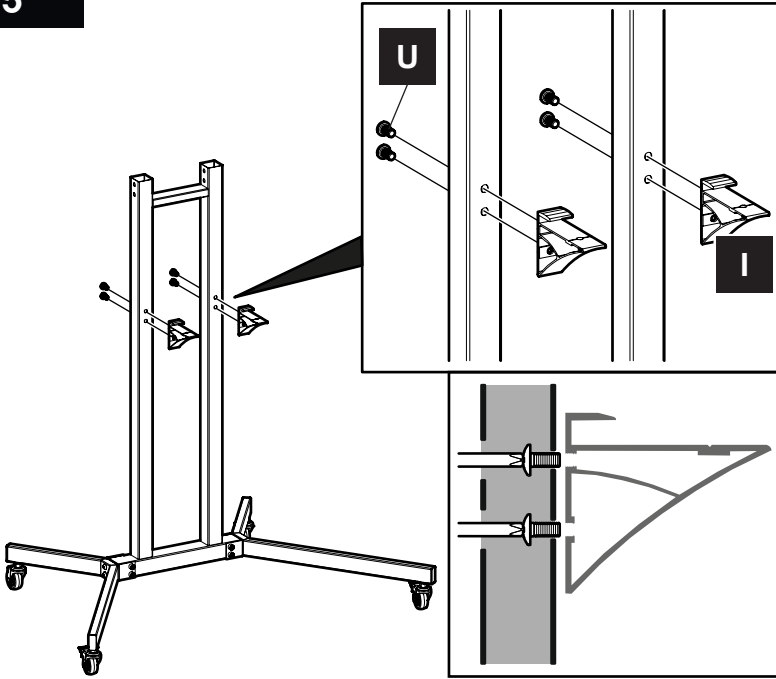
2

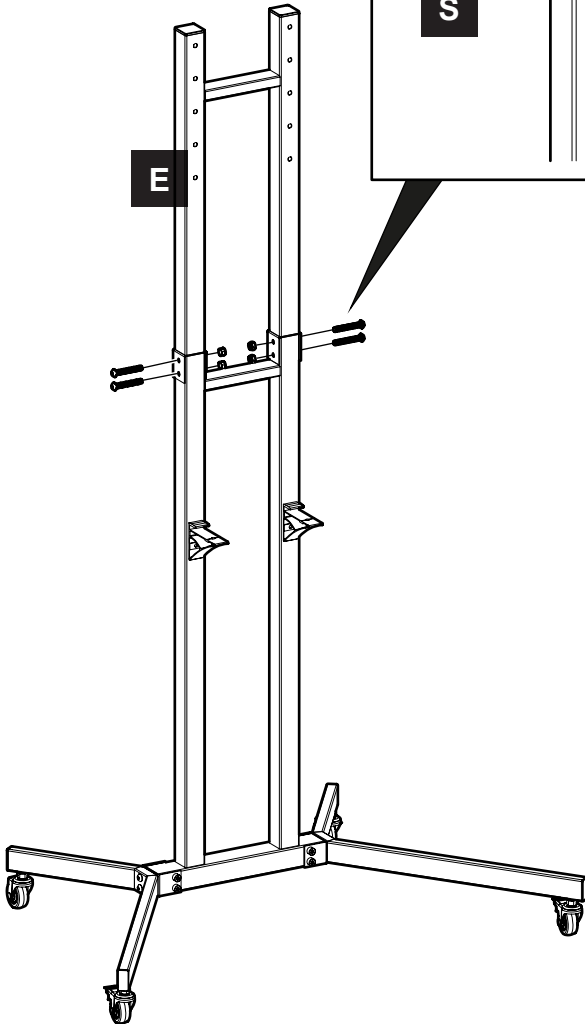
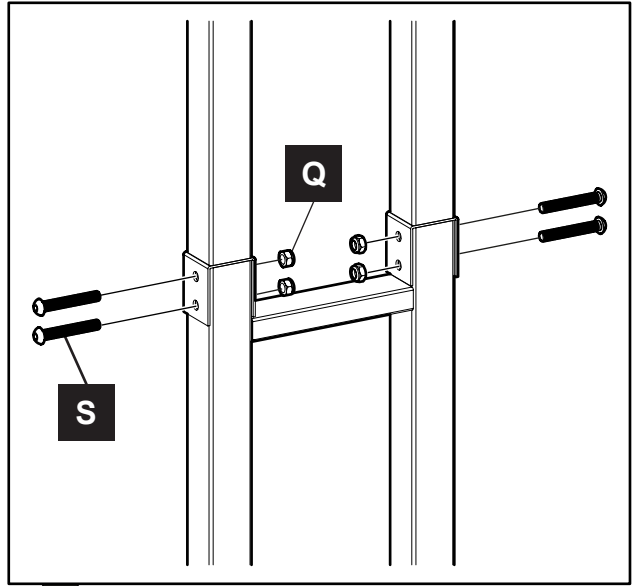


3



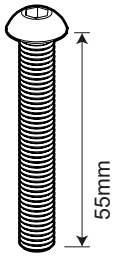
5





M8

Q  
x4

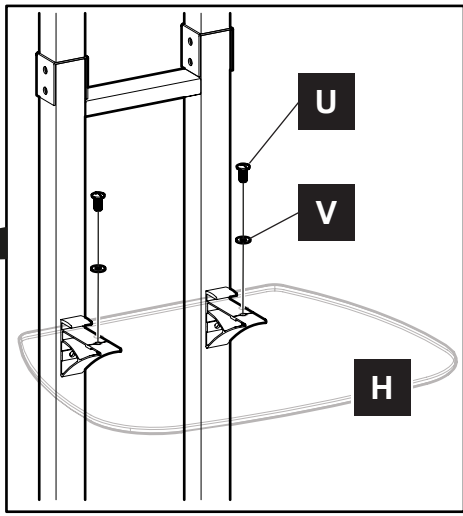
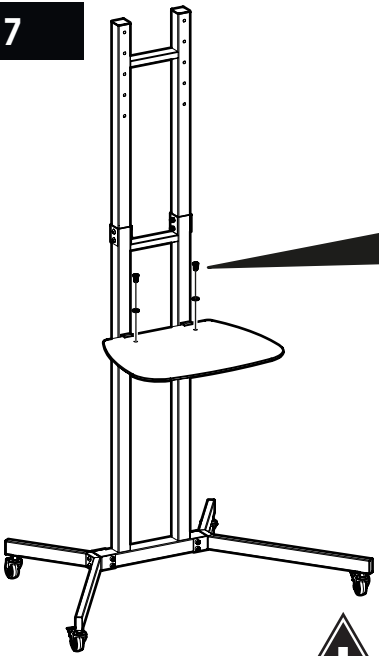


M8

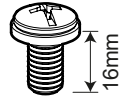
S  
x4



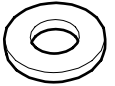
7



DO NOT overtighten



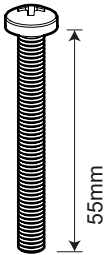
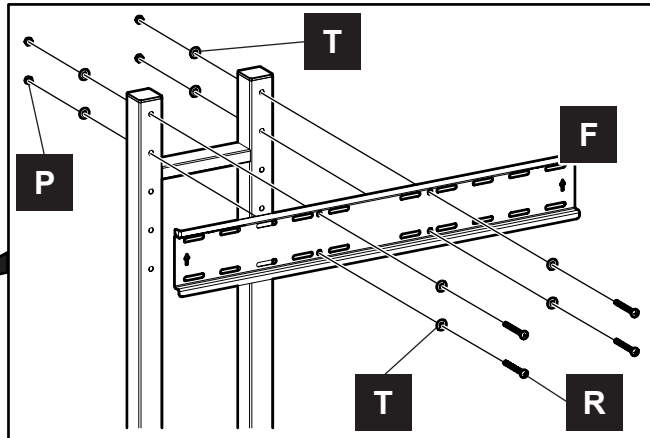
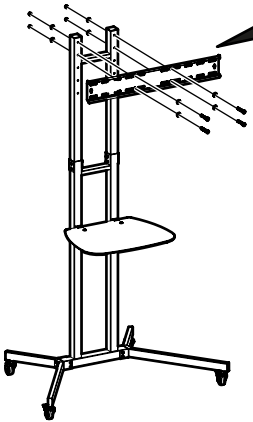
M8



**U**  
x2

**V**  
x2

8



M6



M6



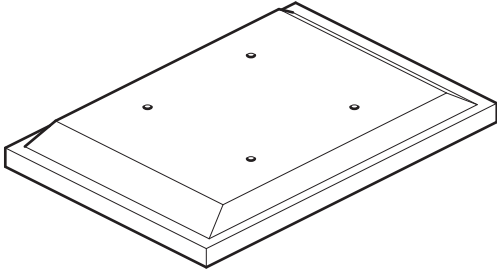
**P**  
x4

**T**  
x8

**R**  
x4

## No Spacers

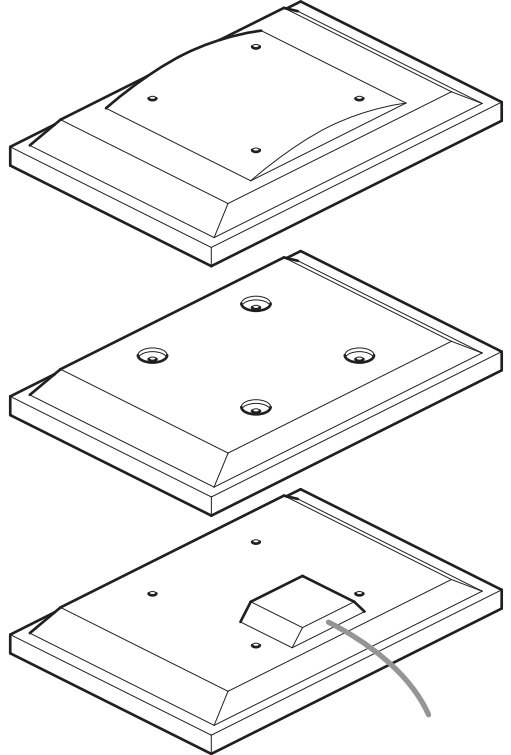
For TVs with flat / unobstructed back



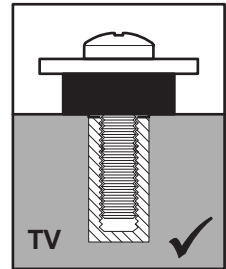
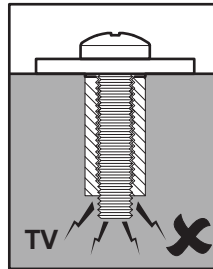
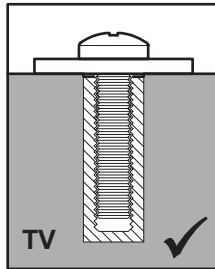
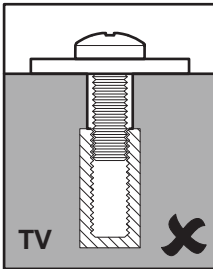
## Spacers

## SP1/SP2

For TVs with irregular / obstructed back



## WARNING



After completing step 9 you will have fittings left over, please keep for future reference

Attach the bracket to the back of your TV using suitable screw, reducer and spacer combinations

