



## Main

Range of product	Harmony
Product or component type	Programmable receiver
Device short name	ZBRRC
Product specific application	Interface to PLC
Function of module	Monostable
Reset time	2 ms (time delay)
Transmission frequency	2405 MHz
Level or class	5M00G7W
Antenna type	Omnidirectional

## Complementary

Output type	Transistor PNP
Output contacts	4 PNP
Time delay range	0.5 s (tolerance: - 15...15 %)
Maximum switching current	0.2 mA
[Us] rated supply voltage	24 V DC - 15...20 %
Voltage drop	<= 2 V DC at 2 A
Communication port protocol	Zigbee (green power) at 2.4 GHz conforming to IEEE 802.15.4
Maximum sensing distance	100 m (in free field) 25 m (transmitter in a plastic box type XAL D and receiver in a metal enclosure) 40 m (transmitter in box type XAL D, receiver in metal enclosure and use relay-antenna)
Response time	< 30 ms (after transmitter clicks)
Channels utilisation	<= 32 per receiver
Utilisation category	DC-13 conforming to EN/IEC 60947-5-1
Power consumption in VA	20 VA DC
Power consumption in W	20 W
Breaking capacity	4.8 W per output
Short-circuit protection	0.4 A fuse fast blow

Disclaimer: This documentation is not intended as a substitute for and is not to be used for determining suitability or reliability of these products for specific user applications

Operating position	Any position without derating
Electrical connection	1 conductor cable 0.14...2.5 mm <sup>2</sup> - AWG 26...AWG 14 - solid - without cable end conforming to IEC 60947-1 2 conductors cable 0.14...1.5 mm <sup>2</sup> - AWG 26...AWG 16 - solid - without cable end conforming to IEC 60947-1 1 conductor cable 0.14...4 mm <sup>2</sup> - AWG 26...AWG 12 - flexible - with cable end conforming to IEC 60947-1 2 conductors cable 0.14...1.5 mm <sup>2</sup> - AWG 26...AWG 16 - flexible - with cable end conforming to IEC 60947-1
Tightening torque	0.5...1 N.m conforming to EN/IEC 60947-1
Housing material	Self-extinguishing plastic
Status LED	1 LED, color: green for power ON 1 LED, color: green and yellow for reception signal 4 LEDs, color: green for relay ON
Rated short-duration power frequency withstand voltage	1 kV 50 Hz conforming to EN/IEC 60947-5-1
[Uimp] rated impulse withstand voltage	0.8 kV
Surge withstand	0.5 kV (differential mode) conforming to IEC 61000-4-5 1 kV (common mode) conforming to IEC 61000-4-5
Max power consumption in W	1 mW
Number of channels	1
Modulation technique	O-QPSK
Bandwidth	5 MHz
Antenna gain	0 dBi
Width	36 mm
Height	108 mm
Depth	75 mm
Product weight	0.13 kg

## Environment

Standards	EN/IEC 60947-5-1
Radio agreement	RSS SRRC ICASA ANATEL ARIB T66 FCC
Product certifications	CSA UL C-Tick CCC GOST
Marking	CE
Ambient air temperature for storage	-40...70 °C
Relative humidity	90 % at -20...55 °C without condensation conforming to ETSI EN 300 440-1
Vibration resistance	+/- 7.5 mm (f = 5...14 Hz) conforming to IEC 60068-2-6 2 gn (f = 8...150 Hz) conforming to IEC 60068-2-6
Shock resistance	10 gn (duration = 16 ms) 6000 shocks conforming to IEC 60068-2-27
IP degree of protection	IP20 on casing conforming to IEC 60529 IP20 on terminals
Pollution degree	2 conforming to IEC 60664-1
Overvoltage category	III conforming to IEC 60664-1
Insulation resistance	> 500 MOhm at 500 V DC conforming to NF C 20-030
[Ui] rated insulation voltage	< 60 V conforming to IEC 60664-1
Electromagnetic compatibility	Conducted RF disturbances (test level: 10 V) conforming to IEC 61000-4-6 Conducted emission conforming to EN 300-489-1 Immunity to microbreaks and voltage drops (test level: 7 ms) conforming to IEC 61000-4-11 Conducted and radiated emissions , class B conforming to CISPR 22 Electrostatic discharge immunity test (test level: 8 kV) in free air (in insulating parts) conforming to IEC 61000-4-2

Electrostatic discharge immunity test (test level: 6 kV) on contact (on metal parts) conforming to IEC 61000-4-2  
 Susceptibility to electromagnetic fields (test level: 10 V/m) 80...2000 MHz conforming to IEC 61000-4-3  
 Susceptibility to electromagnetic fields (test level: 3 V/m) 80...2700 MHz, distance = 20 m conforming to IEC 61000-4-3  
 Electrical fast transient/burst immunity test (test level: 2 kV) power supply wires conforming to IEC 61000-4-4  
 Radiated emission conforming to ETSI EN 300 440-1  
 Conducted emission conforming to ETSI EN 300 489-3  
 Radiated emission conforming to ETSI EN 300 440-2  
 Electrical fast transient/burst immunity test (test level: 1 kV) PNP output wires conforming to IEC 61000-4-4  
 1.2/50 µs shock waves immunity test (test level: 0.5 kV) differential mode conforming to IEC 61000-4-5  
 1.2/50 µs shock waves immunity test (test level: 1 kV) common mode conforming to IEC 61000-4-5  
 Immunity for industrial environments conforming to EN/IEC 61000-6-2

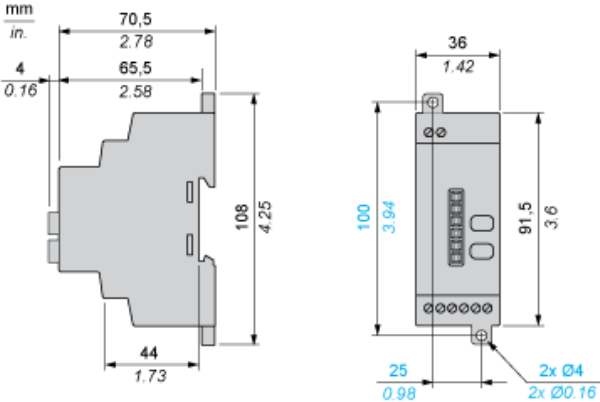
## Offer Sustainability

Sustainable offer status	Green Premium product
RoHS (date code: YYWW)	Compliant - since 1113 - Schneider Electric declaration of conformity <a href="#">Schneider Electric declaration of conformity</a>
REACH	Reference not containing SVHC above the threshold <a href="#">Reference not containing SVHC above the threshold</a>
Product environmental profile	Available <a href="#">End of life manual</a>
Product end of life instructions	Available

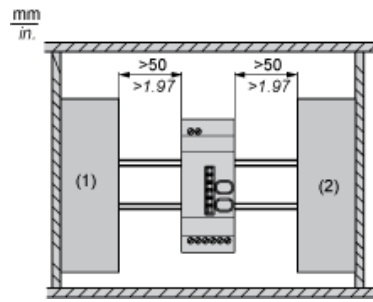
## Contractual warranty

Warranty period	18 months
-----------------	-----------

Programmable Receiver

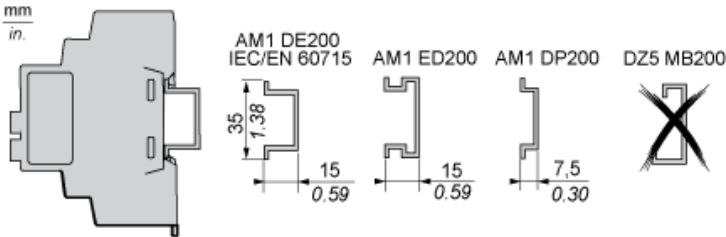


## Receiver Clearance



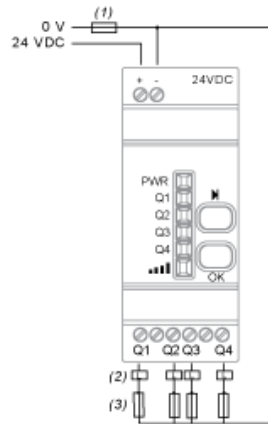
- (1) Drive
- (2) Power Supply or PLC

Receiver Mounting



## Programmable Receiver

### Wiring Diagram



- (1) 400 mA fast-blow fuse
- (2)  $I_{max} = 200 \text{ mA}$
- (3)  $I_{max} = 300 \text{ mA}$