

Main

Range	TeSys
Product name	TeSys D
Product or component type	Star delta starter
Device short name	LC3D
Contactor application	Motor control
Utilisation category	AC-3
Device presentation	Pre-wired
Poles description	3 x 3P
Pole contact composition	3 x 3 NO
[Ue] rated operational voltage	<= 690 V AC 25...400 Hz for power circuit
[Ie] rated operational current	18 A (<= 60 °C) AC AC-3 for power circuit at <= 440 V
Motor power kW	11 kW at 220/230 V AC 50/60 Hz 22 kW at 415 V AC 50/60 Hz 22 kW at 440 V AC 50/60 Hz 18.5 kW at 380/400 V AC 50/60 Hz
Control circuit type	AC 50/60 Hz
[Uc] control circuit voltage	230 V AC 50/60 Hz
Auxiliary contact composition	1 NC for KM1 star contactor
[Uimp] rated impulse withstand voltage	6 kV conforming to IEC 60947
Overvoltage category	III
[Ui] rated insulation voltage	690 V conforming to IEC 60947-4-1 power circuit 600 V certifications CSA power circuit 600 V certifications UL power circuit 690 V conforming to IEC 60947-1 signalling circuit 600 V certifications CSA signalling circuit 600 V certifications UL signalling circuit
Electrical durability	1.65 Mcycles 18 A AC-3 <= 440 V
Provided equipment	Protective cover
Interlocking type	Mechanical
Mounting support	Plate

Disclaimer: This documentation is not intended as a substitute for and is not to be used for determining suitability or reliability of these products for specific user applications

Standards	EN 60947-5-1 IEC 60947-5-1 CSA C22.2 No 14 UL 508 EN 60947-4-1 IEC 60947-4-1
Product certifications	CSA CCC GOST LROS (Lloyds register of shipping) GL RINA DNV BV UL

Complementary

Connections - terminals	Screw clamp terminals for control circuit 1 1...4 mm ² flexible without cable end Screw clamp terminals for control circuit 2 1...4 mm ² flexible without cable end Screw clamp terminals for control circuit 1 1...4 mm ² flexible with cable end Screw clamp terminals for control circuit 2 1...2.5 mm ² flexible with cable end Screw clamp terminals for control circuit 1 1...4 mm ² solid without cable end Screw clamp terminals for control circuit 2 1...4 mm ² solid without cable end Screw clamp terminals for power circuit 1 1.5...6 mm ² flexible without cable end Screw clamp terminals for power circuit 2 1.5...6 mm ² flexible without cable end Screw clamp terminals for power circuit 1 1...6 mm ² flexible with cable end Screw clamp terminals for power circuit 2 1...4 mm ² flexible with cable end Screw clamp terminals for power circuit 1 1.5...6 mm ² solid without cable end Screw clamp terminals for power circuit 2 1.5...6 mm ² solid without cable end
Tightening torque	1.7 N.m for power circuit screw clamp terminals flat Ø 6 mm 1.7 N.m for power circuit screw clamp terminals Philips No 2 1.7 N.m for control circuit screw clamp terminals flat Ø 6 mm 1.7 N.m for control circuit screw clamp terminals Philips No 2
Operating rate	30 cyc/h at ≤ 60 °C
Starting time	30 s
Coil technology	Without built-in suppressor module
Control circuit voltage limits	0.3...0.6 U _c at 60 °C drop-out 50/60 Hz 0.8...1.1 U _c at 60 °C operational 50 Hz 0.85...1.1 U _c at 60 °C operational 60 Hz
Inrush power in VA	70 VA at 20 °C 0.75 60 Hz 70 VA at 20 °C 0.75 50 Hz
Hold-in power consumption in VA	7.5 VA at 20 °C 0.3 60 Hz 7 VA at 20 °C 0.3 50 Hz
Heat dissipation	2...3 W at 50/60 Hz
Auxiliary contacts type	Mechanically linked conforming to IEC 60947-5-1 3 x 1 NO + 1 NC Mirror contact conforming to IEC 60947-4-1 3 x 1 NC
Signalling circuit frequency	25...400 Hz
Minimum switching current	5 mA for signalling circuit
Switching voltage	17 V for signalling circuit
Non-overlap time	1.5 ms on energisation between NC and NO contact 1.5 ms on de-energisation between NC and NO contact
Width	144 mm
Height	124 mm
Depth	143 mm
Product weight	1.73 kg

Environment

Insulation resistance	> 10 MOhm for signalling circuit
IP degree of protection	IP20 front face conforming to IEC 60529
Protective treatment	TH conforming to IEC 60068-2-30
Pollution degree	3
Ambient air temperature for storage	-60...80 °C

Ambient air temperature for operation	-40...70 °C at Uc
Operating altitude	3000 m without derating in temperature
Fire resistance	850 °C conforming to IEC 60695-2-1
Flame retardance	V1 conforming to UL 94
Mechanical robustness	Vibrations contactor open 2 Gn, 5...300 Hz Vibrations contactor closed 4 Gn, 5...300 Hz Shocks contactor open 10 Gn for 11 ms Shocks contactor closed 15 Gn for 11 ms

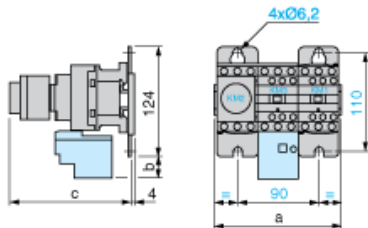
Offer Sustainability

Sustainable offer status	Green Premium product
RoHS (date code: YYWW)	Compliant - since 0845 - Schneider Electric declaration of conformity Schneider Electric declaration of conformity
REACH	Reference not containing SVHC above the threshold Reference not containing SVHC above the threshold
Product environmental profile	Available Product environmental
Product end of life instructions	Available End of life manual

Contractual warranty

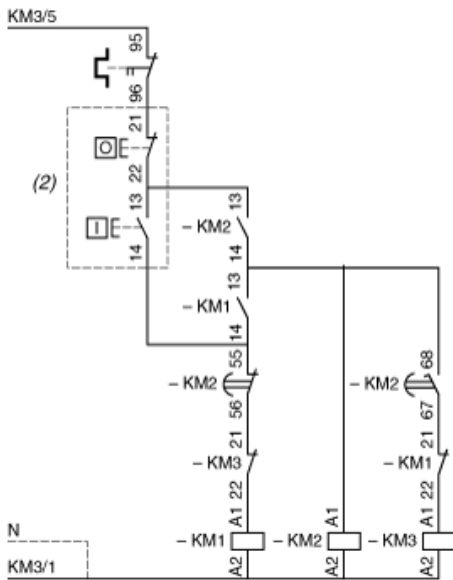
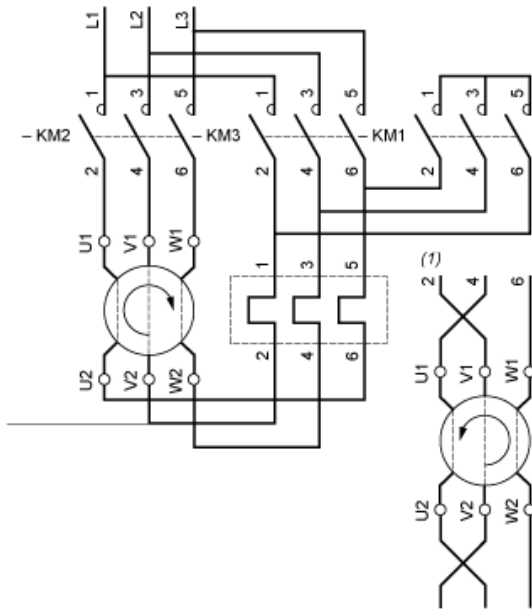
Warranty period	18 months
-----------------	-----------

Dimensions



LC3		D09A	D12A	D18A	D32A
a		143	143	144	165
b		26.5	26.5	26.5	32.5
c	with LAD S	139	139	139	145
with LAD S and sealing cover	143	143	143	149	

Wiring



- (1) Recommended cabling for reversal of motor rotation (standard motor, viewed from shaft end).
- (2) Remote control.

NOTE: LC3 D09A to D18A: Mechanical interlock between KM3 and KM1.

Our Proposal - Type 1 : Circuit Breaker + Contactor for Motor Power from 15 to 18,5 kW and 415 VAC

Motor power (kW)	ICU (kA)	Breaker	Contactor (*)
15	10	 GV2ME32	 LC3D18AP7
18.5	50	 GV3P40	 LC3D18AP7

Non contractual pictures.

Type 1 coordination requires that in a short-circuit condition, the contactor or starter must not present any danger to personnel or installations and must not be able to resume operation without repair or the replacement of parts.