

### Main

Range of product	Preventa Safety automation
Product or component type	Preventa safety module
Safety module name	XPSAC
Safety module application	For emergency stop and switch monitoring
Function of module	Switch monitoring Emergency stop
Safety level	Can reach PL e/category 4 conforming to EN/ISO 13849-1 Can reach SILCL 3 conforming to EN/IEC 62061
Safety reliability data	DC > 99 % conforming to EN/ISO 13849-1 MTTFd = 210.4 years conforming to EN/ISO 13849-1 PFHd = 3.56E-9 1/h conforming to EN/IEC 62061
Type of start	Unmonitored
Connections - terminals	Captive screw clamp terminals, clamping capacity: 2 x 0.5...2 x 1.5 mm <sup>2</sup> flexible cable with cable end, with double bezel Captive screw clamp terminals, clamping capacity: 1 x 0.14...1 x 2.5 mm <sup>2</sup> flexible cable with cable end, with double bezel Captive screw clamp terminals, clamping capacity: 1 x 0.14...1 x 2.5 mm <sup>2</sup> solid cable with cable end, with double bezel Captive screw clamp terminals, clamping capacity: 1 x 0.25...1 x 1.5 mm <sup>2</sup> flexible cable with cable end, with double bezel Captive screw clamp terminals, clamping capacity: 1 x 0.25...1 x 2.5 mm <sup>2</sup> flexible cable with cable end, with double bezel Captive screw clamp terminals, clamping capacity: 2 x 0.14...2 x 0.75 mm <sup>2</sup> flexible cable with cable end, with double bezel Captive screw clamp terminals, clamping capacity: 2 x 0.14...2 x 0.75 mm <sup>2</sup> solid cable with cable end, with double bezel Captive screw clamp terminals, clamping capacity: 2 x 0.25...2 x 1 mm <sup>2</sup> flexible cable with cable end, with double bezel
Output type	Relay instantaneous opening 3 NO, volt-free
Number of additional circuits	1 solid state output
[Us] rated supply voltage	230 V AC (- 15...10 %)

### Complementary

Supply frequency	50/60 Hz
Power consumption in VA	<= 6 VA AC
[Uc] control circuit voltage	230 V
Breaking capacity	C300 : 180 VA, AC-15 (holding) for relay output

C300 : 1800 VA, AC-15 (inrush) for relay output

Breaking capacity	1.5 A at 24 V (DC-13) time constant: 50 ms for relay output
Output thermal current	6 A per relay for relay output
[I <sub>th</sub> ] conventional free air thermal current	10.5 A
Associated fuse rating	4 A fuse type gG or gL for relay output conforming to EN/IEC 60947-5-1, DIN VDE 0660 part 200 6 A fuse type fast blow for relay output conforming to EN/IEC 60947-5-1, DIN VDE 0660 part 200
Minimum output current	10 mA for relay output
Minimum output voltage	16 V for relay output
Response time on input open	<= 100 ms
[U <sub>i</sub> ] rated insulation voltage	300 V (degree of pollution: 2) conforming to DIN VDE 0110 part 1 300 V (degree of pollution: 2) conforming to IEC 60947-5-1
[U <sub>imp</sub> ] rated impulse withstand voltage	4 kV overvoltage category III conforming to IEC 60947-5-1 4 kV overvoltage category III conforming to DIN VDE 0110 part 1
Local signalling	2 LEDs
Current consumption	25 mA at 230 V AC (on power supply)
Mounting support	35 mm symmetrical DIN rail
Product weight	0.21 kg

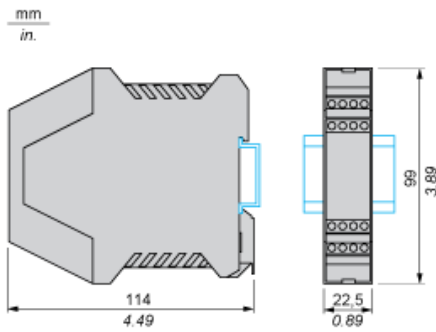
## Environment

Standards	EN 60204-1 EN/IEC 60947-5-1 EN 1088/ISO 14119 EN/ISO 13850
Product certifications	CSA TÜV UL
IP degree of protection	IP20 (terminals) conforming to EN/IEC 60529 IP40 (enclosure) conforming to EN/IEC 60529
Ambient air temperature for operation	-10...55 °C
Ambient air temperature for storage	-25...85 °C

## Contractual warranty

Warranty period	18 months
-----------------	-----------

Dimensions



## Wiring Diagrams

### Refer to the Instruction Sheet

To download the instruction sheet, follow below procedure:

**XPSAC5121**  
module XPSAC - Emergency stop - 24 V AC DC  
[Download XPSAC5121 product datasheet](#)

Download & Documents 1 to 3 of 3 (Total: -1)

**Instruction sheet**

XPSAC... Safety module for emergency stop and switch monitoring	English 2012-07-04	pdf (29)
---	--------------------	----------

**Image of product**

Emergency stop and switch monitoring	2010-11-10	(Select :)
--------------------------------------	------------	------------

**Certificate**

Russian certificate	English 2010-07-07	pdf (60)
---------------------	--------------------	----------

1

2

- 1 Click on Download & Documents.
- 2 Click on Instruction sheet.