

## Main

Range of product	OsiSense XU
Series name	Application tertiary sector
Electronic sensor type	Photo-electric sensor
Product specific application	Access detection
Sensor name	XUK
Sensor design	Compact 50 x 50
Additional information	French/English leaflet
Material	Plastic
Detection system	Reflex
Emission	Infrared reflex
[Sn] nominal sensing distance	7 m with 50 x 50 mm reflector
Wiring technique	5-wire
Cable length	2 m

## Complementary

Kit composition	50 x 50 mm reflector Reflex system photo-electric sensor Mounting instructions Fixing bracket
Enclosure material	PBT
Lens material	PMMA
Type of output signal	Discrete
Output type	Relay
Discrete output type	1 C/O
Output function governance	Light
Electrical connection	Cable
Wire insulation material	PVC
Status LED	1 LED for output state
Supply circuit type	AC/DC
[Us] rated supply voltage	24...240 V AC/DC with reverse polarity protection
Supply voltage limits	20...264 V AC/DC
Output voltage	250 V AC

Switching capacity in mA	3 A
Switching frequency	< 20 Hz
Power consumption in W	2 W
Delay first up	<= 60 ms
Delay response	<= 25 ms
Delay recovery	<= 25 ms
Product weight	0.3 kg

## Environment

Product certifications	UL CSA CE
Ambient air temperature for operation	-25...55 °C
Ambient air temperature for storage	-40...70 °C
Vibration resistance	7 gn, amplitude = +/- 1.5 mm (f = 10...55 Hz) conforming to IEC 60068-2-6
Shock resistance	30 gn (duration = 11 ms) conforming to IEC 60068-2-27
IP degree of protection	IP65 (double insulation) conforming to IEC 60529

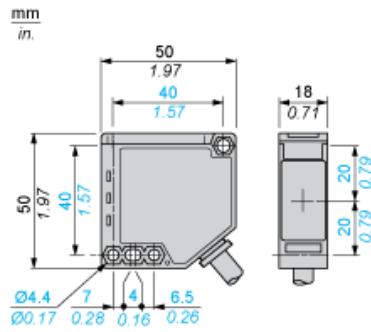
## Offer Sustainability

Sustainable offer status	Not Green Premium product
RoHS (date code: YYWW)	Compliant - since 0927 - Schneider Electric declaration of conformity <a href="#">Schneider Electric declaration of conformity</a>

## Contractual warranty

Warranty period	18 months
-----------------	-----------

Dimensions

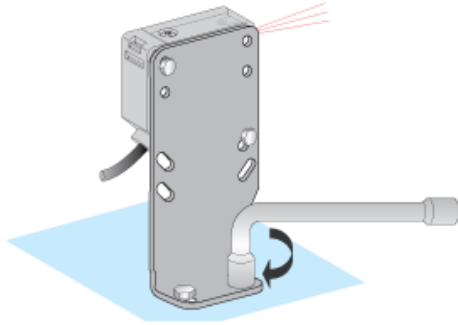


---

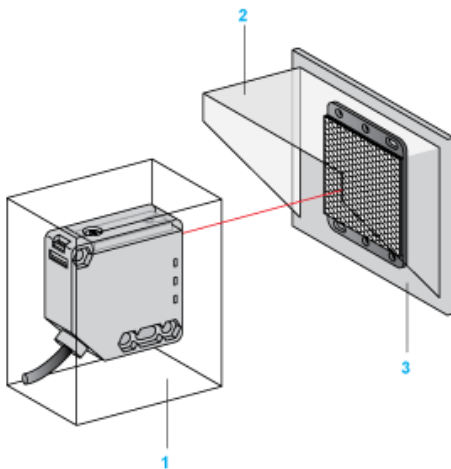
Mounting Precautions

---

Rigid Fixing for Trouble Free Detection



Outdoor Mounting under Protective Cover



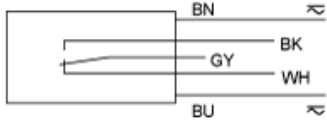
- (1) Protective housing
- (2) Lens hood
- (3) Thermal insulator to avoid frost or condensation forming on the optical parts

---

Wiring Schemes

---

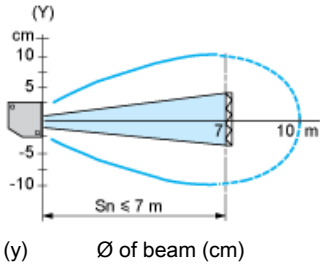
5-Wire AC or DC



BN : Brown  
WH : White  
BU : Blue  
BK : Black  
GY : Grey

Detection Curves

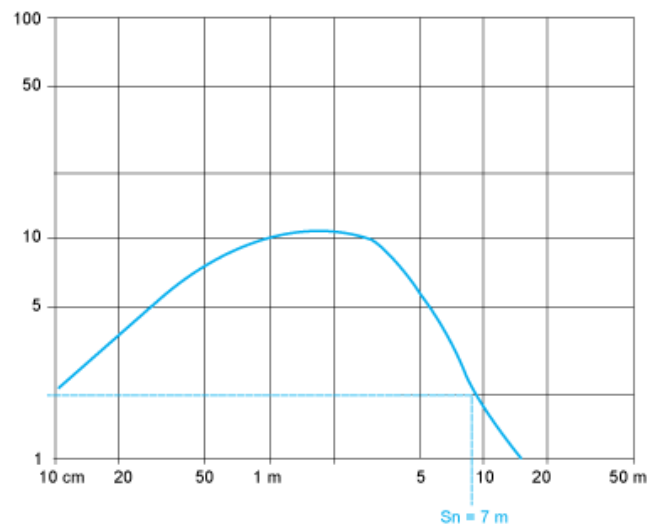
Reflex System AC or DC



Detection Curves

Reflex System AC or DC

With reflector XUZC50



(y) Gain