

Würth Elektronik eiSos GmbH & Co. KG

EMC & Inductive Solutions

Max-Eyth-Straße 1 · 74638 Waldenburg · Germany

Tel. +49 (0) 79 42 945-0 · Fax +49 (0) 79 42 945-400

eiSos@we-online.de · www.we-online.de



Product/Process Change Notice (PCN)

- Major change
 Minor change

PCN #: PCN_ConMJ_20180319

Product Affected: ConMJ

PCN Date: December 19th, 2017Effective Date: March 19th, 2018

Contact: Product Management

Phone: +49 (0) 7942 - 945 5001

Fax: +49 (0) 7942 - 945 5179

E-mail: pcn.eiCan@we-online.de

- Product Mark
 Date Code
 Packaging
 Others

Attachment: Yes No

Samples:

DESCRIPTION AND PURPOSE OF CHANGE:

For process improvement purposes, Würth elektronik will transfer manufacturing site of the below references leading to minor evolution in design.

- SMT Shielded 8P8C series: 634 008 149 721; 634 008 149 821; 634 008 137 521
- SMT Plastic Vertical solder Tab series: 634 104 149 621; 634 106 149 621; 634 108 149 621
- 615 008 138 321

The production site can be identified by the first three digits of the lot number:

Current production line: 225

New production line: 425

Würth Elektronik eiSos GmbH & Co. KG

EMC & Inductive Solutions

Max-Eyth-Straße 1 · 74638 Waldenburg · Germany

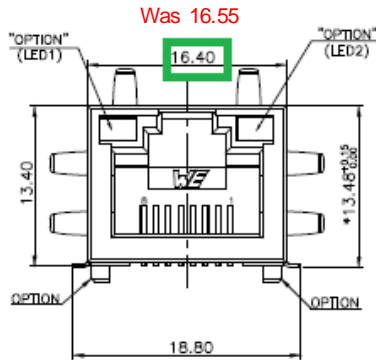
Tel. +49(0)79 42 945-0 · Fax +49(0)79 42 945-400

eiSos@we-online.de · www.we-online.de

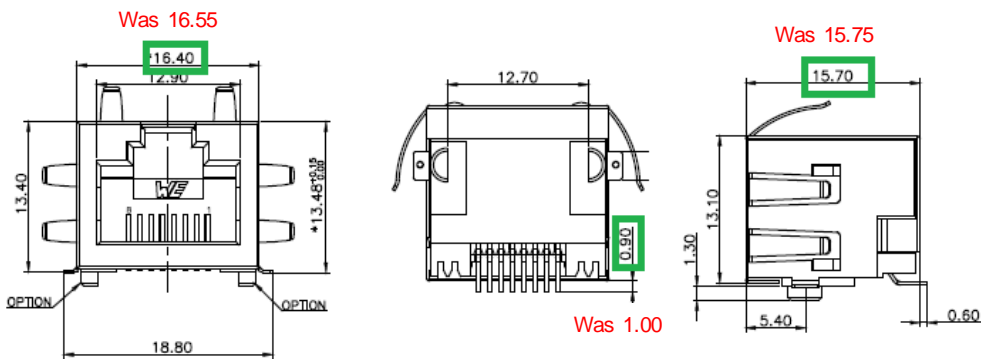


DETAIL OF CHANGES:

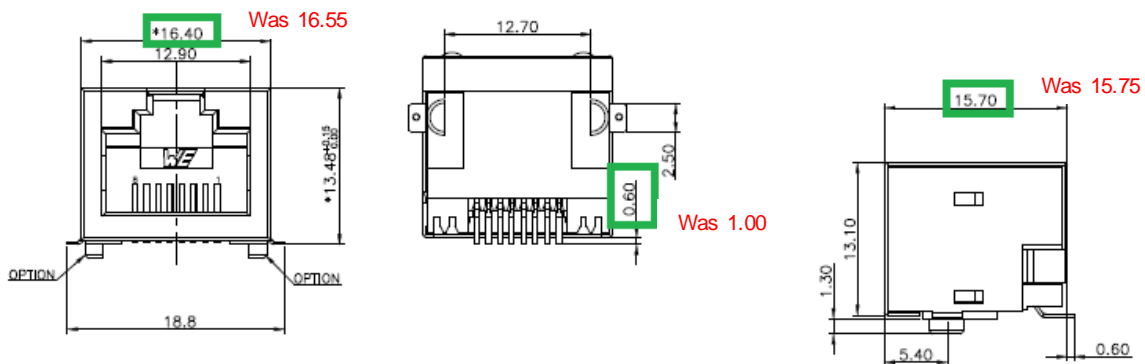
P/N 634 008 137 521



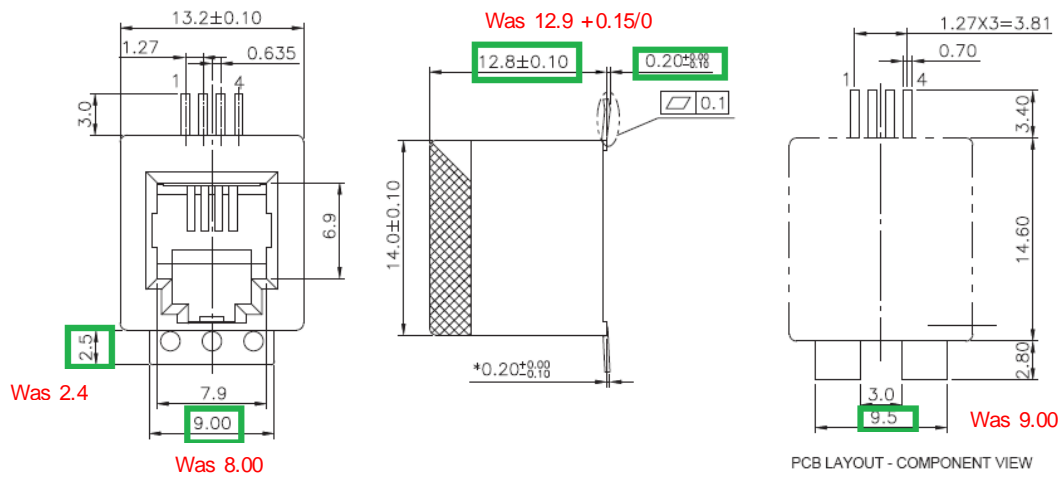
P/N 634 008 149 721



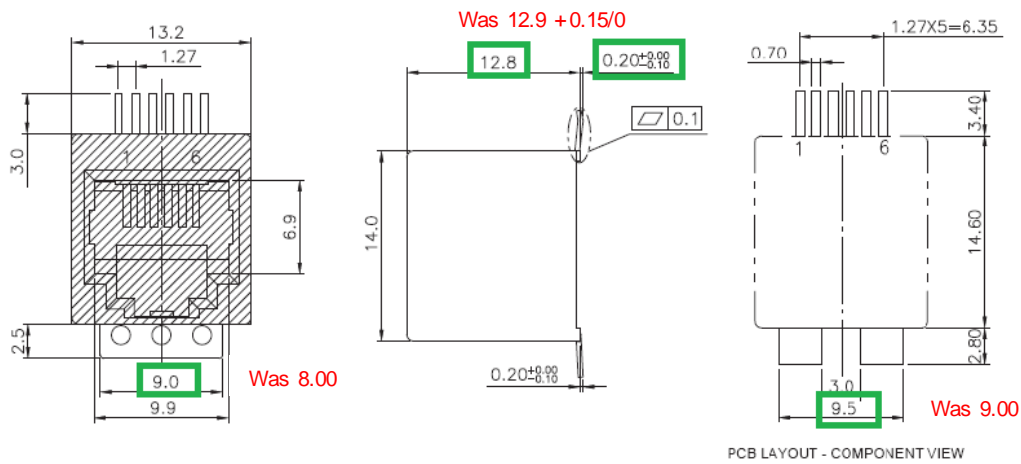
P/N 634 008 149 821



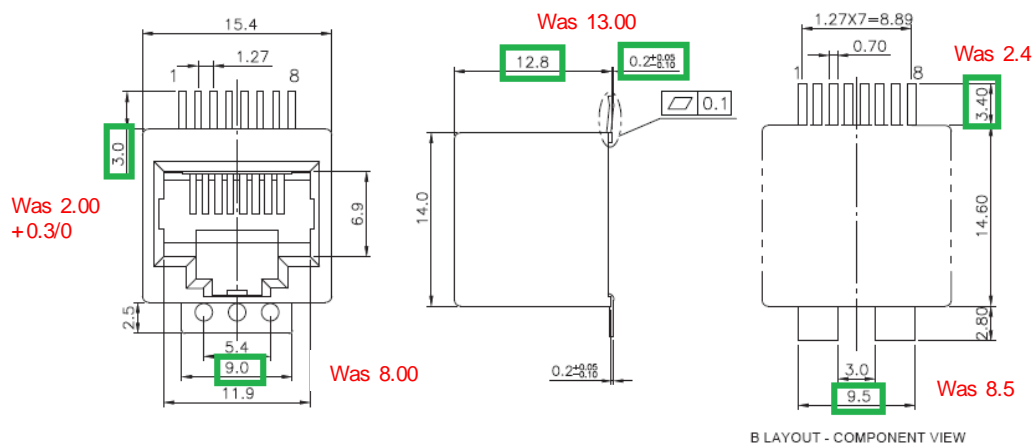
634 104 149 621



P/N 634 106 149 621



P/N 634 108 149 621



P/N 615 008 137 321

No Change in design

Würth Elektronik eiSos GmbH & Co. KG

EMC & Inductive Solutions

Max-Eyth-Straße 1 · 74638 Waldenburg · Germany

Tel. +49 (0) 79 42 945-0 · Fax +49 (0) 79 42 945-400

eiSos@we-online.de · www.we-online.de



RELIABILITY / QUALIFICATION SUMMARY:

Product approval is according to the specification and is internally released by the Product Management Department.

DATA SHEET CHANGE:

Yes

No