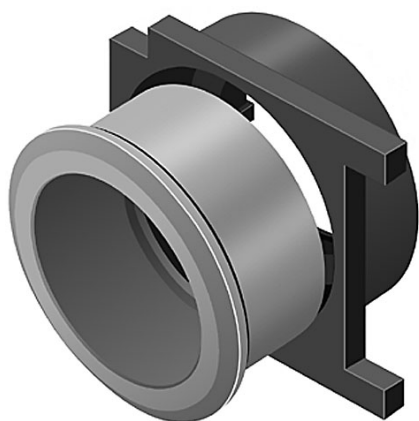


EAO – Your Expert Partner for Human Machine Interfaces

61-9932.0 - Front bezel set for keylock switch, flush design

61-9932.0 - Front bezel set for keylock switch, flush design



Attention: The preview is based on a sample product. This can differ from your current configuration.

Mounting

Mounting cut-out
Design

Ø 22,3 mm
flush

Front

Front dimension
Front bezel material
Front bezel colour
Front shape

Ø 25 mm
Aluminium
natural anodized
round

Other Attributes

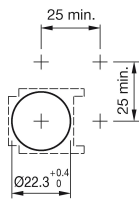
Weight

0,006 kg

EAO – Your Expert Partner for Human Machine Interfaces

61-9932.0 - Front bezel set for keylock switch, flush design

Mounting cut-outs



Additional information

Pitch of the front plate mounting holes must agree with the printed circuit board holes $\varnothing 3.5$

For the round front bezel sets the anti-twist ring is part of the sales-package

The colour of anodized aluminium parts can vary due to technical production reasons