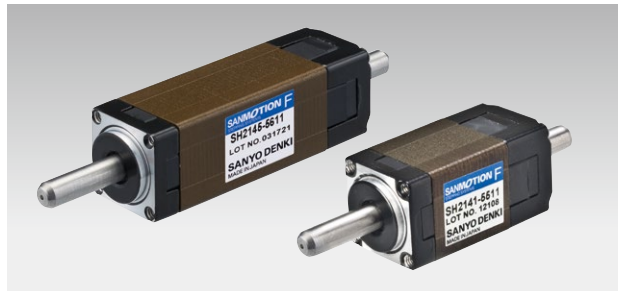


SANMOTION F2

2-PHASE STEPPING SYSTEMS

Compact 2-Phase Stepping Motor



14 mm sq.

1.8° /step **Ultra-compact** **RoHS**
Bipolar winding, Lead wire type

Customizing

- Hollow shaft
- Shaft modification

Varies depending on the model number and quantity.
Contact us for details.

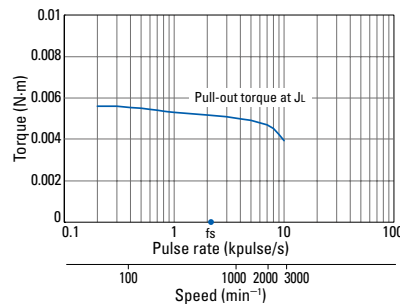
Bipolar winding, Lead wire type

Model number		Holding torque at 2-phase excitation [N·m] or greater	Rated current A/phase	Wiring resistance Ω/phase	Wiring inductance mH/phase	Rotor inertia [$\times 10^{-4}$ kg·m ²]	Mass (Weight) [kg]	Motor length (L) [mm]
Single shaft	Dual shaft							
SH2141-5541	SH2141-5511	0.0065	0.3	21	4.2	0.00058	0.03	30
SH2145-5641	SH2145-5611	0.01	0.4	19	4	0.0011	0.042	43.8

Characteristics diagram

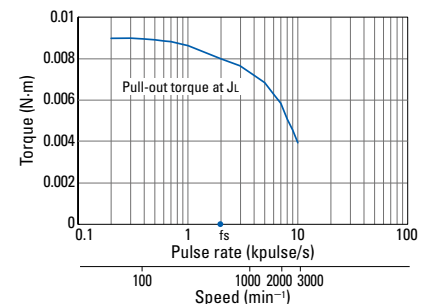
SH2141-5541 SH2141-5511

Constant current circuit
Power supply voltage: 24 VDC
Wiring current: 0.3 A/phase, 2-phase excitation (full-step)
 $J_L = 0.01 \times 10^{-4}$ kg·m²
pulley balancer method
fs: Maximum starting frequency when not loaded

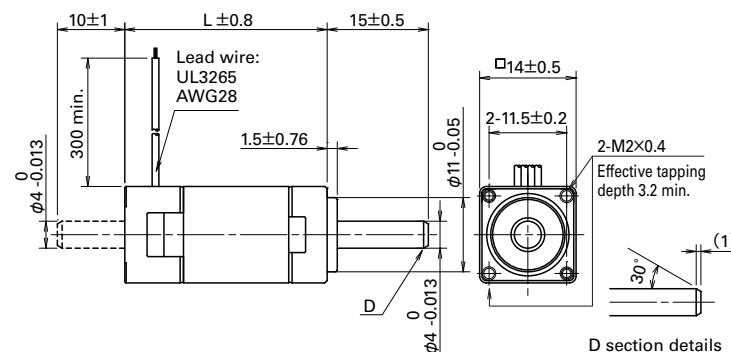


SH2145-5641 SH2145-5611

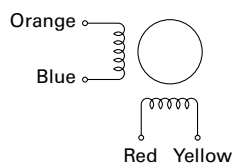
Constant current circuit
Power supply voltage: 24 VDC
Wiring current: 0.4 A/phase, 2-phase excitation (full-step)
 $J_L = 0.01 \times 10^{-4}$ kg·m²
pulley balancer method
fs: Maximum starting frequency when not loaded



Dimensions [Unit: mm]



Internal wiring



Compatible drivers

To be supplied by customers.
If you require assistance finding a driver, contact us for details.