

NX-series Digital Input Unit

NX-ID/IA

CSM_NX-ID_IA_DS_E_4_1

A Wide Range of Digital Input Units from General Purpose use to High-Speed Synchronous Control

- Digital Input Units for the NX-series modular I/O system.
- Connect to other NX-series I/O Units and EtherCAT Coupler units using the high-speed NX-bus.
- Synchronous Units update the status of input devices to the controller every EtherCAT cycle.

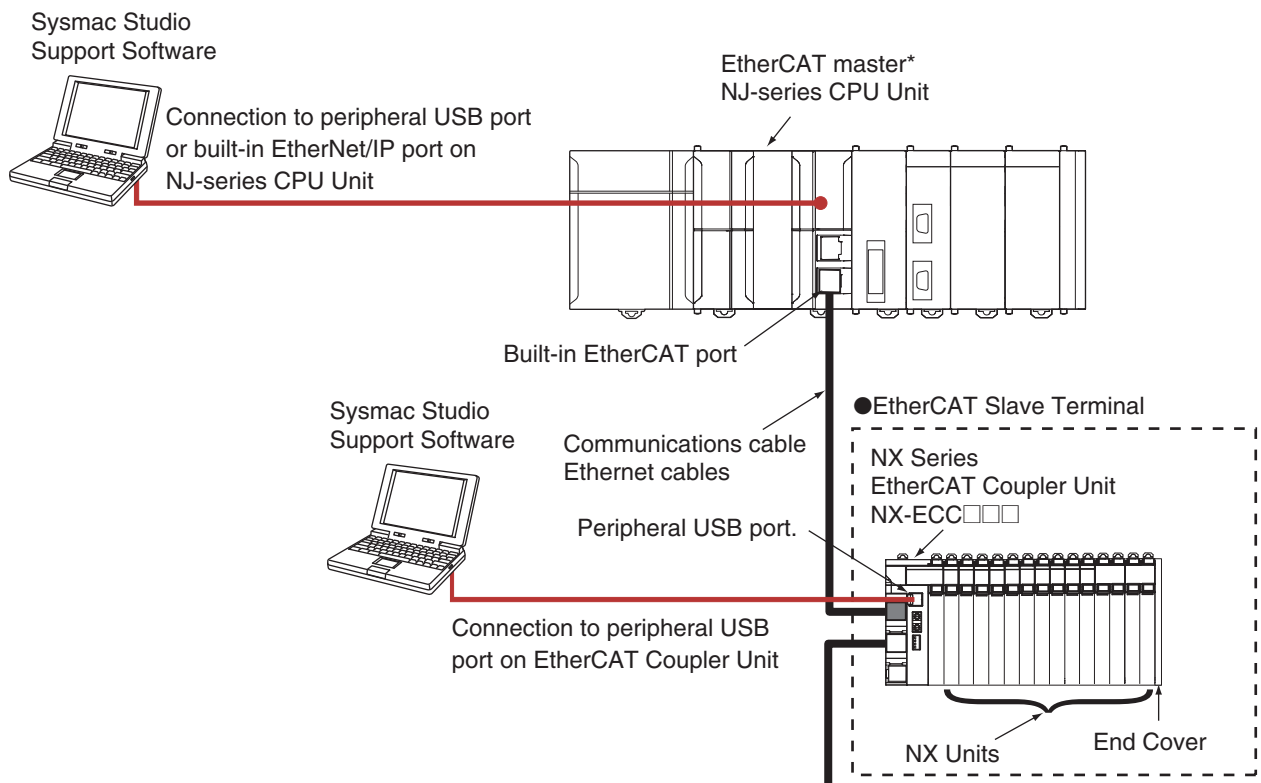


NEW

Features

- High-speed I/O refreshing is possible by connecting with the NX-series EtherCAT Coupler.
- I/O refreshing can be synchronized with the control cycle of the Controller. (Synchronous refreshing)
- ON/OFF response time of the high-speed model is 100 ns max, which enables high-speed, high-precision control.
- The screwless terminal block is detachable for easy commissioning and maintenance.
- Screwless clamp terminal block and Connector types are significantly reduces wiring work.
- Up to 16 digital inputs in a space-saving 12 mm width. (Connector Types 30 mm width)
- The lineup includes 4-point, 8-point, 16-point, and 32-point types with 3-wire, 2-wire and 1-wire connection methods.
- With input refreshing with input changed time, the Input Unit records the time when the input is changed and the changed time with the input value is read into the Controller.
- Using with the Unit that supports output refreshing with specified time stamp enables high-precision I/O control independent of the control cycle of the Controller.

System Configuration



* OMRON CJ1W-NC□81/□82 Position Control Units cannot be connected to the EtherCAT Slave Terminal even though they support EtherCAT.

Sysmac® is a trademark or registered trademark of OMRON Corporation in Japan and other countries for OMRON factory automation products. EtherCAT® is a registered trademark of Beckhoff Automation GmbH for their patented technology. Other company names and product names in this document are the trademarks or registered trademarks of their respective companies.

Ordering Information

International Standards

- The standards are abbreviated as follows: U: UL, U1: UL (Class I Division 2 Products for Hazardous Locations), C: CSA, UC: cULus, UC1: cULus (Class I Division 2 Products for Hazardous Locations), CU: cUL, N: NK, L: Lloyd, CE: EC Directives, and KC: KC Registration.
- Contact your OMRON representative for further details and applicable conditions for these standards.

Digital Input Unit (Screwless Clamping Terminal Block, 12 mm Width)


| Unit type | Product Name | Specification | | | | | Model | Standards | |
|-------------------------------|---|------------------|---------------------|---------------------|--|-------------------------|-------------------------|-------------------|-----------|
| | | Number of points | Internal I/O common | Rated input voltage | I/O refreshing method | ON/OFF response time | | | |
| NX Series Digital Input Units |  | 4 points | NPN | 12 to 24 VDC | Switching Synchronous I/O refreshing and Free-Run refreshing | 20 μs max./400 μs max. | NX-ID3317 | UC1, N, L, CE, KC | |
| | | | | 24 VDC | | 100 ns max./100 ns max. | | | |
| | | | PNP | 12 to 24 VDC | Switching Synchronous I/O refreshing and Free-Run refreshing | 20 μs max./400 μs max. | | | |
| | | | | 24 VDC | | 100 ns max./100 ns max. | | | |
| | | 8 points | NPN | 24 VDC | Switching Synchronous I/O refreshing and Free-Run refreshing | 20 μs max./400 μs max. | 100 ns max./100 ns max. | | NX-ID4342 |
| | | | PNP | | | | | | NX-ID4442 |
| | | | NPN | | | | | | NX-ID5342 |
| | | 16 points | PNP | | | | | | NX-ID5442 |

* To use input refreshing with input changed time, NJ CPU Unit with unit version 1.06 or later, EtherCAT Coupler Unit with unit version 1.1 or later, and Sysmac Studio version 1.07 or higher are required.

DC Input Units (MIL Connector, 30 mm Width)

| Unit type | Product Name | Specification | | | | | Model | Standards |
|-------------------------------|---|------------------|---------------------|---------------------|--|------------------------|-------------|-------------|
| | | Number of points | Internal I/O common | Rated input voltage | I/O refreshing method | ON/OFF response time | | |
| NX Series Digital Input Units |  | 16 points | For both NPN/PNP | 24 VDC | Switching Synchronous I/O refreshing and Free-Run refreshing | 20 μs max./400 μs max. | NX-ID5142-5 | UC1, CE, KC |
| | | 32 points | | | | | NX-ID6142-5 | |

Analog Input Unit (Screwless Clamping Terminal Block, 12 mm Width)

| Unit type | Product Name | Specification | | | | Model | Standards |
|------------------------------|---|------------------|--|-----------------------|-----------------------|-----------|----------------|
| | | Number of points | Rated input voltage | I/O refreshing method | ON/OFF response time | | |
| NX Series Analog Input Units |  | 4 points | 200 to 240 VAC, 50/60 Hz (170 to 264 VAC, ±3 Hz) | Free-Run refreshing | 10 ms max./40 ms max. | NX-IA3317 | UC1, N, CE, KC |

Option

| Product Name | Specification | Model | Standards | | | |
|---------------------------------|---|-----------------------------|----------------------|---------------------------|-----------|-----------|
| Unit/Terminal Block Coding Pins | For 10 Units (Terminal Block: 30 pins, Unit: 30 pins) | NX-AUX02 | --- | | | |
| Product Name | Specification | | | | Model | Standards |
| | No. of terminals | Terminal number indications | Ground terminal mark | Terminal current capacity | | |
| Terminal Block | 8 | A/B | None | 10 A | NX-TBA082 | --- |
| | 12 | | | | NX-TBA122 | |
| | 16 | | | | NX-TBA162 | |

Accessories


Not included.

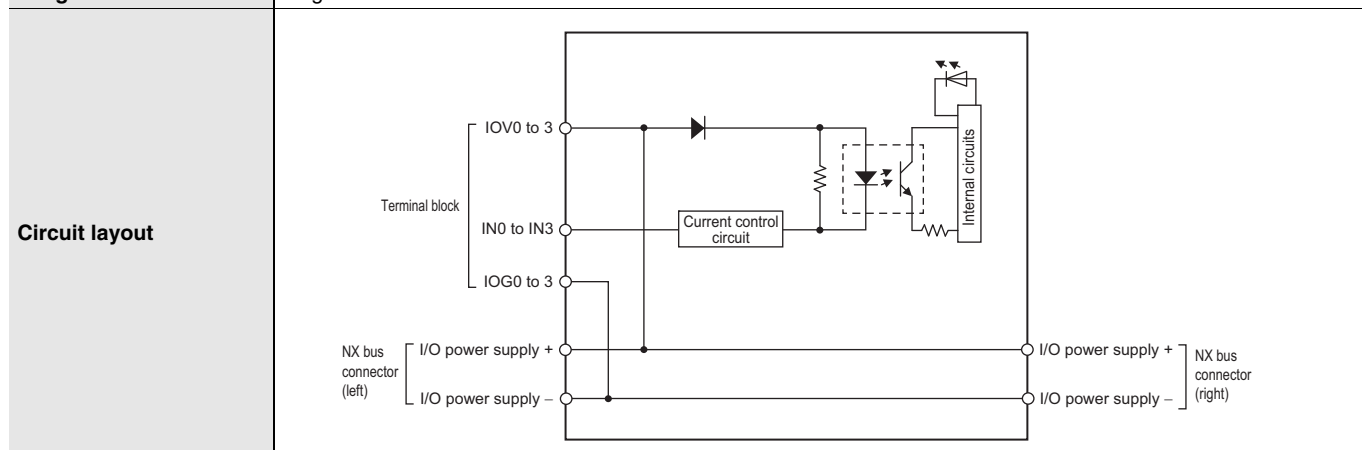
General Specification

| Item | | Specification |
|------------------------------|---|---|
| Enclosure | | Mounted in a panel |
| Grounding method | | Ground to 100 Ω or less |
| Operating environment | Ambient operating temperature | 0 to 55°C |
| | Ambient operating humidity | 10% to 95% (with no condensation or icing) |
| | Atmosphere | Must be free from corrosive gases. |
| | Ambient storage temperature | -25 to 70°C (with no condensation or icing) |
| | Altitude | 2,000 m max. |
| | Pollution degree | 2 or less: Conforms to JIS B3502 and IEC 61131-2. |
| | Noise immunity | 2 kV on power supply line (Conforms to IEC61000-4-4.) |
| | Overvoltage category | Category II: Conforms to JIS B3502 and IEC 61131-2. |
| | EMC immunity level | Zone B |
| | Vibration resistance | Conforms to IEC 60068-2-6. 5 to 8.4 Hz with 3.5-mm amplitude, 8.4 to 150 Hz, acceleration of 9.8 m/s ² , 100 min each in X, Y, and Z directions (10 sweeps of 10 min each = 100 min total) |
| Shock resistance | Conforms to IEC 60068-2-27. 147 m/s ² , 3 times each in X, Y, and Z directions | |
| Applicable standards | | cULus: Listed UL508 and ANSI/ISA 12.12.01 EC: EN 61131-2 and C-Tick, KC: KC Registration, NK, LR |

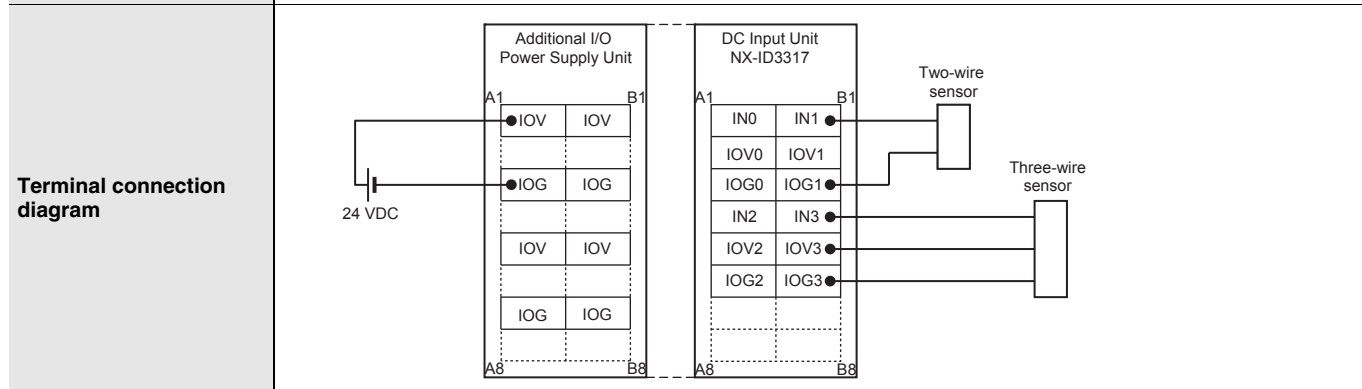
Digital Input Unit Specifications

● DC Input Unit (Screwless Clamping Terminal Block 12 mm, Width) NX-ID3317

| | | | |
|----------------------------------|--|--|--|
| Unit name | DC Input Unit | Model | NX-ID3317 |
| Capacity | 4 points | External connection terminals | Screwless clamping terminal block (12 terminals) |
| I/O refreshing method | Selectable Synchronous I/O refreshing or Free-Run refreshing | | |
| Indicators | TS indicator, input indicator  | Internal I/O common | NPN |
| | | Rated input voltage | 12 to 24 VDC (9 to 28.8 VDC) |
| | | Input current | 6 mA typical (at 24 VDC), rated current |
| | | ON voltage/ON current | 9 VDC min./3 mA min. (between IOV and each signal) |
| | | OFF voltage/OFF current | 2 VDC max./1 mA max. (between IOV and each signal) |
| | | ON/OFF response time | 20 μs max./400 μs max. |
| | | Input filter time | Without filter, 0.25 ms, 0.5 ms, 1 ms (factory setting), 2 ms, 4 ms, 8 ms, 16 ms, 32 ms, 64 ms, 128 ms, 256 ms |
| Dimensions | 12 (W) x 100 (H) x 71 (D) | Isolation method | Photocoupler isolation |
| Insulation resistance | 20 MΩ min. between isolated circuits (at 100 VDC) | Dielectric strength | 510 VAC between isolated circuits for 1 minute at a leakage current of 5 mA max. |
| I/O power supply method | Supply from the NX bus | Current capacity of I/O power supply terminal | IOV: 0.1 A/terminal max., IOG: 0.1 A/terminal max. |
| NX Unit power consumption | 0.50 W max. | Current consumption from I/O power supply | No consumption |
| Weight | 65 g max. | | |


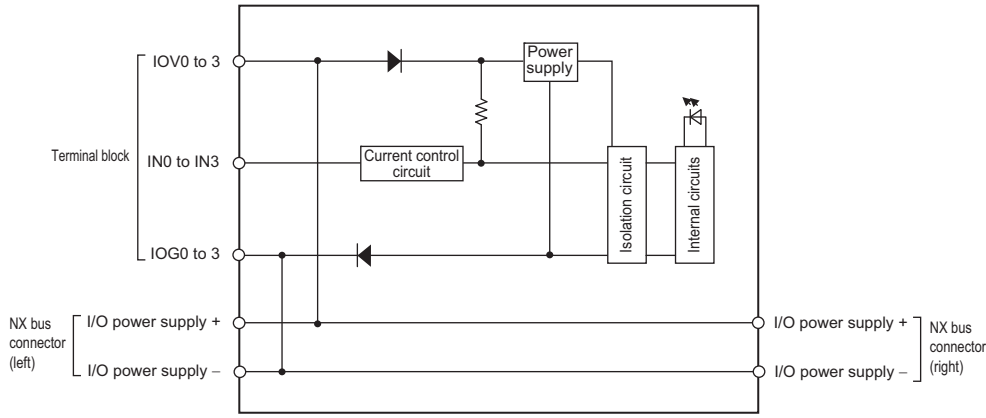
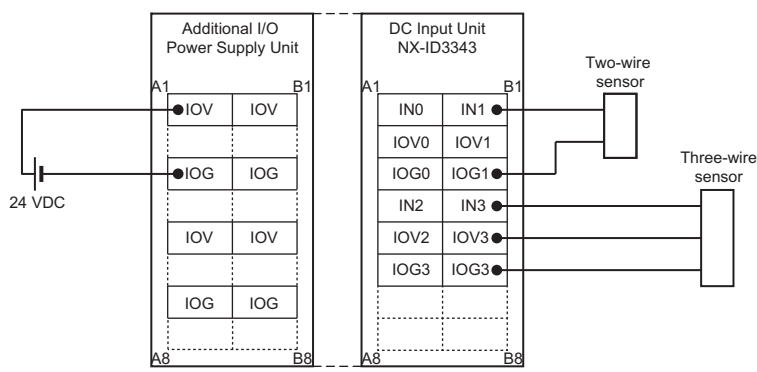


Installation orientation and restrictions
 Installation orientation: Possible in 6 orientations.
 Restrictions: No restrictions




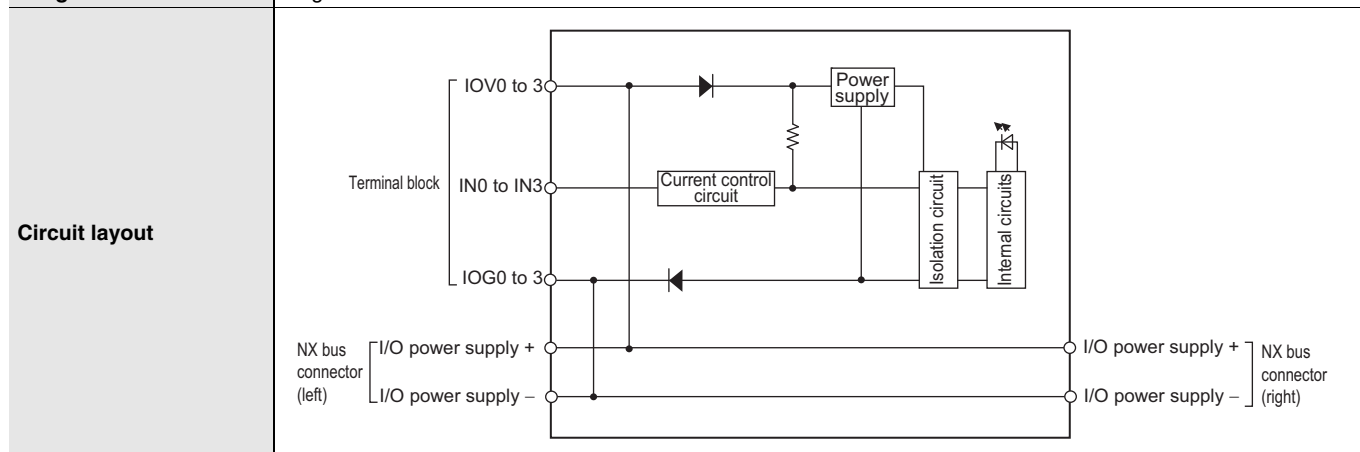
| | | | |
|--|----------------|----------------------------|----------------|
| Disconnection/Short-circuit detection | Not supported. | Protective function | Not supported. |
|--|----------------|----------------------------|----------------|

NX-ID3343

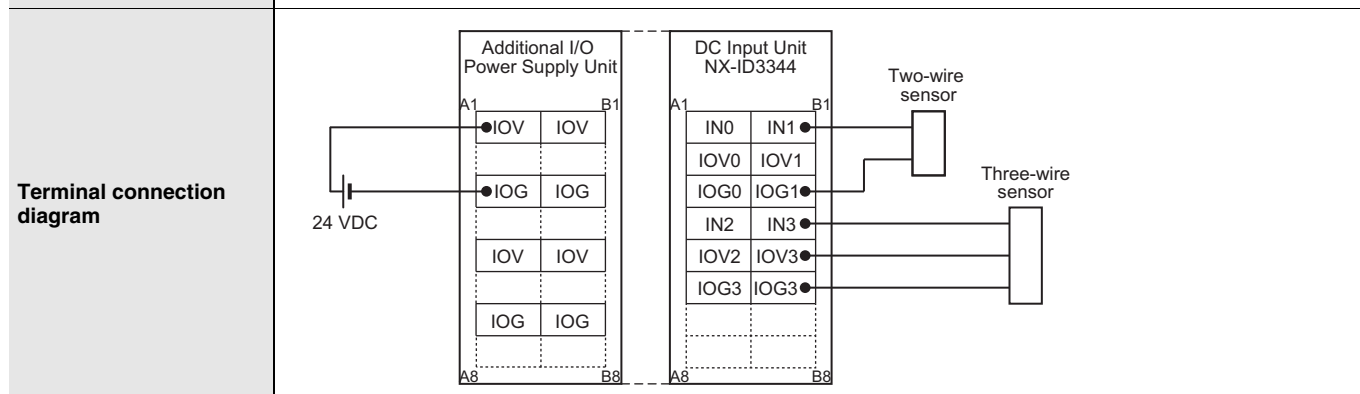
| | | | |
|--|--|--|---|
| Unit name | DC Input Unit | Model | NX-ID3343 |
| Capacity | 4 points | External connection terminals | Screwless clamping terminal block (12 terminals) |
| I/O refreshing method | Selectable Synchronous I/O refreshing or Free-Run refreshing | | |
| Indicators | TS indicator, input indicator  | Internal I/O common | NPN |
| | | Rated input voltage | 24 VDC (15 to 28.8 VDC) |
| | | Input current | 3.5 mA typical (at 24 VDC), rated current |
| | | ON voltage/ON current | 15 VDC min./3 mA min. (between IOV and each signal) |
| | | OFF voltage/OFF current | 5 VDC max./1 mA max. (between IOV and each signal) |
| | | ON/OFF response time | 100 ns max./100 ns max. |
| | | Input filter time | Without filter, 1 μs, 2 μs, 4 μs, 8 μs (factory setting), 16 μs, 32 μs, 64 μs, 128 μs, 256 μs |
| Dimensions | 12 (W) x 100 (H) x 71 (D) | Isolation method | Digital isolator isolation |
| Insulation resistance | 20 MΩ min. between isolated circuits (at 100 VDC) | Dielectric strength | 510 VAC between isolated circuits for 1 minute at a leakage current of 5 mA max. |
| I/O power supply method | Supply from the NX bus | Current capacity of I/O power supply terminal | IOV: 0.1 A/terminal max., IOG: 0.1 A/terminal max. |
| NX Unit power consumption | 0.55 W max. | Current consumption from I/O power supply | 30 mA max. |
| Weight | 65 g max. | | |
| Circuit layout |  | | |
| Installation orientation and restrictions | Installation orientation: Possible in 6 orientations. Restrictions: No restrictions | | |
| Terminal connection diagram |  | | |
| Disconnection/Short-circuit detection | Not supported. | Protective function | Not supported. |

NX-ID3344

| | | | |
|----------------------------------|---|--|--|
| Unit name | DC Input Unit | Model | NX-ID3344 |
| Capacity | 4 points | External connection terminals | Screwless clamping terminal block (12 terminals) |
| I/O refreshing method | Input refreshing with input changed time | | |
| Indicators | TS indicator, input indicators  | Internal I/O common | NPN |
| | | Rated input voltage | 24 VDC (15 to 28.8 VDC) |
| | | Input current | 3.5 mA typical (at 24 VDC), rated current |
| | | ON voltage/ON current | 15 VDC min./3 mA min. (between IOV and each signal) |
| | | OFF voltage/OFF current | 5 VDC max./1 mA max. (between IOV and each signal) |
| | | ON/OFF response time | 100 ns max./100 ns max. |
| Dimensions | 12 (W) x 100 (H) x 71 (D) | Isolation method | Digital isolator isolation |
| Insulation resistance | 20 MΩ min. between isolated circuits (at 100 VDC) | Dielectric strength | 510 VAC between isolated circuits for 1 minute at a leakage current of 5 mA max. |
| I/O power supply method | Supply from the NX bus | Current capacity of I/O power supply terminal | IOV: 0.1 A/terminal max., IOG: 0.1 A/terminal max. |
| NX Unit power consumption | 0.55 W max. | Current consumption from I/O power supply | 30 mA max. |
| Weight | 65 g max. | | |

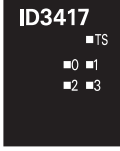


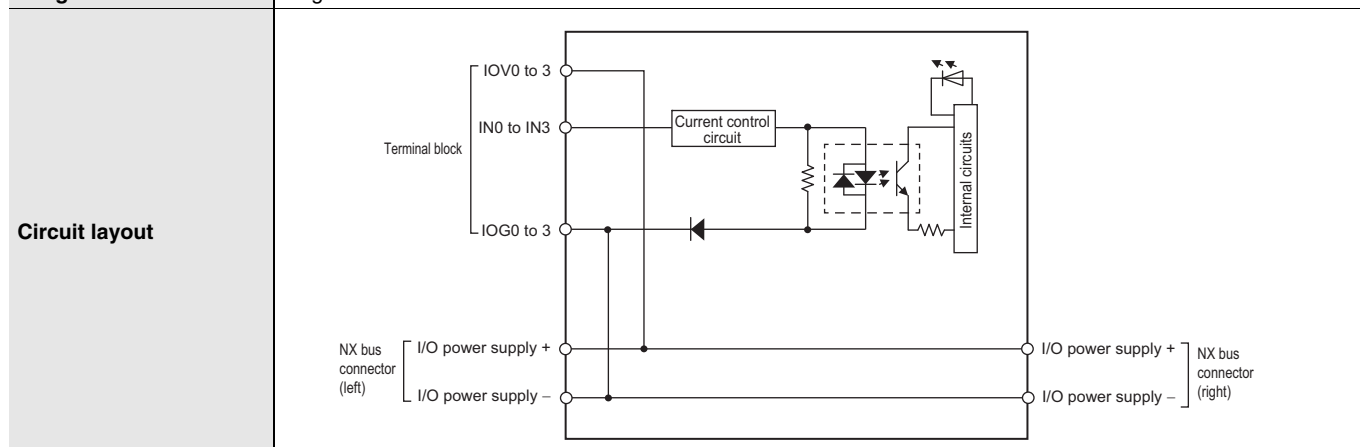
Installation orientation and restrictions
 Installation orientation: Possible in 6 orientations.
 Restrictions: No restrictions



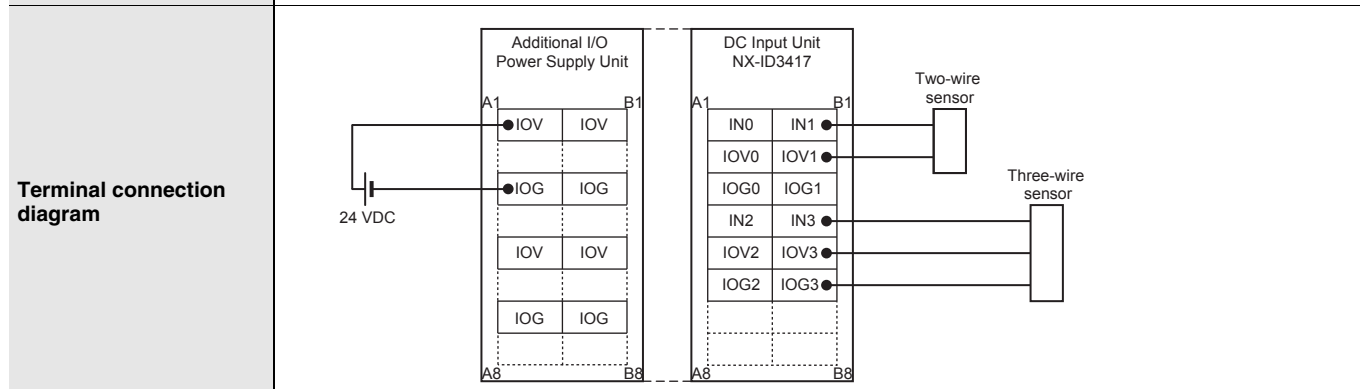
| | | | |
|--|----------------|----------------------------|----------------|
| Disconnection/Short-circuit detection | Not supported. | Protective function | Not supported. |
|--|----------------|----------------------------|----------------|

NX-ID3417

| | | | |
|----------------------------------|--|--|--|
| Unit name | DC Input Unit | Model | NX-ID3417 |
| Capacity | 4 points | External connection terminals | Screwless clamping terminal block (12 terminals) |
| I/O refreshing method | Selectable Synchronous I/O refreshing or Free-Run refreshing | | |
| Indicators | TS indicator, input indicator  | Internal I/O common | PNP |
| | | Rated input voltage | 12 to 24 VDC (9 to 28.8 VDC) |
| | | Input current | 6 mA typical (at 24 VDC), rated current |
| | | ON voltage/ON current | 9 VDC min./3 mA min. (between IOG and each signal) |
| | | OFF voltage/OFF current | 2 VDC max./1 mA max. (between IOG and each signal) |
| | | ON/OFF response time | 20 μs max./400 μs max. |
| | | Input filter time | Without filter, 0.25 ms, 0.5 ms, 1 ms (factory setting), 2 ms, 4 ms, 8 ms, 16 ms, 32 ms, 64 ms, 128 ms, 256 ms |
| Dimensions | 12 (W) x 100 (H) x 71 (D) | Isolation method | Photocoupler isolation |
| Insulation resistance | 20 MΩ min. between isolated circuits (at 100 VDC) | Dielectric strength | 510 VAC between isolated circuits for 1 minute at a leakage current of 5 mA max. |
| I/O power supply method | Supply from the NX bus | Current capacity of I/O power supply terminal | IOV: 0.1 A/terminal max., IOG: 0.1 A/terminal max. |
| NX Unit power consumption | 0.50 W max. | Current consumption from I/O power supply | No consumption |
| Weight | 65 g max. | | |


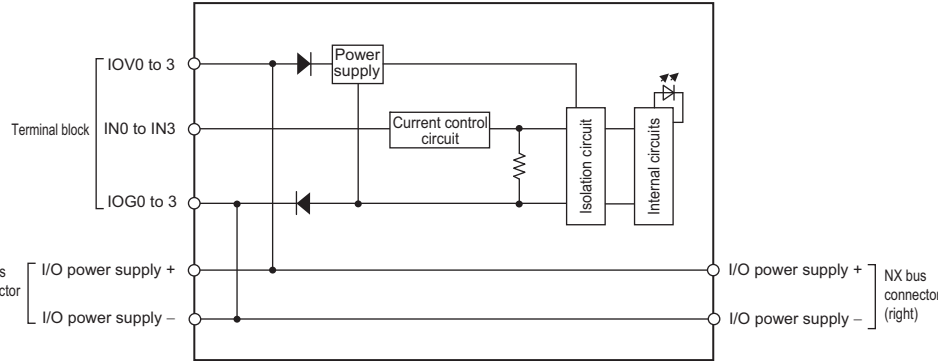
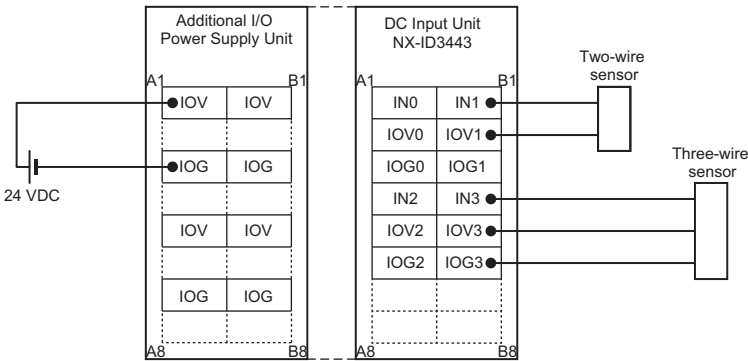


| | |
|--|--|
| Installation orientation and restrictions | Installation orientation: Possible in 6 orientations. Restrictions: No restrictions |
|--|--|




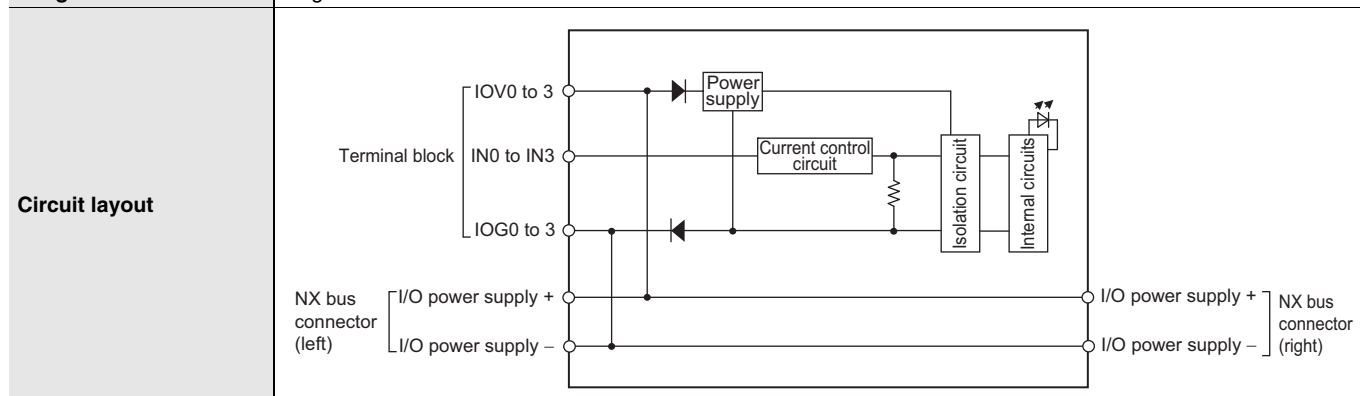
| | | | |
|--|----------------|----------------------------|----------------|
| Disconnection/Short-circuit detection | Not supported. | Protective function | Not supported. |
|--|----------------|----------------------------|----------------|

NX-ID3443

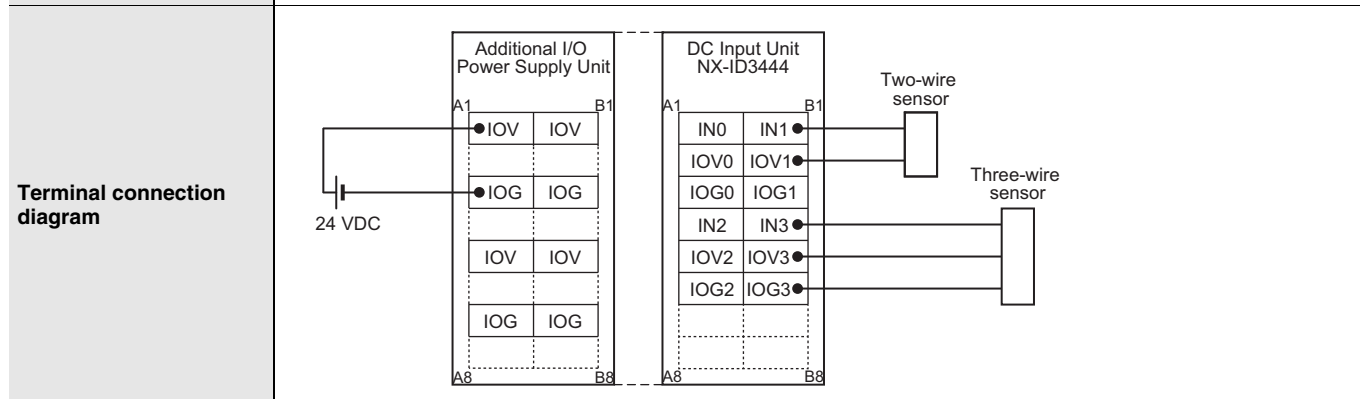
| | | | |
|--|--|--|---|
| Unit name | DC Input Unit | Model | NX-ID3443 |
| Capacity | 4 points | External connection terminals | Screwless clamping terminal block (12 terminals) |
| I/O refreshing method | Selectable Synchronous I/O refreshing or Free-Run refreshing | | |
| Indicators | TS indicator, input indicator  | Internal I/O common | PNP |
| | | Rated input voltage | 24 VDC (15 to 28.8 VDC) |
| | | Input current | 3.5 mA typical (at 24 VDC), rated current |
| | | ON voltage/ON current | 15 VDC min./3 mA min. (between IOG and each signal) |
| | | OFF voltage/OFF current | 5 VDC max./1 mA max. (between IOG and each signal) |
| | | ON/OFF response time | 100 ns max./100 ns max. |
| | | Input filter time | Without filter, 1 μs, 2 μs, 4 μs, 8 μs (factory setting), 16 μs, 32 μs, 64 μs, 128 μs, 256 μs |
| Dimensions | 12 (W) x 100 (H) x 71 (D) | Isolation method | Digital isolator isolation |
| Insulation resistance | 20 MΩ min. between isolated circuits (at 100 VDC) | Dielectric strength | 510 VAC between isolated circuits for 1 minute at a leakage current of 5 mA max. |
| I/O power supply method | Supply from the NX bus | Current capacity of I/O power supply terminal | IOV: 0.1 A/terminal max., IOG: 0.1 A/terminal max. |
| NX Unit power consumption | 0.55 W max. | Current consumption from I/O power supply | 30 mA max. |
| Weight | 65 g max. | | |
| Circuit layout |  | | |
| Installation orientation and restrictions | Installation orientation: Possible in 6 orientations. Restrictions: No restrictions | | |
| Terminal connection diagram |  | | |
| Disconnection/Short-circuit detection | Not supported. | Protective function | Not supported. |

NX-ID3444

| | | | |
|----------------------------------|---|--|--|
| Unit name | DC Input Unit | Model | NX-ID3444 |
| Capacity | 4 points | External connection terminals | Screwless clamping terminal block (12 terminals) |
| I/O refreshing method | Input refreshing with input changed time | | |
| Indicators | TS indicator, input indicators  | Internal I/O common | PNP |
| | | Rated input voltage | 24 VDC (15 to 28.8 VDC) |
| | | Input current | 3.5 mA typical (at 24 VDC), rated current |
| | | ON voltage/ON current | 15 VDC min./3 mA min. (between IOG and each signal) |
| | | OFF voltage/OFF current | 5 VDC max./1 mA max. (between IOG and each signal) |
| | | ON/OFF response time | 100 ns max./100 ns max. |
| Input filter time | No filter | | |
| Dimensions | 12 (W) x 100 (H) x 71 (D) | Isolation method | Digital isolator isolation |
| Insulation resistance | 20 MΩ min. between isolated circuits (at 100 VDC) | Dielectric strength | 510 VAC between isolated circuits for 1 minute at a leakage current of 5 mA max. |
| I/O power supply method | Supply from the NX bus | Current capacity of I/O power supply terminal | IOV: 0.1 A/terminal max., IOG: 0.1 A/terminal max. |
| NX Unit power consumption | 0.55 W max. | Current consumption from I/O power supply | 30 mA max. |
| Weight | 65 g max. | | |

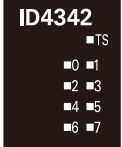


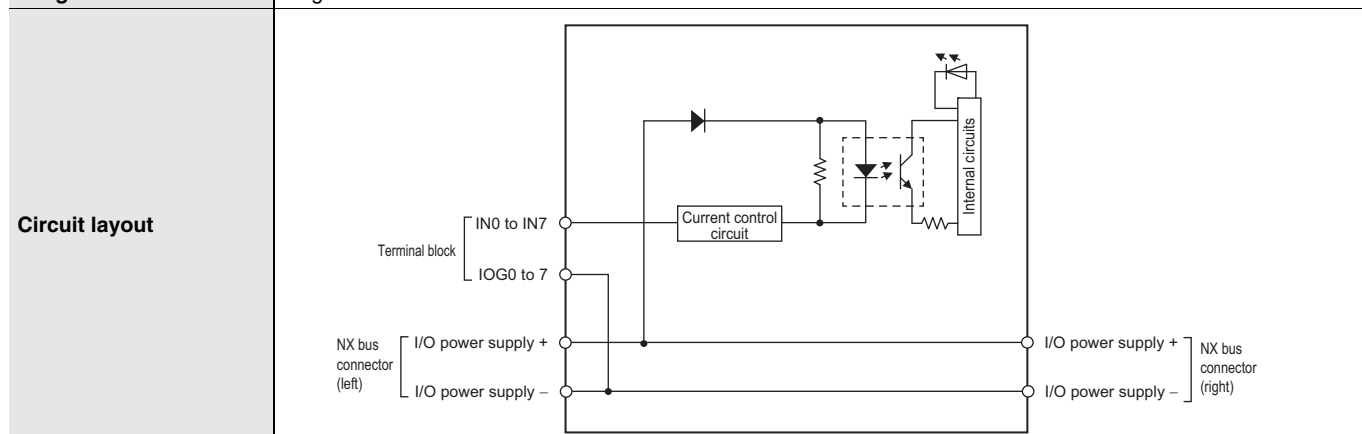
Installation orientation and restrictions
 Installation orientation: Possible in 6 orientations.
 Restrictions: No restrictions



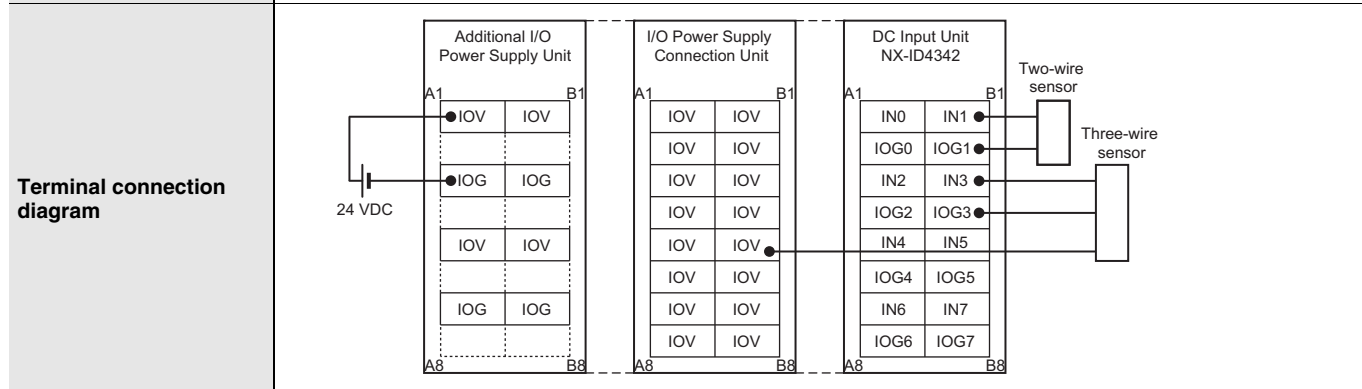
| | | | |
|---|----------------|----------------------------|----------------|
| Disconnection/ Short-circuit detection | Not supported. | Protective function | Not supported. |
|---|----------------|----------------------------|----------------|

NX-ID4342

| | | | |
|----------------------------------|--|--|--|
| Unit name | DC Input Unit | Model | NX-ID4342 |
| Capacity | 8 points | External connection terminals | Screwless clamping terminal block (16 terminals) |
| I/O refreshing method | Selectable Synchronous I/O refreshing or Free-Run refreshing | | |
| Indicators | TS indicator, input indicator  | Internal I/O common | NPN |
| | | Rated input voltage | 24 VDC (15 to 28.8 VDC) |
| | | Input current | 3.5 mA typical (at 24 VDC), rated current |
| | | ON voltage/ON current | 15 VDC min./3 mA min. (between IOG and each signal) |
| | | OFF voltage/OFF current | 5 VDC max./1 mA max. (between IOG and each signal) |
| | | ON/OFF response time | 20 μs max./400 μs max. |
| | | Input filter time | Without filter, 0.25 ms, 0.5 ms, 1 ms (factory setting), 2 ms, 4 ms, 8 ms, 16 ms, 32 ms, 64 ms, 128 ms, 256 ms |
| Dimensions | 12 (W) x 100 (H) x 71 (D) | Isolation method | Photocoupler isolation |
| Insulation resistance | 20 MΩ min. between isolated circuits (at 100 VDC) | Dielectric strength | 510 VAC between isolated circuits for 1 minute at a leakage current of 5 mA max. |
| I/O power supply method | Supply from the NX bus | Current capacity of I/O power supply terminal | IOG: 0.1 A/terminal max. |
| NX Unit power consumption | 0.50 W max. | Current consumption from I/O power supply | No consumption |
| Weight | 65 g max. | | |



Installation orientation and restrictions
 Installation orientation: Possible in 6 orientations.
 Restrictions: No restrictions



| | | | |
|--|----------------|----------------------------|----------------|
| Disconnection/Short-circuit detection | Not supported. | Protective function | Not supported. |
|--|----------------|----------------------------|----------------|

NX-ID4442

| | | | |
|----------------------------------|--|--|--|
| Unit name | DC Input Unit | Model | NX-ID4442 |
| Capacity | 8 points | External connection terminals | Screwless clamping terminal block (16 terminals) |
| I/O refreshing method | Selectable Synchronous I/O refreshing or Free-Run refreshing | | |
| Indicators | TS indicator, input indicator  | Internal I/O common | PNP |
| | | Rated input voltage | 24 VDC (15 to 28.8 VDC) |
| | | Input current | 3.5 mA typical (at 24 VDC), rated current |
| | | ON voltage/ON current | 15 VDC min./3 mA min. (between IOG and each signal) |
| | | OFF voltage/OFF current | 5 VDC max./1 mA max. (between IOG and each signal) |
| | | ON/OFF response time | 20 μs max./400 μs max. |
| | | Input filter time | Without filter, 0.25 ms, 0.5 ms, 1 ms (factory setting), 2 ms, 4 ms, 8 ms, 16 ms, 32 ms, 64 ms, 128 ms, 256 ms |
| Dimensions | 12 (W) x 100 (H) x 71 (D) | Isolation method | Photocoupler isolation |
| Insulation resistance | 20 MΩ min. between isolated circuits (at 100 VDC) | Dielectric strength | 510 VAC between isolated circuits for 1 minute at a leakage current of 5 mA max. |
| I/O power supply method | Supply from the NX bus | Current capacity of I/O power supply terminal | IOV: 0.1 A/terminal max. |
| NX Unit power consumption | 0.50 W max. | Current consumption from I/O power supply | No consumption |
| Weight | 65 g max. | | |

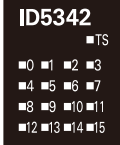


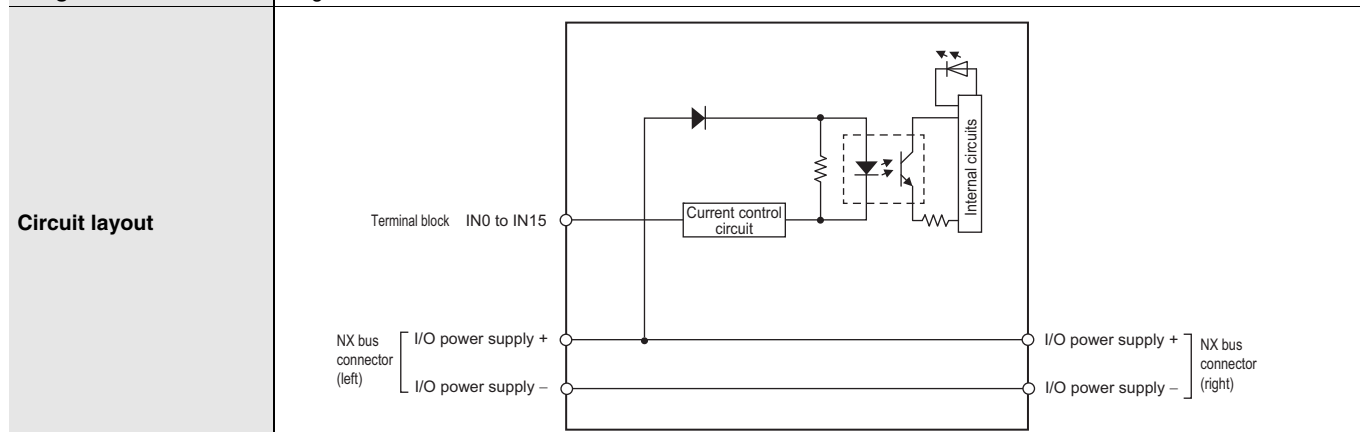
Installation orientation and restrictions
 Installation orientation: Possible in 6 orientations.
 Restrictions: No restrictions



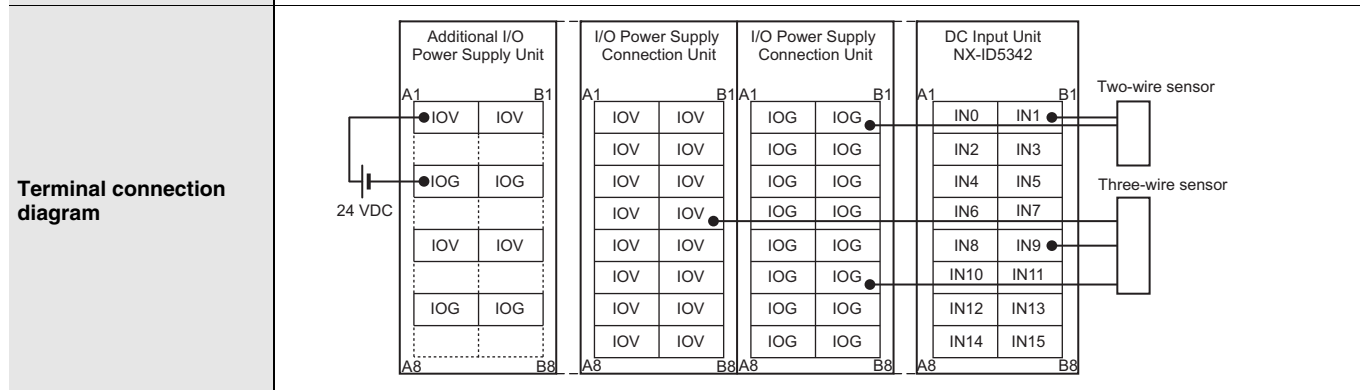
| | | | |
|--|----------------|----------------------------|----------------|
| Disconnection/Short-circuit detection | Not supported. | Protective function | Not supported. |
|--|----------------|----------------------------|----------------|

NX-ID5342

| | | | |
|----------------------------------|--|--|--|
| Unit name | DC Input Unit | Model | NX-ID5342 |
| Capacity | 16 points | External connection terminals | Screwless clamping terminal block (16 terminals) |
| I/O refreshing method | Selectable Synchronous I/O refreshing or Free-Run refreshing | | |
| Indicators | TS indicator, input indicator  | Internal I/O common | NPN |
| | | Rated input voltage | 24 VDC (15 to 28.8 VDC) |
| | | Input current | 2.5 mA typical (at 24 VDC), rated current |
| | | ON voltage/ON current | 15 VDC min./2 mA min. (between IOG and each signal) |
| | | OFF voltage/OFF current | 5 VDC max./0.5 mA max. (between IOG and each signal) |
| | | ON/OFF response time | 20 μs max./400 μs max. |
| | | Input filter time | Without filter, 0.25 ms, 0.5 ms, 1 ms (factory setting), 2 ms, 4 ms, 8 ms, 16 ms, 32 ms, 64 ms, 128 ms, 256 ms |
| Dimensions | 12 (W) x 100 (H) x 71 (D) | Isolation method | Photocoupler isolation |
| Insulation resistance | 20 MΩ min. between isolated circuits (at 100 VDC) | Dielectric strength | 510 VAC between isolated circuits for 1 minute at a leakage current of 5 mA max. |
| I/O power supply method | Supply from the NX bus | Current capacity of I/O power supply terminal | Without I/O power supply terminals |
| NX Unit power consumption | 0.55 W max. | Current consumption from I/O power supply | No consumption |
| Weight | 65 g max. | | |



Installation orientation and restrictions
 Installation orientation: Possible in 6 orientations.
 Restrictions: No restrictions



| | | | |
|--|----------------|----------------------------|----------------|
| Disconnection/Short-circuit detection | Not supported. | Protective function | Not supported. |
|--|----------------|----------------------------|----------------|

NX-ID5442

| | | | |
|----------------------------------|---|--|--|
| Unit name | DC Input Unit | Model | NX-ID5442 |
| Capacity | 16 points | External connection terminals | Screwless clamping terminal block (16 terminals) |
| I/O refreshing method | Selectable Synchronous I/O refreshing or Free-Run refreshing | | |
| Indicators |  | Internal I/O common | PNP |
| | | Rated input voltage | 24 VDC (15 to 28.8 VDC) |
| | | Input current | 2.5 mA typical (at 24 VDC), rated current |
| | | ON voltage/ON current | 15 VDC min./2 mA min. (between IOG and each signal) |
| | | OFF voltage/OFF current | 5 VDC max./0.5 mA max. (between IOG and each signal) |
| | | ON/OFF response time | 20 μs max./400 μs max. |
| | | Input filter time | Without filter, 0.25 ms, 0.5 ms, 1 ms (factory setting), 2 ms, 4 ms, 8 ms, 16 ms, 32 ms, 64 ms, 128 ms, 256 ms |
| Dimensions | 12 (W) x 100 (H) x 71 (D) | Isolation method | Photocoupler isolation |
| Insulation resistance | 20 MΩ min. between isolated circuits (at 100 VDC) | Dielectric strength | 510 VAC between isolated circuits for 1 minute at a leakage current of 5 mA max. |
| I/O power supply method | Supply from the NX bus | Current capacity of I/O power supply terminal | Without I/O power supply terminals |
| NX Unit power consumption | 0.55 W max. | Current consumption from I/O power supply | No consumption |
| Weight | 65 g max. | | |



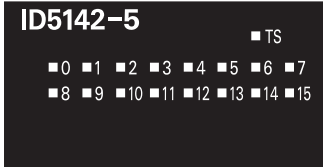
| | |
|--|--|
| Installation orientation and restrictions | Installation orientation: Possible in 6 orientations. Restrictions: No restrictions |
|--|--|

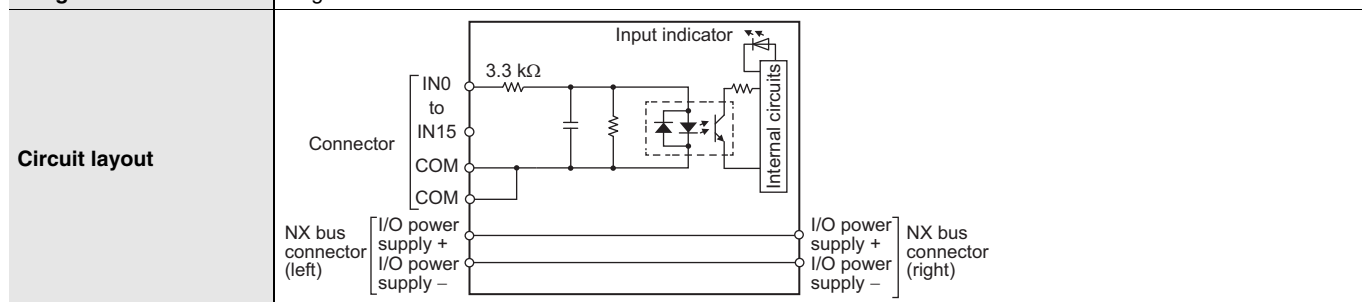


| | | | |
|--|----------------|----------------------------|----------------|
| Disconnection/Short-circuit detection | Not supported. | Protective function | Not supported. |
|--|----------------|----------------------------|----------------|

● DC Input Units (MIL Connector, 30 mm Width)

NX-ID5142-5

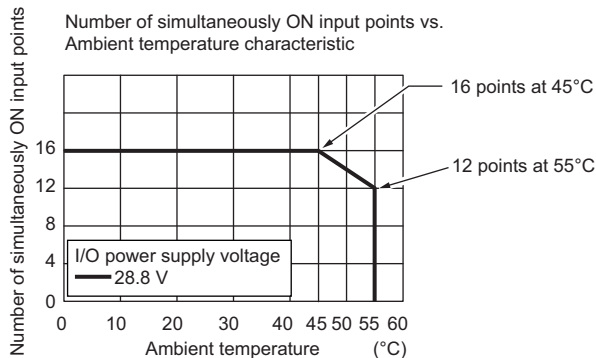
| | | | |
|----------------------------------|---|--|---|
| Unit name | DC Input Unit | Model | NX-ID5142-5 |
| Number of points | 16 points | External connection terminals | MIL connector (20 terminals) |
| I/O refreshing method | Switching Synchronous I/O refreshing and Free-Run refreshing | | |
| Indicators | TS indicator, input indicators  | Internal I/O common | For both NPN/PNP |
| | | Rated input voltage | 24 VDC (15 to 28.8 VDC) |
| | | Input current | 7 mA typical (at 24 VDC) |
| | | ON voltage/ON current | 15 VDC min./3 mA min. (between COM and each signal) |
| | | OFF voltage/OFF current | 5 VDC max./1 mA max. (between COM and each signal) |
| | | ON/OFF response time | 20 μs max./400 μs max. |
| | | Input filter time | No filter, 0.25 ms, 0.5 ms, 1 ms (default), 2 ms, 4 ms, 8 ms, 16 ms, 32 ms, 64 ms, 128 ms, 256 ms |
| Dimensions | 30 (W) x 100 (H) x 71 (D) | Isolation method | Photocoupler isolation |
| Insulation resistance | 20 MΩ min. between isolated circuits (at 100 VDC) | Dielectric strength | 510 VAC between isolated circuits for 1 minute at a leakage current of 5 mA max. |
| I/O power supply method | Supply from external source | Current capacity of I/O power supply terminal | Without I/O power supply terminals |
| NX Unit power consumption | 0.55 W max. | Current consumption from I/O power supply | No consumption |
| Weight | 85 g max. | | |



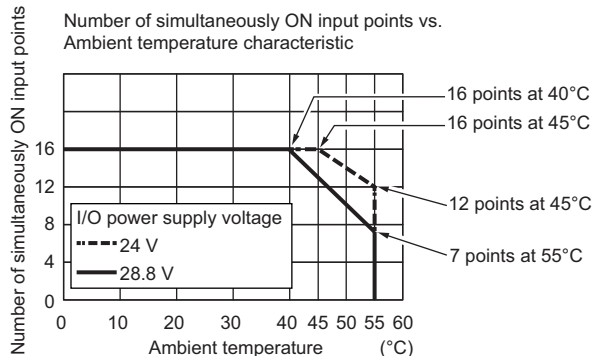
Installation orientation and restrictions

Installation orientation: Possible in 6 orientations.
Restrictions: As shown in the following.

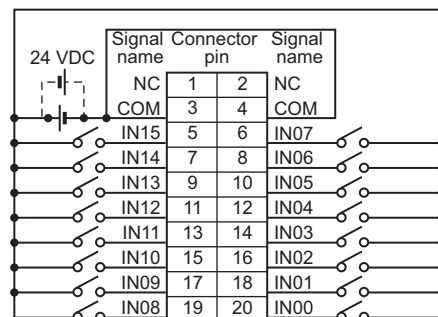
- For upright installation



- For any installation other than upright



Terminal connection diagram



- The polarity of the input power supply can be connected in either direction.
- Be sure to wire both pins 3 and 4 (COM), and set the same polarity for both pins.

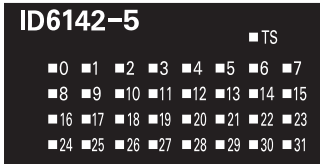
Disconnection/ Short-circuit detection

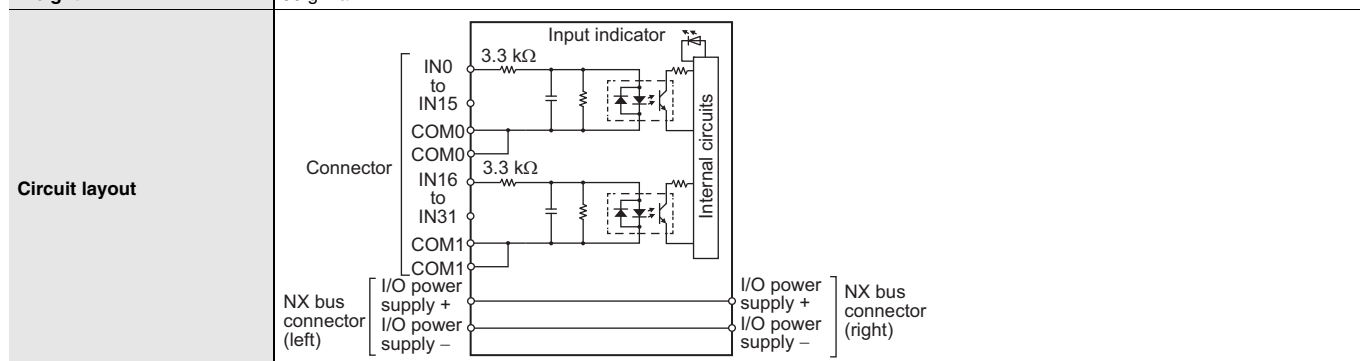
Not supported.

Protective function

Not supported.

NX-ID6142-5

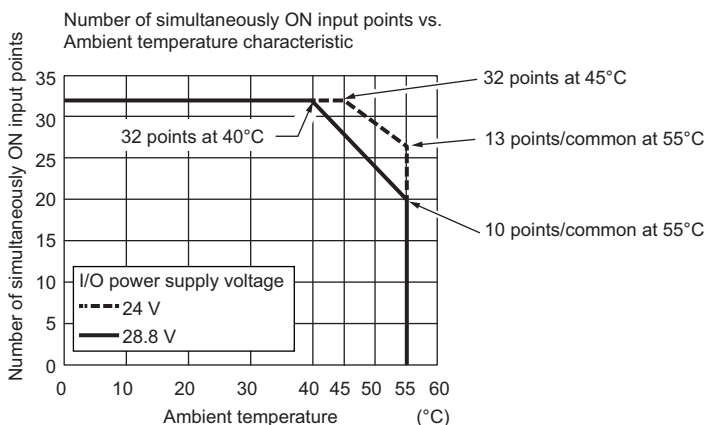
| | | | |
|----------------------------------|---|--|---|
| Unit name | DC Input Unit | Model | NX-ID6142-5 |
| Number of points | 32 points | External connection terminals | MIL connector (40 terminals) |
| I/O refreshing method | Switching Synchronous I/O refreshing and Free-Run refreshing | | |
| Indicators | TS indicator, input indicators | Internal I/O common | For both NPN/PNP |
| |  | Rated input voltage | 24 VDC (19 to 28.8 VDC) |
| | | Input current | 4.1 mA typical (24 VDC) |
| | | ON voltage/ON current | 19 VDC min./3 mA min. (between COM and each signal) |
| | | OFF voltage/OFF current | 5 VDC max./1 mA max. (between COM and each signal) |
| | | ON/OFF response time | 20 μs max./400 μs max. |
| | | Input filter time | No filter, 0.25 ms, 0.5 ms, 1 ms (default), 2 ms, 4 ms, 8 ms, 16 ms, 32 ms, 64 ms, 128 ms, 256 ms |
| Dimensions | 30 (W) x 100 (H) x 71 (D) | Isolation method | Photocoupler isolation |
| Insulation resistance | 20 MΩ min. between isolated circuits (at 100 VDC) | Dielectric strength | 510 VAC between isolated circuits for 1 minute at a leakage current of 5 mA max. |
| I/O power supply method | Supply from external source | Current capacity of I/O power supply terminal | Without I/O power supply terminals |
| NX Unit power consumption | 0.60 W max. | Current consumption from I/O power supply | No consumption |
| Weight | 90 g max. | | |



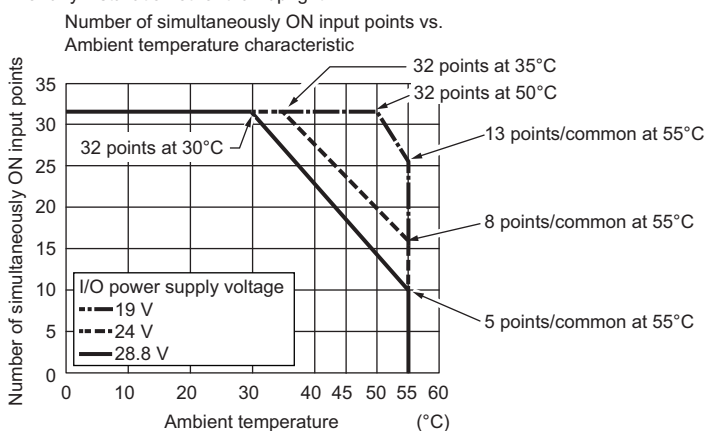
Installation orientation and restrictions

Installation orientation: Possible in 6 orientations.
Restrictions: As shown in the following.

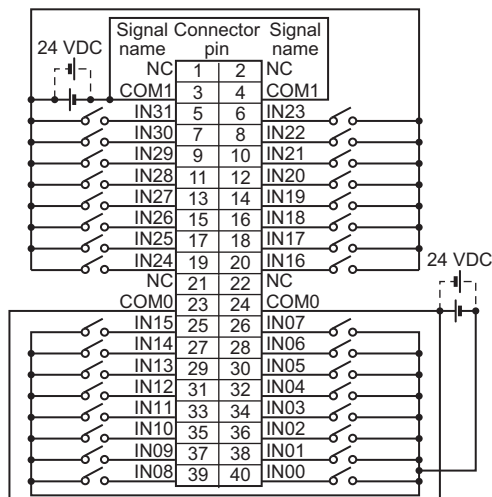
- For upright installation



- For any installation other than upright



Terminal connection diagram



- The polarity of the input power supply can be connected in either direction.
- Be sure to wire both pins 23 and 24 (COM0), and set the same polarity for both pins.
- Be sure to wire both pins 3 and 4 (COM1), and set the same polarity for both pins.


Disconnection/Short-circuit detection

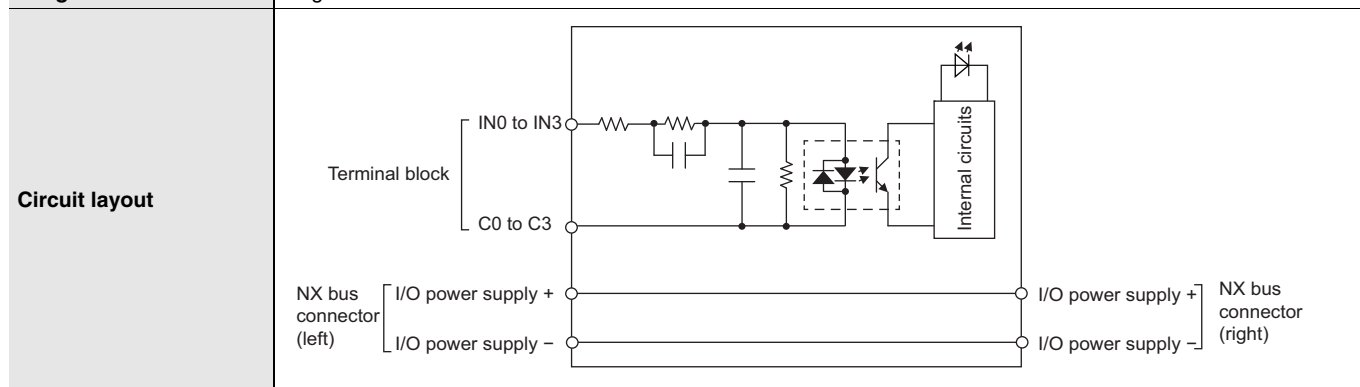
Not supported.

Protective function

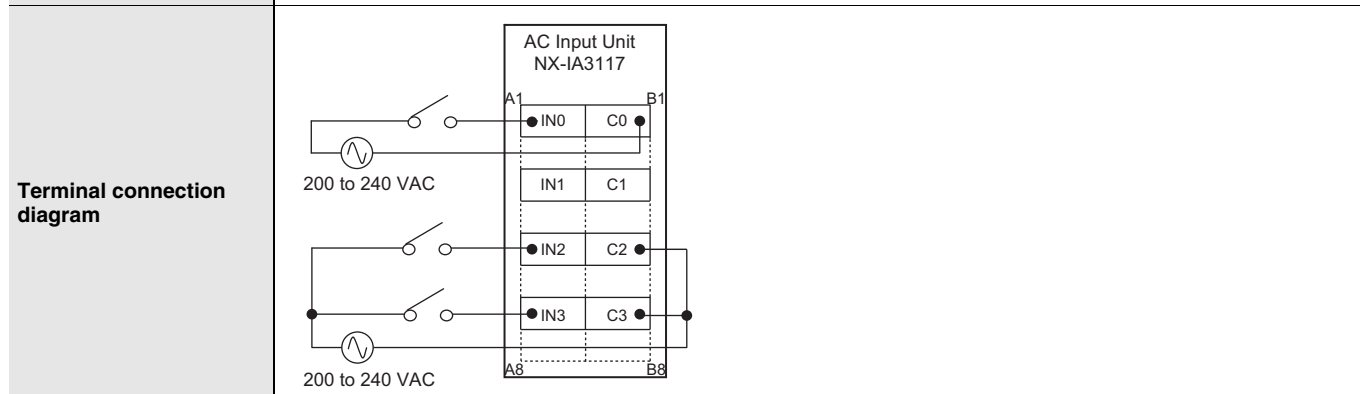
Not supported.

● AC Input Units (Screwless Clamping Terminal Block, 12 mm Width)
NX-IA3117

| | | | |
|----------------------------------|---|--|---|
| Unit name | AC Input Unit | Model | NX-IA3117 |
| Number of points | 4 points, independent contacts | External connection terminals | Screwless clamping terminal block (8 terminals) |
| Capacity | Free-Run refreshing | | |
| Indicators | TS indicator, input indicator  | Internal I/O common | No polarity |
| | | Rated input voltage | 200 to 240 VAC, 50/60 Hz (170 to 264 VAC, ±3 Hz) |
| | | Input current | 9 mA typical (at 200 VAC, 50 Hz) 11 mA typical (at 200 VAC, 60 Hz) |
| | | ON voltage/ON current | 120 VAC min./4 mA min. |
| | | OFF voltage/OFF current | 40 VAC max./2 mA max. |
| | | ON/OFF response time | 10 ms max./40 ms max. |
| | | Input filter time | No filter, 0.25 ms, 0.5 ms, 1 ms (default), 2 ms, 4 ms, 8 ms, 16 ms, 32 ms, 64 ms, 128 ms, 256 ms |
| Dimensions | 12 (W) x 100 (H) x 71 (D) | Isolation method | Photocoupler isolation |
| Insulation resistance | Between each AC input circuit: 20 MΩ min. (at 500 VDC) Between the external terminals and the functional ground terminal: 20 MΩ min. (at 500 VDC) Between the external terminals and internal circuits: 20 MΩ min. (at 500 VDC) Between the internal circuit and the functional ground terminal: 20 MΩ min. (at 100 VDC) | Dielectric strength | Between each AC input circuit: AC3700V VAC for 1 min at a leakage current of 5 mA max. Between the external terminals and functional ground terminal: 2300 VAC for 1 min at a leakage current of 5 mA max. Between the external terminals and internal circuits: 2300 VAC for 1 min at a leakage current of 5 mA max. Between the internal circuit and the functional ground terminal: 510 VAC for 1 min at a leakage current of 5 mA max. |
| I/O power supply method | Supplied from external source. | Current capacity of I/O power supply terminal | Without I/O power supply terminals |
| NX Unit power consumption | 0.5 W max. | Current consumption from I/O power supply | No consumption |
| Weight | 60 g max. | | |



Installation orientation and restrictions
 Installation orientation: Possible in 6 orientations.
 Restrictions: No restrictions



| | | | |
|--|----------------|----------------------------|----------------|
| Disconnection/Short-circuit detection | Not supported. | Protective function | Not supported. |
|--|----------------|----------------------------|----------------|

Version Information

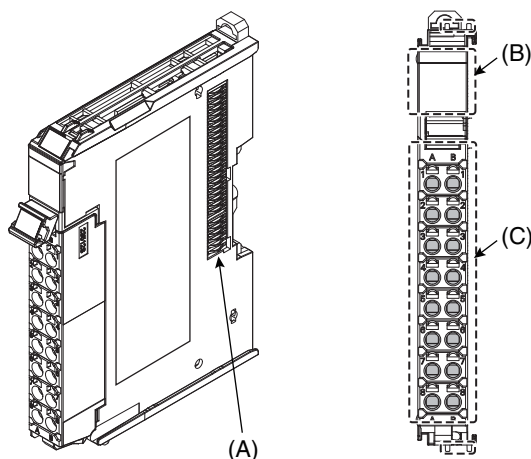
| NX Units | | Corresponding unit versions/versions | | |
|-------------|--------------|--|---|------------------------|
| Model | Unit Version | EtherCAT Coupler Units NX-ECC201/ECC202 * | NJ-series CPU Units NJ501-□□□□/ NJ301-□□□□ | Sysmac Studio |
| NX-ID3317 | Ver.1.0 | Version 1.0 or later | Version 1.05 or later | Version 1.06 or higher |
| NX-ID3343 | | Version 1.1 or later | Version 1.06 or later | Version 1.07 or higher |
| NX-ID3344 | | Version 1.0 or later | Version 1.05 or later | Version 1.06 or higher |
| NX-ID3417 | | Version 1.1 or later | Version 1.06 or later | Version 1.07 or higher |
| NX-ID3443 | | Version 1.0 or later | Version 1.05 or later | Version 1.06 or higher |
| NX-ID3444 | | | | Ver.1.10 or higher |
| NX-ID4342 | | | | Version 1.06 or higher |
| NX-ID4442 | | | | Version 1.06 or higher |
| NX-ID5142-5 | | | | Ver.1.10 or higher |
| NX-ID5342 | | | | Version 1.06 or higher |
| NX-ID5442 | | Version 1.08 or higher | | |
| NX-ID6142-5 | | | | |
| NX-IA3117 | | | | |

* For the NX-ECC202, there is no unit version of 1.1 or earlier.

External Interface

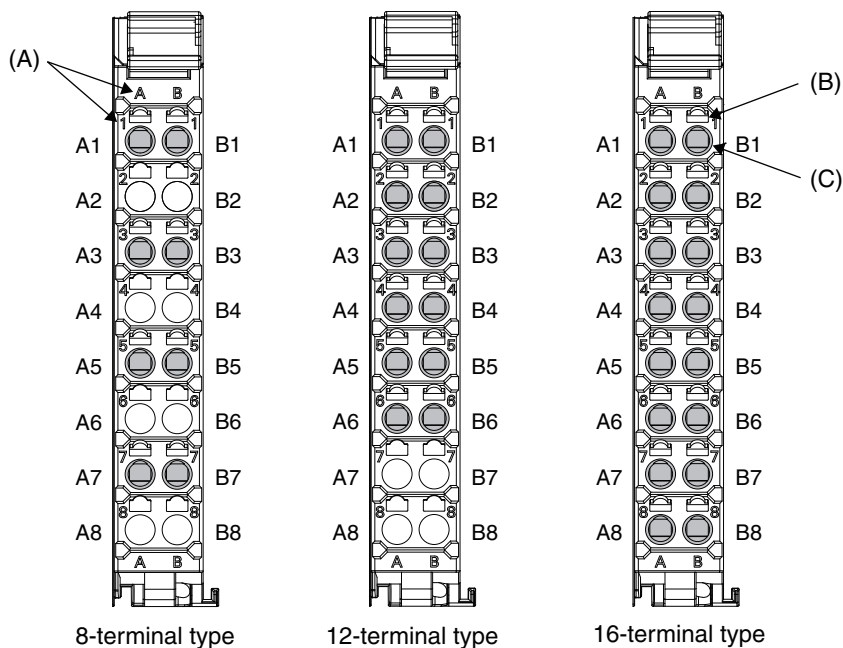
Screwless Clamping Terminal Block Type

● 12 mm Width



| Symbol | Name | Function |
|--------|------------------|---|
| (A) | NX bus connector | This connector is used to connect each Unit. |
| (B) | Indicators | The indicators show the current operating status of the Unit. |
| (C) | Terminal block | The terminal block is used to connect external devices. The number of terminals depends on the type of Unit. |

Terminal Blocks



| Symbol | Name | Function |
|--------|-----------------------------|---|
| (A) | Terminal number indications | Terminal numbers for which A to D indicate the column, and 1 to 8 indicate the line are displayed. The terminal number is a combination of column and line, so A1 to A8 and B1 to B8 are displayed. The terminal number indications are the same regardless of the number of terminals on the terminal block. |
| (B) | Release holes | Insert a flat-blade screwdriver into these holes to connect and remove the wires. |
| (C) | Terminal holes | The wires are inserted into these holes. |

Applicable Terminal Blocks for Each Unit Model

| Unit model | Terminal Blocks | | | | |
|------------|-----------------|------------------|-----------------------------|----------------------|---------------------------|
| | Model | No. of terminals | Terminal number indications | Ground terminal mark | Terminal current capacity |
| NX-ID3□□□ | NX-TBA122 | 12 | A/B | None | 10 A |
| NX-ID4□□□ | NX-TBA162 | 16 | A/B | None | 10 A |
| NX-ID5□□□ | NX-TBA162 | 16 | A/B | None | 10 A |
| NX-IA3117 | NX-TBA082 | 8 | A/B | None | 10 A |

Applicable Wires

Using Ferrules

If you use ferrules, attach the twisted wires to them.

Observe the application instructions for your ferrules for the wire stripping length when attaching ferrules.

Always use one-pin ferrules. Do not use two-pin ferrules.

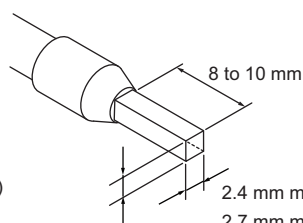
The applicable ferrules, wires, and crimping tool are given in the following table.

| Terminal types | Manufacturer | Ferrule model number | Applicable wire (mm ² (AWG)) | Crimping tool |
|---------------------------------------|-----------------|----------------------|---|--|
| Terminals other than ground terminals | Phoenix Contact | AI0,34-8 | 0.34 (#22) | Phoenix Contact (The figure in parentheses is the applicable wire size.) CRIMPFOX 6 (0.25 to 6 mm ² , AWG24 to 10) |
| | | AI0,5-8 | 0.5 (#20) | |
| | | AI0,5-10 | | |
| | | AI0,75-8 | 0.75 (#18) | |
| | | AI0,75-10 | | |
| | | AI1,0-8 | 1.0 (#18) | |
| | | AI1,0-10 | | |
| | | AI1,5-8 | 1.5 (#16) | |
| Ground terminals | | AI1,5-10 | | |
| | | AI2,5-10 | 2.0 * | |
| Terminals other than ground terminals | Weidmuller | H0.14/12 | 0.14 (#26) | Weidmuller (The figure in parentheses is the applicable wire size.) PZ6 Roto (0.14 to 6 mm ² , AWG 26 to 10) |
| | | H0.25/12 | 0.25 (#24) | |
| | | H0.34/12 | 0.34 (#22) | |
| | | H0.5/14 | 0.5 (#20) | |
| | | H0.5/16 | | |
| | | H0.75/14 | 0.75 (#18) | |
| | | H0.75/16 | | |
| | | H1.0/14 | 1.0 (#18) | |
| | | H1.0/16 | | |
| | | H1.5/14 | 1.5 (#16) | |
| | | H1.5/16 | | |

* Some AWG 14 wires exceed 2.0 mm² and cannot be used in the screwless clamping terminal block.

When you use any ferrules other than those in the above table, crimp them to the twisted wires so that the following processed dimensions are achieved.

Finished Dimensions of Ferrules



1.6 mm max. (except ground terminals)

2.0 mm max. (ground terminals)

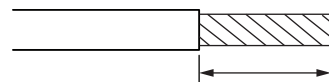
2.4 mm max. (except ground terminals)

2.7 mm max. (ground terminals)

Using Twisted Wires/Solid Wires

If you use the twisted wires or the solid wires, the applicable wire range and conductor length (stripping length) are as follows.

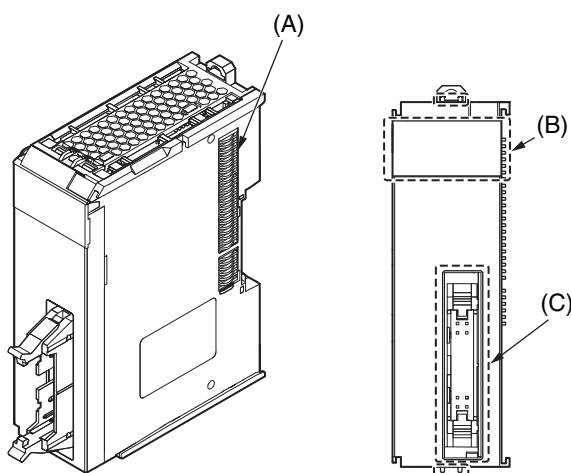
| Terminal types | Applicable wires | Conductor length (stripping length) |
|---------------------------------------|--|-------------------------------------|
| Ground terminals | 2.0 mm ² | 9 to 10 mm |
| Terminals other than ground terminals | 0.08 to 1.5 mm ² AWG28 to 16 | 8 to 10 mm |



Conductor length (stripping length)

Units with MIL Connectors

● 1 Connector with 20 Terminals



| Letter | Name | Function |
|--------|------------------|---|
| (A) | NX bus connector | This connector is used to connect each Unit. |
| (B) | Indicators | The indicators show the current operating status of the Unit. |
| (C) | Connectors | The connectors are used to connect to external devices. |

● 1 Connector with 40 Terminals

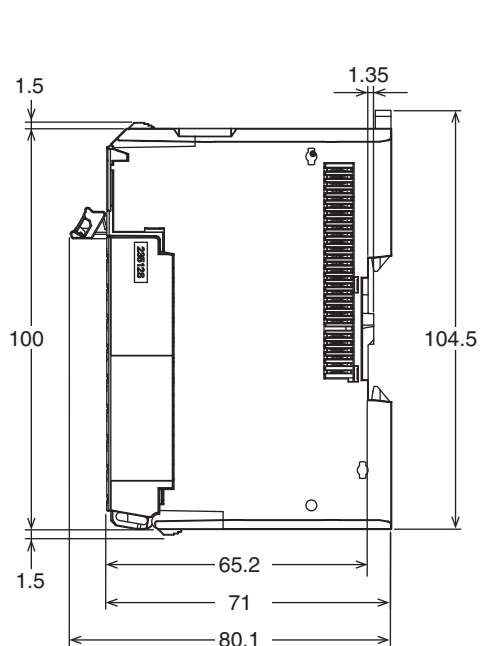


| Letter | Name | Function |
|--------|------------------|---|
| (A) | NX bus connector | This connector is used to connect each Unit. |
| (B) | Indicators | The indicators show the current operating status of the Unit. |
| (C) | Connectors | The connectors are used to connect to external devices. |

Dimensions

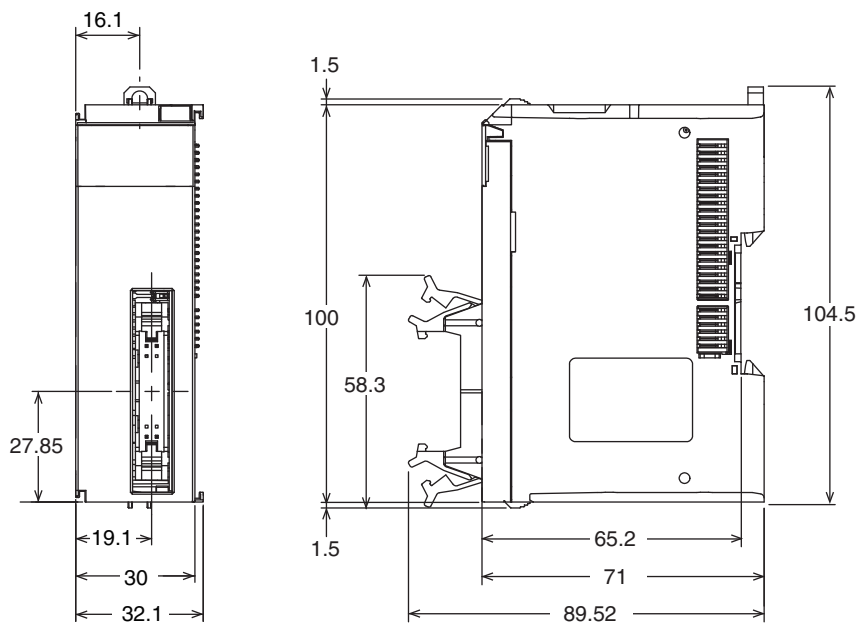
Screwless Clamping Terminal Block Type

- 12 mm Width



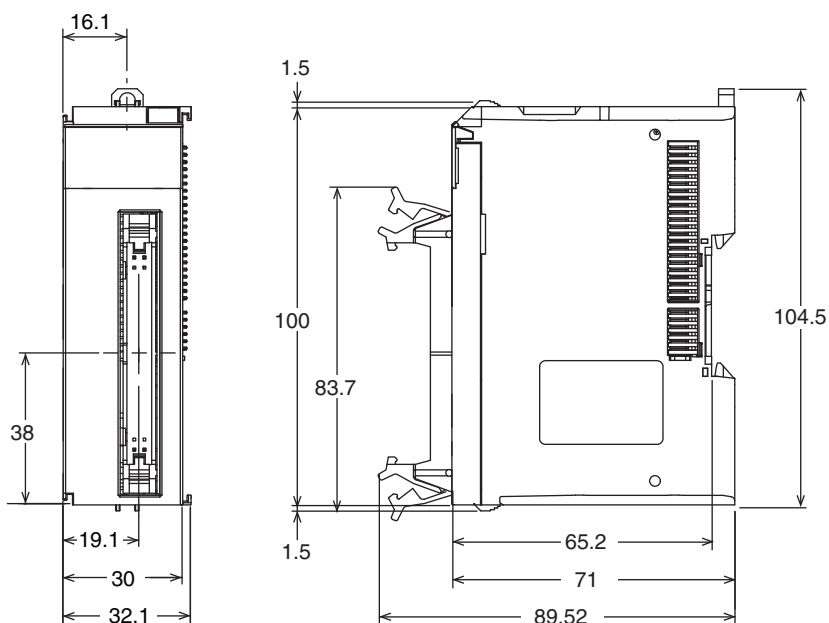
Units with MIL Connectors (1 Connector with 20 terminals)

- 30 mm Width



Units with MIL Connectors (1 Connector with 40 terminals)

● 30 mm Width



Related Manuals

| Cat. No. | Model number | Manual name | Application | Description |
|----------|---|---|---|--|
| W521 | NX-ID□□□□ NX-IA□□□□ NX-OD□□□□ NX-OC□□□□ NX-MD□□□□ | NX-series Digital I/O Units User's Manual | Learning how to use NX-series Digital I/O Units | The hardware, setup methods, and functions of the NX-series Digital I/O Units are described. |

Terms and Conditions of Sale

1. **Offer; Acceptance.** These terms and conditions (these "**Terms**") are deemed part of all quotes, agreements, purchase orders, acknowledgments, price lists, catalogs, manuals, brochures and other documents, whether electronic or in writing, relating to the sale of products or services (collectively, the "**Products**") by Omron Electronics LLC and its subsidiary companies ("**Omron**"). Omron objects to any terms or conditions proposed in Buyer's purchase order or other documents which are inconsistent with, or in addition to, these Terms.
2. **Prices; Payment Terms.** All prices stated are current, subject to change without notice by Omron. Omron reserves the right to increase or decrease prices on any unshipped portions of outstanding orders. Payments for Products are due net 30 days unless otherwise stated in the invoice.
3. **Discounts.** Cash discounts, if any, will apply only on the net amount of invoices sent to Buyer after deducting transportation charges, taxes and duties, and will be allowed only if (i) the invoice is paid according to Omron's payment terms and (ii) Buyer has no past due amounts.
4. **Interest.** Omron, at its option, may charge Buyer 1-1/2% interest per month or the maximum legal rate, whichever is less, on any balance not paid within the stated terms.
5. **Orders.** Omron will accept no order less than \$200 net billing.
6. **Governmental Approvals.** Buyer shall be responsible for, and shall bear all costs involved in, obtaining any government approvals required for the importation or sale of the Products.
7. **Taxes.** All taxes, duties and other governmental charges (other than general real property and income taxes), including any interest or penalties thereon, imposed directly or indirectly on Omron or required to be collected directly or indirectly by Omron for the manufacture, production, sale, delivery, importation, consumption or use of the Products sold hereunder (including customs duties and sales, excise, use, turnover and license taxes) shall be charged to and remitted by Buyer to Omron.
8. **Financial.** If the financial position of Buyer at any time becomes unsatisfactory to Omron, Omron reserves the right to stop shipments or require satisfactory security or payment in advance. If Buyer fails to make payment or otherwise comply with these Terms or any related agreement, Omron may (without liability and in addition to other remedies) cancel any unshipped portion of Products sold hereunder and stop any Products in transit until Buyer pays all amounts, including amounts payable hereunder, whether or not then due, which are owing to it by Buyer. Buyer shall in any event remain liable for all unpaid accounts.
9. **Cancellation; Etc.** Orders are not subject to rescheduling or cancellation unless Buyer indemnifies Omron against all related costs or expenses.
10. **Force Majeure.** Omron shall not be liable for any delay or failure in delivery resulting from causes beyond its control, including earthquakes, fires, floods, strikes or other labor disputes, shortage of labor or materials, accidents to machinery, acts of sabotage, riots, delay in or lack of transportation or the requirements of any government authority.
11. **Shipping; Delivery.** Unless otherwise expressly agreed in writing by Omron:
 - a. Shipments shall be by a carrier selected by Omron; Omron will not drop ship except in "break down" situations.
 - b. Such carrier shall act as the agent of Buyer and delivery to such carrier shall constitute delivery to Buyer;
 - c. All sales and shipments of Products shall be FOB shipping point (unless otherwise stated in writing by Omron), at which point title and risk of loss shall pass from Omron to Buyer; provided that Omron shall retain a security interest in the Products until the full purchase price is paid;
 - d. Delivery and shipping dates are estimates only; and
 - e. Omron will package Products as it deems proper for protection against normal handling and extra charges apply to special conditions.
12. **Claims.** Any claim by Buyer against Omron for shortage or damage to the Products occurring before delivery to the carrier must be presented in writing to Omron within 30 days of receipt of shipment and include the original transportation bill signed by the carrier noting that the carrier received the Products from Omron in the condition claimed.
13. **Warranties.** (a) **Exclusive Warranty.** Omron's exclusive warranty is that the Products will be free from defects in materials and workmanship for a period of twelve months from the date of sale by Omron (or such other period expressed in writing by Omron). Omron disclaims all other warranties, express or implied. (b) **Limitations.** OMRON MAKES NO WARRANTY OR REPRESENTATION, EXPRESS OR IMPLIED, ABOUT NON-INFRINGEMENT, MERCHANTABILITY OR FITNESS FOR A PARTICULAR PURPOSE OF THE PRODUCTS. BUYER ACKNOWLEDGES THAT IT ALONE HAS DETERMINED THAT THE PRODUCTS WILL SUITABLY MEET THE REQUIREMENTS OF THEIR INTENDED USE. Omron further disclaims all warranties and responsibility of any type for claims or expenses based on infringement by the Products or otherwise of any intellectual property right. (c) **Buyer Remedy.** Omron's sole obligation hereunder shall be, at Omron's election, to (i) replace (in the form originally shipped with Buyer responsible for labor charges for removal or replacement thereof) the non-complying Product, (ii) repair the non-complying Product, or (iii) repay or credit Buyer an amount equal to the purchase price of the non-complying Product; provided that in no event shall Omron be responsible for warranty, repair, indemnity or any other claims or expenses regarding the Products unless Omron's analysis confirms that the Products were properly handled, stored, installed and maintained and not subject to contamination, abuse, misuse or inappropriate modification. Return of any Products by Buyer must be approved in writing by Omron before shipment. Omron Companies shall not be liable for the suitability or unsuitability or the results from the use of Products in combination with any electrical or electronic components, circuits, system assemblies or any other materials or substances or environments. Any advice, recommendations or information given orally or in writing, are not to be construed as an amendment or addition to the above warranty. See <http://www.omron247.com> or contact your Omron representative for published information.
14. **Limitation on Liability; Etc.** OMRON COMPANIES SHALL NOT BE LIABLE FOR SPECIAL, INDIRECT, INCIDENTAL, OR CONSEQUENTIAL DAMAGES, LOSS OF PROFITS OR PRODUCTION OR COMMERCIAL LOSS IN ANY WAY CONNECTED WITH THE PRODUCTS, WHETHER SUCH CLAIM IS BASED IN CONTRACT, WARRANTY, NEGLIGENCE OR STRICT LIABILITY. Further, in no event shall liability of Omron Companies exceed the individual price of the Product on which liability is asserted.
15. **Indemnities.** Buyer shall indemnify and hold harmless Omron Companies and their employees from and against all liabilities, losses, claims, costs and expenses (including attorney's fees and expenses) related to any claim, investigation, litigation or proceeding (whether or not Omron is a party) which arises or is alleged to arise from Buyer's acts or omissions under these Terms or in any way with respect to the Products. Without limiting the foregoing, Buyer (at its own expense) shall indemnify and hold harmless Omron and defend or settle any action brought against such Companies to the extent based on a claim that any Product made to Buyer specifications infringed intellectual property rights of another party.
16. **Property; Confidentiality.** Any intellectual property in the Products is the exclusive property of Omron Companies and Buyer shall not attempt to duplicate it in any way without the written permission of Omron. Notwithstanding any charges to Buyer for engineering or tooling, all engineering and tooling shall remain the exclusive property of Omron. All information and materials supplied by Omron to Buyer relating to the Products are confidential and proprietary, and Buyer shall limit distribution thereof to its trusted employees and strictly prevent disclosure to any third party.
17. **Export Controls.** Buyer shall comply with all applicable laws, regulations and licenses regarding (i) export of products or information; (ii) sale of products to "forbidden" or other proscribed persons; and (iii) disclosure to non-citizens of regulated technology or information.
18. **Miscellaneous.** (a) **Waiver.** No failure or delay by Omron in exercising any right and no course of dealing between Buyer and Omron shall operate as a waiver of rights by Omron. (b) **Assignment.** Buyer may not assign its rights hereunder without Omron's written consent. (c) **Law.** These Terms are governed by the law of the jurisdiction of the home office of the Omron company from which Buyer is purchasing the Products (without regard to conflict of law principles). (d) **Amendment.** These Terms constitute the entire agreement between Buyer and Omron relating to the Products, and no provision may be changed or waived unless in writing signed by the parties. (e) **Severability.** If any provision hereof is rendered ineffective or invalid, such provision shall not invalidate any other provision. (f) **Setoff.** Buyer shall have no right to set off any amounts against the amount owing in respect of this invoice. (g) **Definitions.** As used herein, "including" means "including without limitation"; and "Omron Companies" (or similar words) mean Omron Corporation and any direct or indirect subsidiary or affiliate thereof.

Certain Precautions on Specifications and Use

1. **Suitability of Use.** Omron Companies shall not be responsible for conformity with any standards, codes or regulations which apply to the combination of the Product in the Buyer's application or use of the Product. At Buyer's request, Omron will provide applicable third party certification documents identifying ratings and limitations of use which apply to the Product. This information by itself is not sufficient for a complete determination of the suitability of the Product in combination with the end product, machine, system, or other application or use. Buyer shall be solely responsible for determining appropriateness of the particular Product with respect to Buyer's application, product or system. Buyer shall take application responsibility in all cases but the following is a non-exhaustive list of applications for which particular attention must be given: (i) Outdoor use, uses involving potential chemical contamination or electrical interference, or conditions or uses not described in this document. (ii) Use in consumer products or any use in significant quantities. (iii) Energy control systems, combustion systems, railroad systems, aviation systems, medical equipment, amusement machines, vehicles, safety equipment, and installations subject to separate industry or government regulations. (iv) Systems, machines and equipment that could present a risk to life or property. Please know and observe all prohibitions of use applicable to this Product. NEVER USE THE PRODUCT FOR AN APPLICATION INVOLVING SERIOUS RISK TO LIFE OR PROPERTY OR IN LARGE QUANTITIES WITHOUT ENSURING THAT THE SYSTEM AS A WHOLE HAS BEEN DESIGNED TO ADDRESS THE RISKS, AND THAT THE OMRON'S PRODUCT IS PROPERLY RATED AND INSTALLED FOR THE INTENDED USE WITHIN THE OVERALL EQUIPMENT OR SYSTEM.
2. **Programmable Products.** Omron Companies shall not be responsible for the user's programming of a programmable Product, or any consequence thereof.
3. **Performance Data.** Data presented in Omron Company websites, catalogs and other materials is provided as a guide for the user in determining suitability and does not constitute a warranty. It may represent the result of Omron's test conditions, and the user must correlate it to actual application requirements. Actual performance is subject to the Omron's Warranty and Limitations of Liability.
4. **Change in Specifications.** Product specifications and accessories may be changed at any time based on improvements and other reasons. It is our practice to change part numbers when published ratings or features are changed, or when significant construction changes are made. However, some specifications of the Product may be changed without any notice. When in doubt, special part numbers may be assigned to fix or establish key specifications for your application. Please consult with your Omron's representative at any time to confirm actual specifications of purchased Product.
5. **Errors and Omissions.** Information presented by Omron Companies has been checked and is believed to be accurate; however, no responsibility is assumed for clerical, typographical or proofreading errors or omissions.

OMRON AUTOMATION AND SAFETY • THE AMERICAS HEADQUARTERS • Chicago, IL USA • 847.843.7900 • 800.556.6766 • www.omron247.com

OMRON CANADA, INC. • HEAD OFFICE

Toronto, ON, Canada • 416.286.6465 • 866.986.6766 • www.omron247.com

OMRON ELECTRONICS DE MEXICO • HEAD OFFICE

México DF • 52.55.59.01.43.00 • 01-800-226-6766 • mela@omron.com

OMRON ELECTRONICS DE MEXICO • SALES OFFICE

Apodaca, N.L. • 52.81.11.56.99.20 • 01-800-226-6766 • mela@omron.com

OMRON ELETRÔNICA DO BRASIL LTDA • HEAD OFFICE

São Paulo, SP, Brasil • 55.11.2101.6300 • www.omron.com.br

OMRON ARGENTINA • SALES OFFICE

Cono Sur • 54.11.4783.5300

OMRON CHILE • SALES OFFICE

Santiago • 56.9.9917.3920

OTHER OMRON LATIN AMERICA SALES

54.11.4783.5300

OMRON EUROPE B.V. • Wegalaan 67-69, NL-2132 JD, Hoofddorp, The Netherlands. • +31 (0) 23 568 13 00 • www.industrial.omron.eu

Authorized Distributor:

Automation Control Systems

- Machine Automation Controllers (MAC) • Programmable Controllers (PLC)
- Operator interfaces (HMI) • Distributed I/O • Software

Drives & Motion Controls

- Servo & AC Drives • Motion Controllers & Encoders

Temperature & Process Controllers

- Single and Multi-loop Controllers

Sensors & Vision

- Proximity Sensors • Photoelectric Sensors • Fiber-Optic Sensors
- Amplified Photomicrosensors • Measurement Sensors
- Ultrasonic Sensors • Vision Sensors

Industrial Components

- RFID/Code Readers • Relays • Pushbuttons & Indicators
- Limit and Basic Switches • Timers • Counters • Metering Devices
- Power Supplies

Safety

- Laser Scanners • Safety Mats • Edges and Bumpers • Programmable Safety Controllers • Light Curtains • Safety Relays • Safety Interlock Switches