



Produktname | *Product name:* COB Kopflampe / *COB Headlight*

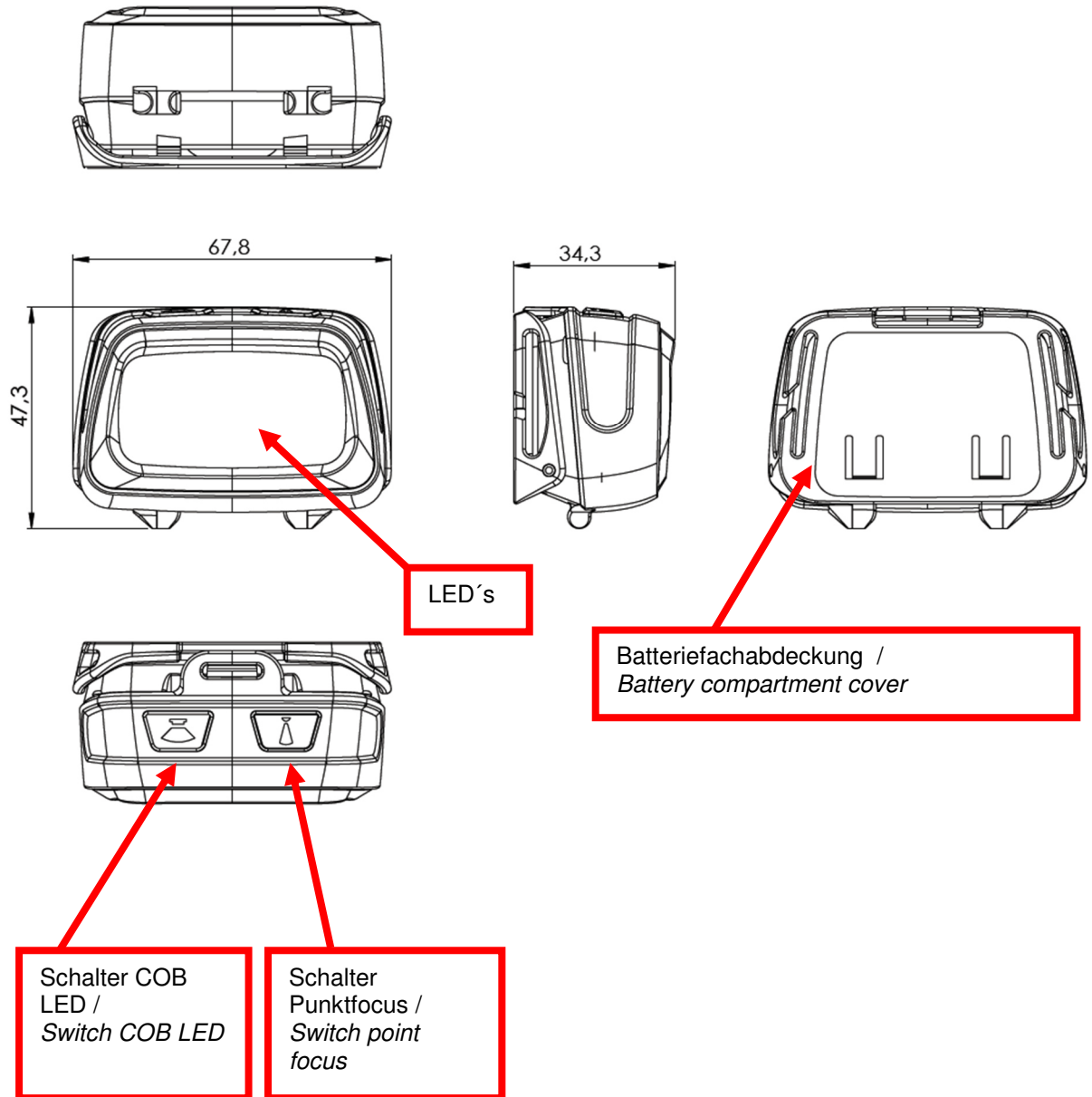
Artikelnummer | *Part Number:* 1600-0198

Anfragenummer | *Inquiry Number:* AN-ML-2017-181

Ersteller / Datum | *Creator / Date:* LHE / 2017-09-11

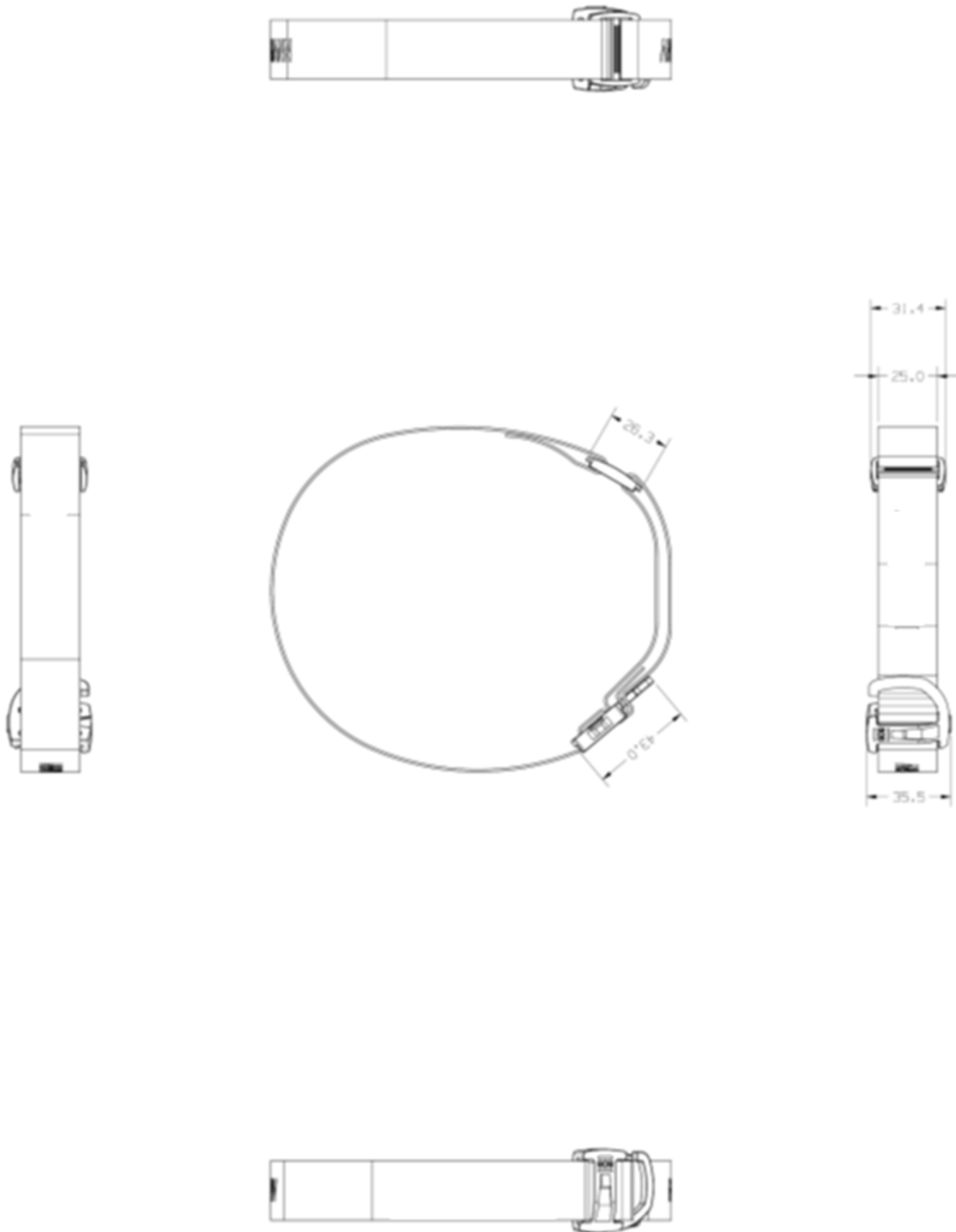
| Version | Change | Date | Name |
|---------|----------------|------------|------|
| | | | |
| | | | |
| | | | |
| V2 | weight changed | 2017-12-04 | LHE |
| V1 | Runtime added | 2017-10-20 | LHE |
| V0 | --- | 2017-09-11 | LHE |

Kopflampe / Headlight:



Allowable deviation / general tolerances DIN ISO 2768-c

Kopfband/ Headstrap:



Kopfband-Länge inkl. Verschluss / Headband length incl. lock: 64cm +/- 2cm

Allowable deviation / general tolerances DIN ISO 2768-c

Technische Daten der Kopflampe / Technical data of the headlight:



| | | | |
|--------------------------|---|------------------------|---|
| Mittel-LED-Leuchtmittel: | 1 x 3W LED (Punkt fokussiert mit etwas Weitwinkel-ausleuchtung) | Middle-LED illuminant: | 1x 3W LED (Point focus with some wide angle illumination) |
| COB-LED: | 1x 1.5W LED (Weitwinkel-ausleuchtung) | COB-LED: | 1x 1.5W LED (wide angle illumination) |
| Schalterfunktion: | <p>Schalter 1:</p> <ol style="list-style-type: none"> 1. Mittel LED 100% + COB LED 100% 2. Mittel LED 100% 3. Aus <p>Schalter 2:</p> <ol style="list-style-type: none"> 1. COB LED 100% 2. COB LED 30% 3. Aus | Switch function: | <p>Switch 1:</p> <ol style="list-style-type: none"> 1. Middle LED 100% + COB LED 100% 2. Middle LED 100% 3. Off <p>Switch 2:</p> <ol style="list-style-type: none"> 1. COB LED 100% 2. COB LED 30% 3. Off |

| | | | |
|--|----------------------|---|-----------------------|
| Lichtstrom max.S1 (100% Mittel- und COB-LED): [Lumen] | 185lm | Luminous flux (light output) max. S1 (100% - middle and COB LED): [Lumen] | 185lm |
| Lichtstrom max.S2 (COB LED weiß): [Lumen] | 125lm | Luminous flux (light output) max. S2 (COB LED white): [Lumen] | 125lm |
| Lichtstrom min. S1 (100% nur Mittel-LED): [Lumen] | 130lm | Luminous flux (light output) min. S1 (100% only middle LED): [Lumen] | 130lm |
| Lichtstrom min. S2 (30% nur COB LED): [Lumen] | 45lm | Luminous flux (light output) max.S2 (30% only COB LED): [Lumen] | 45lm |
| Leuchtdauer max. S1: | ca. 3Stunden | Run time max. S1: | approx. 3h |
| Leuchtdauer min. S1: | ca. 5Stunden 30min | Run time min. S1: | approx. 5h 30min |
| Leuchtdauer max. COB weiß: | ca. 10Stunden | Run time max. COB white: | approx. 10h |
| Leuchtdauer min. COB weiß: | ca. 15Stunden | Run time min. COB white: | approx. 15h |
| Leuchtweite max.: | 50m | Beam distance max.: | 50m |
| Maximale Beleuchtungsstärke max.: [Lux] | 1200lx (Abstand: 1m) | Peak beam illuminance max.: [Lux] | 1200lx (Distance: 1m) |
| Risikogruppe (EN 62471; Bewertet nach DIN IEC/TR 62778 Anhang C.2) | 2 | Risk group (EN 62471; Assessed with TR 62778 Annex C.2) | 2 |

| | | | |
|--|--|--|---|
| Benötigte Zellen: | 3x AAA Micro 1.5V Batterien (Alkaline; LR03/AM4/MN2400) | <i>Battery:</i> | <i>3x AAA Micro 1.5V batteries (Alkaline; LR03/AM4/MN2400)</i> |
| Weitere Funktionen: | - 45° drehbares Gelenk | <i>Further functions:</i> | - 45° turn able hinge |
| Schutzart des Gehäuses: | IP44 | <i>Degree of protection by the enclosure:</i> | <i>IP44</i> |
| Gehäusematerial: | ABS | <i>Housing material:</i> | <i>ABS</i> |
| Betriebstemperatur: | -10°C...25°C | <i>Operating temperature:</i> | <i>-10°C...25°C</i> |
| Lagertemperatur: | -10°C...50°C (Nur Alkaline Batterie/Batterien) -20°C...70°C (Nur Lampe) | <i>Storage temperature:</i> | <i>-10°C...50°C (Alkaline battery/batteries only) -20°C...70°C (Torch only)</i> |
| Empfohlene Lagerbedingungen: (Nur Alkaline Batterie/Batterien) | Temperatur: 5..25°C Luftfeuchtigkeit: 45..75% | <i>Recommended storage conditions: (Alkaline battery/batteries only)</i> | <i>Temperature: 5...25°C Rel. humidity: 45...75 %</i> |
| Approbationen: | CE | <i>Approvals:</i> | <i>CE</i> |
| Gewicht: | 61g nur die Lampe 94g mit 3 x Batterien (wie oben beschrieben) | <i>Weight:</i> | <i>61g only the torch 94g with 3 x batteries (as described above)</i> |
| Lieferumfang: | - 3x Batterien (wie oben beschrieben) ANSMANN Label - Kopfband | <i>Shipment:</i> | <i>- 3x batteries (as described above) ANSMANN label - headband</i> |
| Verpackung: | Klemm-Blister-Verpackung | <i>Package:</i> | <i>Clamp-blister-shell</i> |