



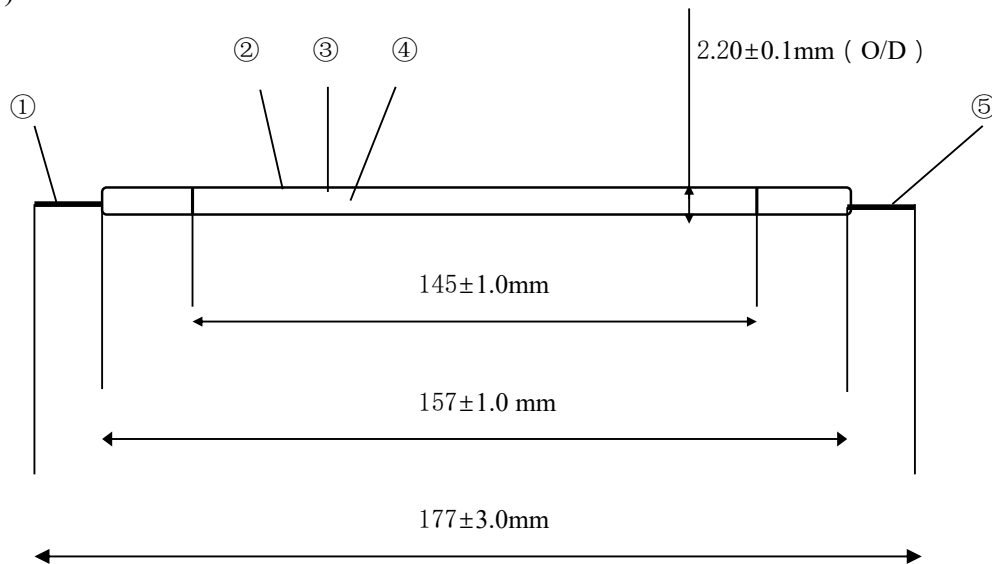
PLAZMO INDUSTRIES

PHONE : 402-330-2222 FAX : 886-499-2235

COLD CATHODE FLOURESCENT LAMP SPECIFICATION

Plazmo Item # 10600110

1) OUTSIDE DIAMETER:



2) CHARACTERISTICS:

Chromaticity		Start Volt. (V)	Lamp Current (m) A	Lamp Volt. (V)	Brightness (cd/m ²)	Life (Hr)
X	Y					
0.300	0.290	920	6.0±0.5	650±30	42000min	50000

3) LAMP MATERIALS:

NO.	PART NAME	MATERIAL	QTY.	REMARKS
①	KOVAR/NICKEL		1	TOSHIBA
②	BULB	HARD GLASS		NEG JAPAN
③	PHOSPHOR			TOYO JAPAN
④	GAS	AR.NE MIX		JAPAN
⑤	KOVAR/NICKEL		1	TOSHIBA

DRAFT	CHECKING	APPROVAL	CODE NO.	REVISE
			10600110	0