

16th August 2017

Product Change Notice

CamdenBoss Ltd wishes to inform you that the items listed below are subject to minor changes.

Type of change: Minor/Cosmetic

Proposed date of change:

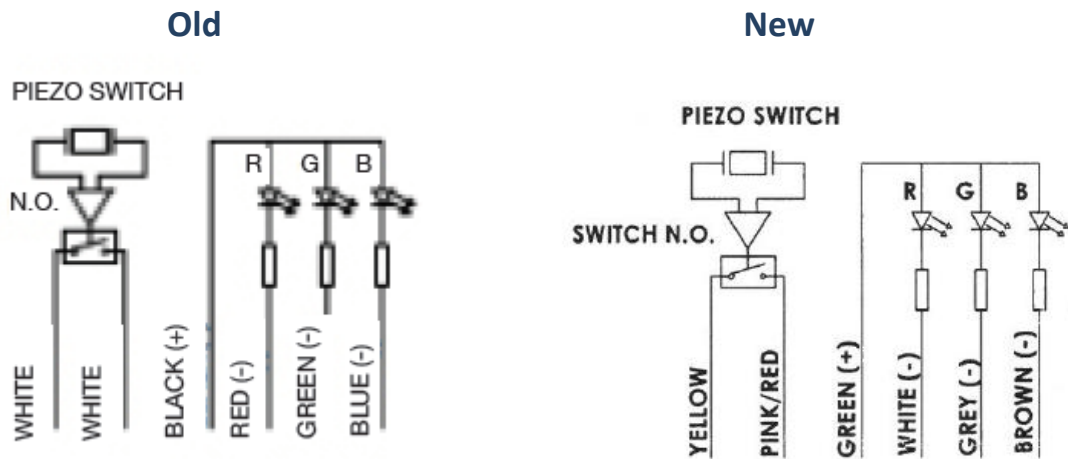
- Immediate, there may be a period of time when both types are on the market until the previous version has been consumed

Affected Products:

- CPS22IF-PLWH-12RGB
- CPS22IF-PLWH-24RGB

Details of Change:

- Switch housing has been extended by 5mm to 25mm due to the addition of a grey plastic ring
- Wire colours have been changed as follows:



Charles Eaton
Technical Support
CamdenBoss Ltd