

**Catalog Number: T16-10-TB**

**Product ID: 7TCI029770R0125**

**UPC Number: 78621060716**

**EAN Number: 05414363115977**

**Status: Active**



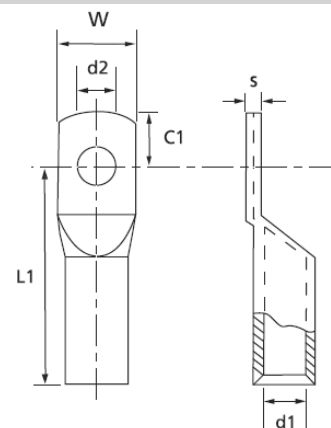
## Non-Insulated Copper Tube Ring Terminal, Wire Size 16mm<sup>2</sup> Bolt Hole M 10

### European Specifications (ETIM)

ETIM	EC001050 Crimp cable lug for copper conductors according to DIN 46235
Bolt dimension metric (M..)	10
Connecting angle	Straight
Number of fixing holes	1
Nominal cross section	16mm <sup>2</sup>
Surface protection	Tinned
Voltage Rating	600V to 35kV
Material	Copper

### Dimensions

Length mm (L1)	38
Tongue Width mm (W)	16.5
Tongue front mm (C1)	12
Inner barrel diameter mm (d1)	5.5
Hole diameter mm (d2)	10.5
Tongue Thickness mm (s)	2.2



### Packaging

Inner Quantity 100