

GE LED Start Decorative Range

Candle, Spherical



DATA SHEET

Product information

GE's new entry level range, the LED Start Decorative lamps offer excellent savings versus Halogen and Compact Fluorescent lamps. Delivering equivalent performance of 30 Watts and 15,000 hours life, in lamps designed to meet standard IEC dimensions, this highly competitive range offers a fantastic growth opportunity for LED.

Features & benefits

- Candle & Spherical
- 350 lumens output
- Extra Warm White 2700K
- 15,000 hours life
- 100% retro-fit
- A+ Energy class

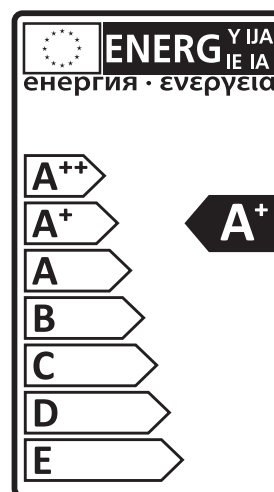
Application areas



Hospitality



Household



Compliance

- IEC62560: Self-ballasted LED-lamps for general lighting services by voltage > 50V – Safety specifications
- IEC62471: Photobiological safety of lamps and lamp systems
- EN55015: Limits and methods of measurement of radio disturbance characteristics of electrical lighting and similar equipment
- EN61547: Equipment for general lighting purposed EMC immunity requirements
- EN61000-3-2: Limits for harmonic current emissions
- EN61000-3-3: Limitation of voltage fluctuations and flicker in low voltage supply systems for equipment with rated current <=16A
- IES LM-79-08: IES approved method for the electrical and photometric measurements of solid-state lighting products
- IES LM-80-08: IES Approved Method: Measuring Lumen Maintenance of LED Light Sources



GE imagination at work

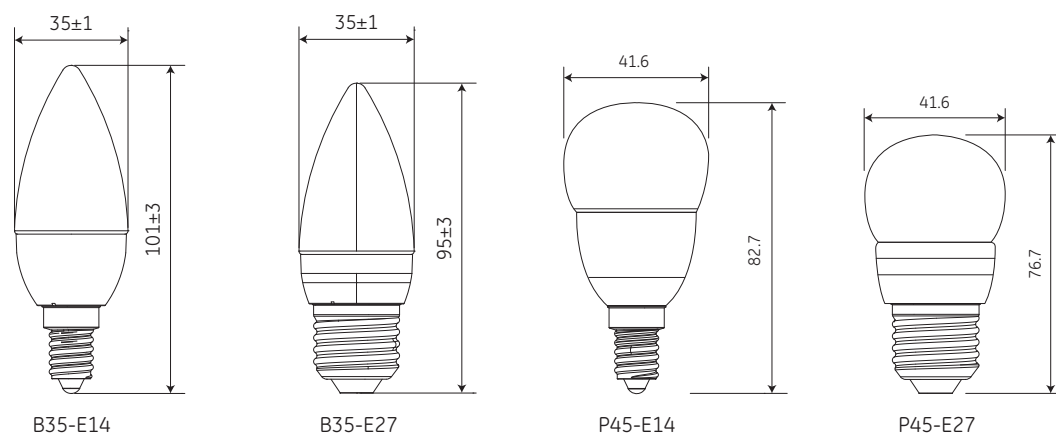
Specification summary

Type	Finish	Base	Rated Power (W)	CCT (K)	Total Lumens	Life L70 (Hrs)	EEC	Energy Consumption (kwh/100h)	Pack Quantity	Product Code
Candle	White	E14	4.5	2700	350	15,000	A+	4.5	1/10	84556
Candle	White	E27	4.5	2700	350	15,000	A+	4.5	1/10	84557
Spherical	White	E14	4.5	2700	350	15,000	A+	4.5	1/6	84560
Spherical	White	E27	4.5	2700	350	15,000	A+	4.5	1/6	84564

Common attributes

- Colour Rendering Index > 80
- Input Voltage 100-240V
- Warm up time: Instant on
- Switching Cycles: 30,000
- Power factor: >0.45

Dimensions [mm]



Operation and maintenance

- Store and use the lamps the same way as traditional incandescent lamps.
- Lamps should be kept free from contamination.
- Ensure lamp is cool before removing.
- Do not use the lamp if the bulb is broken.
- GE LED Start Decor 25W replacements are non-dimmable lamps.