



## Mounting carrier

Item No.: 221-500



Mounting carrier

### Marking

RoHS ✓  
Compliant

### Business data

Supplier	WAGO
Item no.	221-500
GTIN / EAN	4055143421942
Content	1
Order amount	10
Customer item number	

### Notes

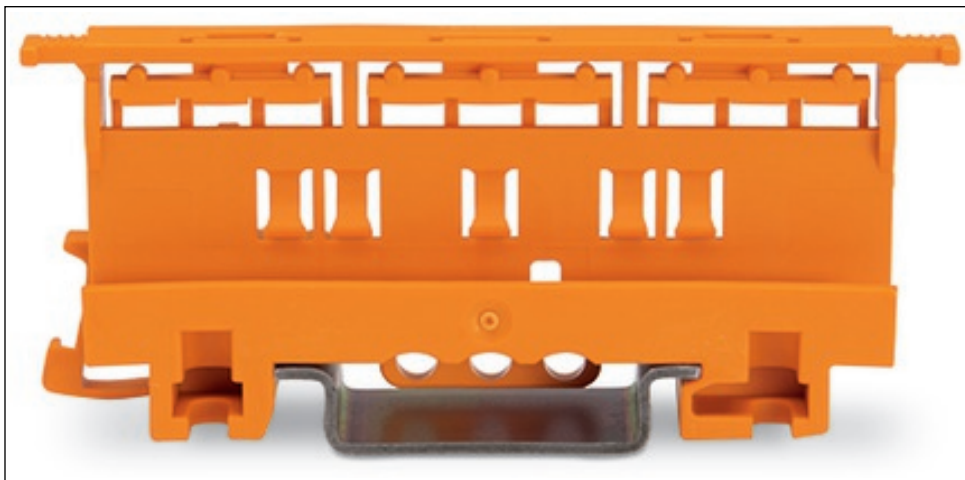
### Technical data

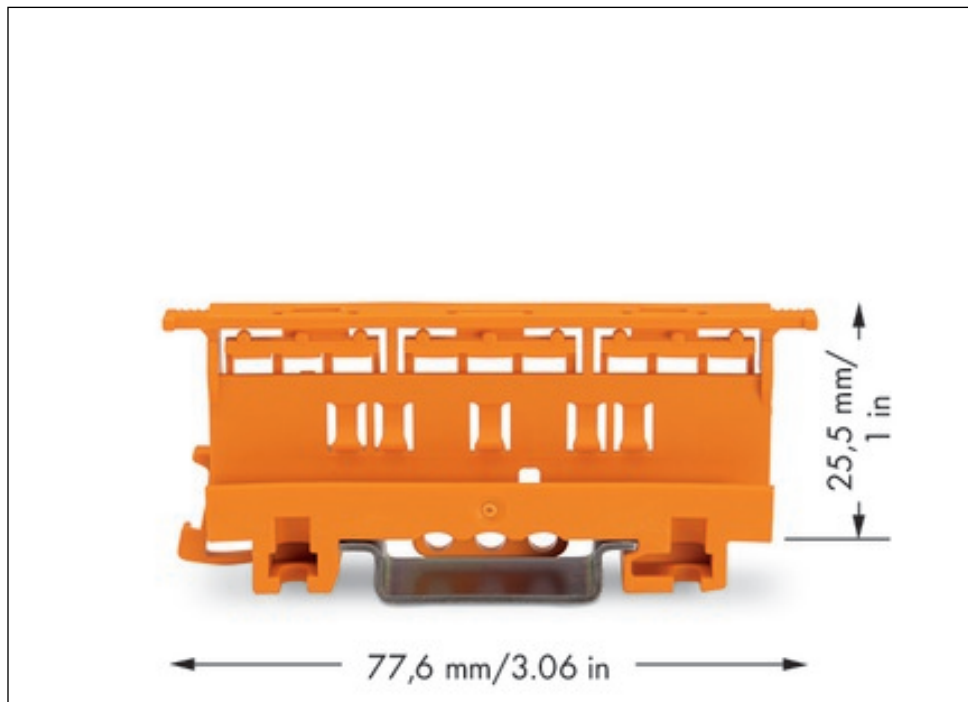
#### Miscellaneous

Packaging type	BOX
Width	17.5 mm / 0.689 Inch
Height from upper-edge of DIN-35 rail	25.5 mm / 1.004 Inch
Depth	77.6 mm / 3.055 Inch
Color	orange
Insulating material	Polyamide 66 (PA 66)

<b>Technical data</b>	
<i>Flammability class per UL94</i>	<i>V0</i>
<i>Fire load [MJ]</i>	<i>0.294 [MJ]</i>
<i>Weight [g]</i>	<i>9.57 [g]</i>
<i>Main product function</i>	<i>Mounting Accessories</i>
<i>Product type</i>	<i>Accessories</i>

Images & drawings





#### Address

WAGO Kontakttechnik GmbH & Co. KG

Hansastr. 27

32423 Minden

Telefon: 0571/887-0

Fax: 0571/887-169

<http://www.wago.com>

© WAGO Kontakttechnik GmbH & Co. KG

Technische Änderungen und Irrtümer vorbehalten.