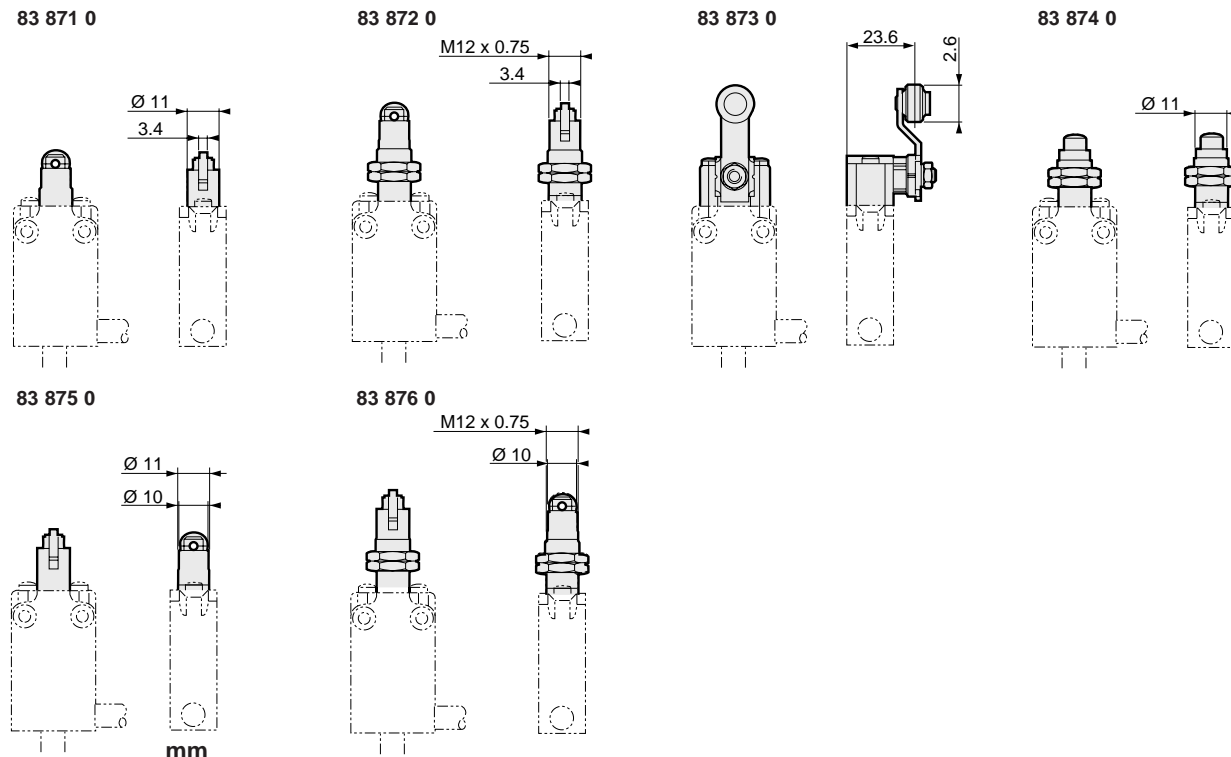
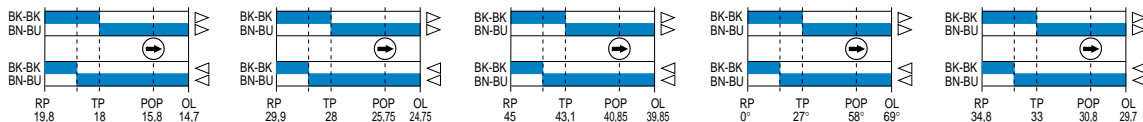


83 870 0	83 871 0	83 872 0	83 873 0	83 874 0
83 870 102	83 871 102	83 872 102	83 873 102	83 874 102
83 870 103	83 871 103	83 872 103	83 873 103	83 874 103

36 (10)	36 (10)	36 (10)	22 in.oz. (15cmN)	36 (10)
108 (30)	108 (30)	108 (30)	52 in.oz. (35cmN)	108 (30)
100 (28)	100 (28)	100 (28)	22 in.oz. (15cmN)	100 (28)
10	10	10	10	10
10.3 (290)	10.4 (295)	11.1 (315)	10.3 (290)	10.9 (310)



To order, please specify:

Standard products

2 Part number

Example : Limit switch 83 871 102; Cable length = 2m

Standard products, non stocked

1 Type

Examples : Limit switch 83 871 103; cable length = 3 m - Limit switch 83 871 006; cable length = 6 m

Products and specifications subject to change without notice.

Order/Technical Support – Tel: (800) 677-5311 / FAX: (800) 677-3865 / www.crouzet-usa.com



83800151	83801051	83802051	83803051	83805051	83806051	83807051
•	•	•	•	•	•	•
10 (35.3)	10 (35.3)	10 (35.3)	7 NcM 10 in.oz.	10 (35.3)	1.2 (4.23)	.8 (2.8)
22 (77.6)	22 (77.6)	22 (77.6)	18 NcM 25 in.oz.	22 (77.6)	2.5 (8.8)	2 (7.05)
1.5 (.06)	1.5 (.06)	1.5 (.06)	15°	1.5 (.06)	8°	8°
0.4 (.016)	0.4 (.016)	0.4 (.016)	6°	0.6 (.24)	2°	2°
5 (.2)	5 (.2)	5 (.2)	60°	5 (.2)	10°	10°
10°	10°	10°	10°	10°	10°	10°
-10 to 70 (-14 to 158)	-20 to 70 (-4 to 158)	-20 to 70 (-4 to 158)	-20 to 70 (-4 to 158)	-10 to 70 (-14 to 158)	-10 to 70 (14 to 158)	-10 to 70 (14 to 158)
IP 55	IP 55	IP 55	IP 55	IP 65	IP65	IP65
50 (1.8)	57 (2)	57 (2)	60 (2.1)	50 (1.8)	50 (2.65)	60 (2.1)

Accessories for 83 803 - Sold separately

Galvanized, passivated steel roller arm. Thermoplastic roller.
Lever supplied with nut, washer and locating block (loose).*

79 210 997

Bent roller lever R: 1 1/8" (30mm)



79 210 998

Straight roller lever R: 11/8" (30mm)



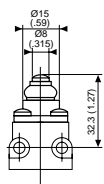
79 215 332

Adjustable
Straight roller lever
1 3/16" → 2 7/8"
(28 → 72mm)

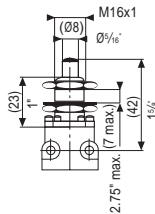


Dimensions

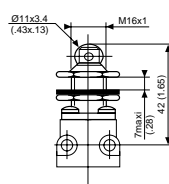
83 800



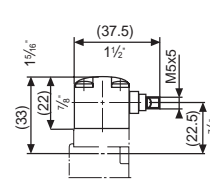
83 801



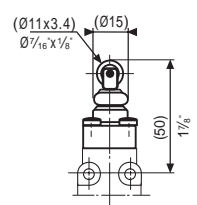
83 802



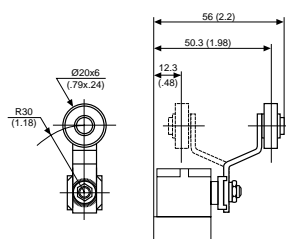
83 803



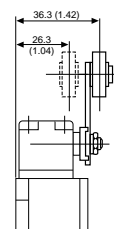
83 805



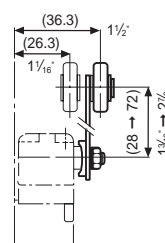
79 210 997



79 210 998



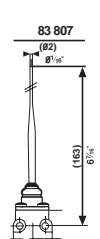
79 215 332



83 806



83 807



mm(in)

To order, specify:

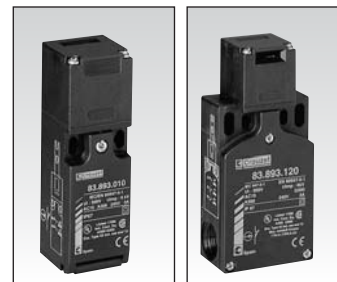
Standard products	1 Part number Example: 83 800 151
Standard products, non stocked	1 Part number 2 Accessory Example: 83 803 0 - Actuator 79 210 997

Products and specifications subject to change without notice.

Order/Technical Support – Tel: (800) 677-5311 / FAX: (800) 677-3865 / www.crouzet-usa.com

Miniature Plastic Key Lock Limit Switches Series 83 893 0 / 83 893 1 IP 67

- Key-operated safety interlock switches for monitoring the moving cover
- Plastic bodies and heads
- Heads have 4 possible positions
- Positive opening contacts



General characteristics

Environment

Conforming to standards	Products	IEC 947-5-1, EN 60 947-5-1, UL 508, CSA C22-2 no.14, JIS C4520 (See P. 2/2 and 2/3)
	Machine assemblies	IEC 204-1, EN 60 204-1, EN 1088, EN 292
Certifications		UL, CSA
Protective treatment		In normal operation: "TC"
Temperature	Use	-25°C, +70°C
	Stored	-40°C, +70°C
Vibration resistance		5 gn (10...500 Hz) according to IEC 68-2-6
Shock resistance		10 gn (duration 11 ms) according to IEC 28-2-27
Degree of protection		IP 67 according to IEC 529 and IEC 947-5-1
Cable entry		Cable gland 11

Electrical characteristics

Assigned working characteristics	AC 15 A 300 Ue = 240 V, Ie = 3A or Ue = 120 V, Ie = 6 A
	DC 13 Q 300 Ue = 250 V, Ie = 0.27 A or Ue = 125 V, Ie = 0.55 A
Assigned insulation voltage	Ui = 500 V according to IEC 947-5-1 Ui = 300 V according to UL 508, CSA C22-2 no. 14
Assigned impulse voltage	Uimp = 6 KV acc. to IEC 947-5-1
Thermal rating	Ithe = 10 A according to IEC 947-5-1
Electric shock protection	Class 2 according to IEC 536
Resistance between terminals	30 m according to IEC 954-5-4
Short-circuit protection	Cartridge fuse 10 A gG (gl)
Connection	Screw clamp terminals Clamping capacity min. 1 x 0.5 mm ² , max. 1.5 mm ² with or without ferrule
Electrical life	According to IEC 947-5-1 appendix C

Part numbers






Type of contact

NC+NO	2-pole contact NC+NO break before make, slow action	83 893 001
NC+NC	2-pole contact NC+NC, slow action	83 893 010
NC+NO+NO	3-pole contact NC+NO+NO (2 NO bbm) + slow action	83 893 120
NC+NC+NO	3-pole contact NC+NC+NO (NO bbm) + slow action	83 893 130

Additional characteristics

Maximum actuation speed	0.5 m/s	0.5 m/s
Minimum actuation speed	0.01 m/s	0.01 m/s
Resistance to removal of key	10 N	10 N
Mechanical life	1 million operating cycles	1 million operating cycles
Maximum operating frequency	600 operating cycles per hour	600 operating cycles per hour
Minimum positive opening force	15 N	15 N
Pg 11 cable entry according to NFC 68 300	1	2
Thermal rating (Ith)	10 A	10 A
Assigned insulation voltage (Ui)	500 V	500 V
Weight	0.110 kg	0.160 kg

Accessories

Straight key		79 214 581
Key with wide fixing bar		79 214 582
Short key with wide fixing bar		79 214 585
Angled key		79 214 584
Flexible key		79 214 583

To order, specify:

Standard products

1

Part number

Example: Safety limit switch 83 893 001 - Straight key 79 214 581

2

Accessory

Standard products, non stocked

2

Accessory

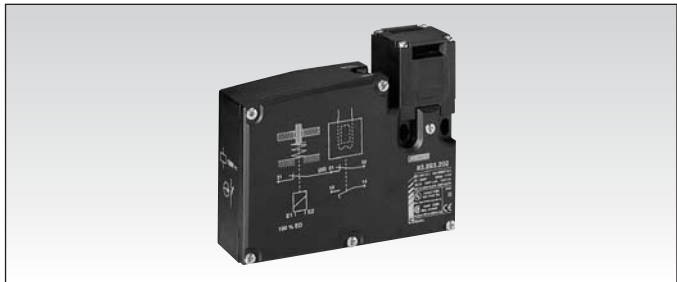
Example: Straight key 79 214 581

Products and specifications subject to change without notice.

Order/Technical Support – Tel: (800) 677-5311 / FAX: (800) 677-3865 / www.crouzet-usa.com

Solenoid Operated Plastic Key Lock Limit Switches Series 83 893 2 IP 67

- Monitoring of the moving cover for machines with a stopping time which is greater than the time taken to access the danger zone
- Locked by removing the voltage, unlocked by applying voltage to the electromagnet
- Plastic bodies and heads
- Heads have 4 possible positions
- Positive opening contacts



General characteristics

Environment

Conforming to standards	Products	IEC 947-5-1, EN 60 947-5-1, UL 508, CSA C22-2 no. 14, JIS C4520
	Machine assemblies	IEC 204-1, EN 60 204-1, EN 1088, EN 292
Certifications		UL, CSA
Protective treatment		In normal operation: "TC"
Temperature	Use	-25°C, +70°C
	Stored	-40°C, +70°C
Vibration resistance		5 gn (10...500 Hz) according to IEC 68-2-6
Shock resistance		10 gn (duration 11 ms) according to IEC 28-2-27
Degree of protection		IP 67 according to IEC 529 and IEC 947-5-1
Cable entry		One entry per cable gland 11

Electrical characteristics

Assigned working characteristics	AC 15 B300 Ue = 240 V, Ie = 1.5 A or Ue = 120 V, Ie = 3 A DC 13 Q300 Ue = 250 V, Ie = 0.27 A or Ue = 125 V, Ie = 0.55 A
Assigned insulation voltage	Ui = 500 V according to IEC 947-5-1 Ui = 300 V according to UL 508, CSA C22-2 no. 14
Assigned impulse voltage	Uimp = 4 KV acc. to IEC 947-5-1
Thermal rating	Ithe = 6 A according to IEC 947-5-1
Electric shock protection	Class 2 according to IEC 536
Resistance between terminals	3 0 m according to IEC 954-5-4
Short-circuit protection	Cartridge fuse 10 A gG (gl)
Connection	Screw clamp terminals Clamping capacity min. 1 x 0.5 mm ² , max. 1.5 mm ² with or without ferrule
Electrical life	According to IEC 947-5-1 appendix C

Part numbers




Type of contact

NC+NO	2-pole contact NC+NO break before make, slow action	83 893 201	83 893 202	83 893 203
-------	---	-------------------	-------------------	-------------------

Additional characteristics

Electromagnet supply voltage (50/60 Hz in ~)	24 V ~/~/ 120 V ~/~/ 230 V ~/~/
Maximum actuation speed	0.5 m/s
Minimum actuation speed	0.01 m/s
Resistance to removal of key	500 N
Mechanical life	1 million operating cycles
Maximum operating frequency	600 operating cycles per hour
Minimum positive opening force	15 N
Pg 11 cable entry according to NFC 68 300	1
Weight	0.360 kg

Accessories

Straight key		79 214 581
Key with wide fixing bar		79 214 582
Short key with wide fixing bar		79 214 585
Angled key		79 214 584
Flexible key		79 214 583

To order, specify:

Standard products

1 Part number **2** Accessory
Example: Safety limit switch 83 893 201 - Angled key 79 214 584

Standard products, non stocked

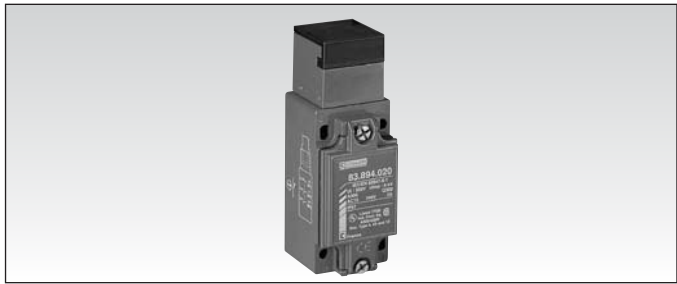
1 Part number **2** Accessory
Example: Safety limit switch 83 893 203 - Straight key 79 214 581

Products and specifications subject to change without notice.

Order/Technical Support – Tel: (800) 677-5311 / FAX: (800) 677-3865 / www.crouzet-usa.com

Industrial Metal Key Lock Limit Switches Series 83 894 0 IP 67

- Spade terminal safety interlock switch for monitoring the moving cover
- Metal bodies and heads
- Heads have 4 possible positions
- Positive opening contacts



General characteristics

Environment

Conforming to standards	Products	IEC 947-5-1, EN 60 947-5-1, UL 508, CSA C22-2 no.14, JIS C4520
	Machine assemblies	IEC 204-1, EN 60 204-1, EN 1088, EN 292
Certifications		UL, CSA
Protective treatment		In normal operation: "TC"
Temperature	Use	-25°C, +70°C
	Stored	-40°C, +70°C
Vibration resistance		5 gn (10...500 Hz) according to IEC 68-2-6
Shock resistance		10 gn (duration 11 ms) according to IEC 28-2-27
Degree of protection		IP 67 according to IEC 529 and IEC 947-5-1
Cable entry		One threaded entry for cable gland 13

Electrical characteristics

Assigned working characteristics	AC 15 A 300 Ue = 240 V, Ie = 3 A or Ue = 120 V, Ie = 6 A DC 13 Q 300 Ue = 250 V, Ie = 0.27 A or Ue = 125 V, Ie = 0.55 A
Assigned insulation voltage	Ui = 500 V according to IEC 947-5-1 Ui = 300 V according to UL 508, CSA C22-2 no.14
Assigned impulse voltage	Uimp = 6 KV according to IEC 947-5-1
Thermal rating	Ithe = 10 A according to IEC 947-5-1
Electric shock protection	Class 2 according to IEC 536
Resistance between terminals	3 0 m according to IEC 954-5-4
Short-circuit protection	Cartridge fuse 10 A gG (gl)
Connection	Screw clamp terminals Clamping capacity min. 1 x 0.5 mm ² , max. 1.5 mm ² with or without ferrule
Electrical life	According to IEC 947-5-1 appendix C

Part numbers

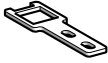

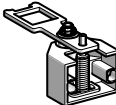
Type of contact

NC+NO+NO	3-pole contact	83 894 020
	NC+NO+NO (2 NO btm) slow action	



Additional characteristics

Maximum actuation speed	0.5 m/s
Minimum actuation speed	0.01 m/s
Resistance to removal of key	10 N
Mechanical life	> 1 million operating cycles
Maximum operating frequency	600 operating cycles per hour
Minimum positive opening force	20 N
Cable entry (DIN Pg 13.5 cable gland 13) according to NFC 68 300	1
Weight	0.360 kg

Accessories

Straight key		79 214 578
Key with wide fixing bar		79 214 579
Flexible key		79 214 580

To order, specify:

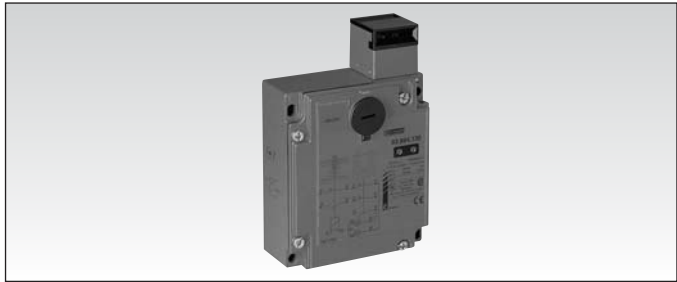
 Standard products	1 Part number Example: Safety limit switch 83 894 020 - Wide key 79 214 579	2 Accessory
 Standard products, non stocked	2 Accessory Example: Flexible key 79 214 580	

Products and specifications subject to change without notice.

Order/Technical Support – Tel: (800) 677-5311 / FAX: (800) 677-3865 / www.crouzet-usa.com

Solenoid Operated Metal Key Lock Limit Switches Series 83 894 1

- Monitoring of the moving cover for machines with a stopping time which is greater than the time taken to access the danger zone
- Locked by removing the voltage, unlocked by applying voltage to the electromagnet
- Metal bodies and heads
- Heads have 4 possible positions
- Positive opening contacts



General characteristics

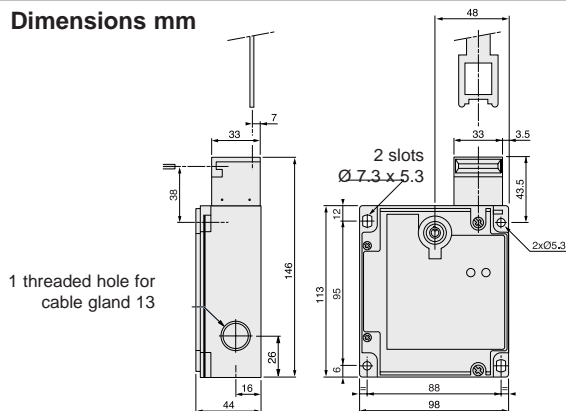
Environment

Conforming to standards	Products	IEC 947-5-1, EN 60 947-5-1, UL 508, CSA C22-2 no.14, JIS C4520 (See P. 3/14)
	Machine assemblies	IEC 204-1, EN 60 204-1, EN 1088, EN 292
Certifications		UL, CSA
Protective treatment		In normal operation: "TC"
Temperature	Use	-25°C, +70°C
	Stored	-40°C, +70°C
Vibration resistance		5 gn (10...500 Hz) according to IEC 68-2-6
Shock resistance		10 gn (duration 11 ms) according to IEC 28-2-27
Degree of protection		IP 67 according to IEC 529 and IEC 947-5-1
Cable entry		Threaded entry for cable gland 13

Electrical characteristics

Assigned working characteristics	AC 15 B300 Ue = 240 V, Ie = 1.5 A or Ue = 120 V, Ie = 3 A DC 13 Q300 Ue = 250 V, Ie = 0.27 A or Ue = 125 V, Ie = 0.55 A
Assigned insulation voltage	Ui = 500 V according to IEC 947-5-1 Ui = 300 V according to UL 508, CSA C22-2 no. 14
Assigned impulse voltage	Uimp = 4 KV according to IEC 947-5-1
Thermal rating	Ithe = 6 A according to IEC 947-5-1
Electric shock protection	Class 2 according to IEC 536
Resistance between terminals	3 0 m according to IEC 954-5-4
Short-circuit protection	Cartridge fuse 10 A gG (gl)
Connection	Screw clamp terminals Clamping capacity min. 1 x 0.5 mm ² , max. 1.5 mm ² with or without ferrule
Electrical life	According to IEC 947-5-1 appendix C

Dimensions mm



Part numbers

Type of contact

NC+NO+NO 3-pole contact NC+NO+NO (2 NO bbm) + slow action	83 894 120	83 894 121	83 894 122
NC+NC+NO 3-pole contact NC+NC+NO (NO bbm) slow action	83 894 130	83 894 131	83 894 132

Additional characteristics

Electromagnet supply voltage (50 / 60 Hz in ~)	24 V ~/∞ 120 V ~/∞ 230 V ~/∞
Maximum actuation speed	0.5 m/s
Minimum actuation speed	0.01 m/s
Resistance to removal of key	2000 N
Mechanical life	> 1 million operating cycles
Maximum operating frequency	600 operating cycles per hour
Minimum positive opening force	20 N
Cable entries Pg 13 according to NFC 68 300	2
Weight	1.140 kg



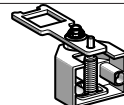
Electromagnet characteristics

Load factor	100%
Voltage limits	-20% ; +10 %
Service life	20,000 hours
Consumption	Inrush 10 VA Sealed 10 VA

Indicator characteristics

Assigned insulation voltage according to IEC 947-5-1	50 V	250 V	250 V
Current consumption	7 mA	7 mA	7 mA
Assigned working voltage ~ or ∞	24 V	110 / 240 V	110 / 240 V
Voltage limits ~ or ∞ (including ripple)	20...52 V	95...264 V	95...264 V
Service life			
Protection against voltage surges	100,000 hrs yes	100,000 hrs yes	100,000 hrs yes

Accessories

Straight key		79 214 578
Wide key		79 214 579
Flexible key		79 214 580

To order, specify:

Standard products **1** Part number
Example: Safety limit switch 83 894 120 - Wide key 79 214 579

Standard products, non stocked **1** Part number **2** Accessory
Example: Safety limit switch 83 894 132 - Straight key 79 214 578

Products and specifications subject to change without notice.

Order/Technical Support – Tel: (800) 677-5311 / FAX: (800) 677-3865 / www.crouzet-usa.com