

L-1

Design icon and productivity booster

LUXO



Description

A prime example of how versatility, quality and stylish design can produce a product of such long-lasting popularity. L-1 is the world's original architect lamp designed in 1937 by Luxo's founder, Jac Jacobsen. Since its creation, 25 million L-1 luminaires have been sold worldwide, and L-1 has been distinguished by many prestigious awards in the world of industrial design. The unique design and flexible spring-balanced arm have earned L-1 a place among the world's all time classics.

Standard with table clamp. Table base and integrated table mounts available on demand.

Colours: Chrome, white, black or silver grey.



Table baseThe solid table base is an accessory that must be ordered separately.

L-1

Design icon and productivity booster



Technical description

BODY MATERIAL & COLOUR

Steel arm and aluminium shade. Colours: chrome, white, black or aluminium grey.

OPTICS

Symmetric light output. Inner shade painted white for maximum efficiency.

SENSORS

A box with a presence detection feature may be mounted under the table top. TT table mount and sensor box is sold in combination.

LIGHT SOURCE

Supplied with 1 x TC-HSE 11 W. L-1 is certified for maximum 40 W.

MOUNTING OPTIONS

Standard with table clamp (A-clamp). Table base and integrated table mounts (TT table mount and TE bushing) are available on request.

ARM TECHNOLOGY AND MOVEMENT

Parallel, spring-balanced, three-pivot arm. Arm length is 100 cm. Up-and-down and rotational head movement. NB! Allowing for upward head tilt creates more flexibility but may cause unwanted glare.

L-1

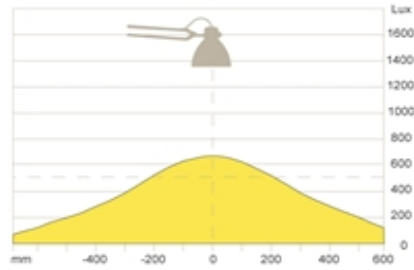
Design icon and productivity booster



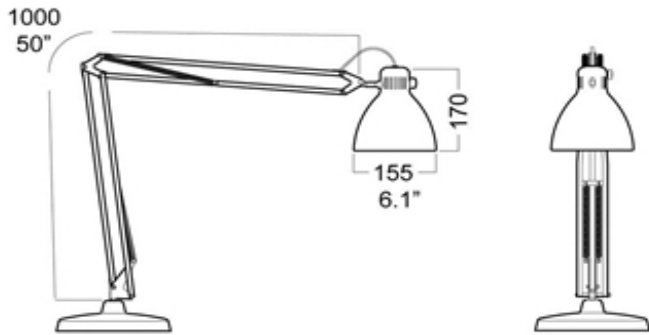
Illustrations



L-1 is available in black, white, grey or chrome. The solid table base is an accessory.



L-1



L-1