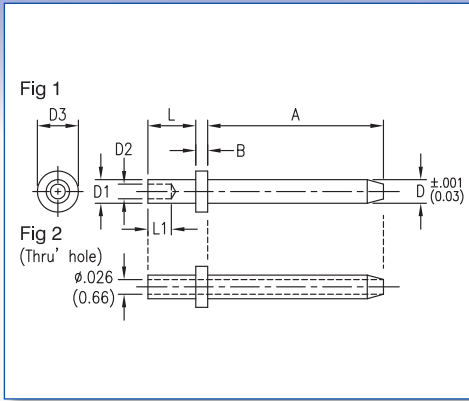


CONNECTOR PINS - STRAIGHT

Dimensions in inches (mm)
See page 93/94 for recommended
Anvil and Punch



How to order code

460 - XXXX - XX - XX - 00

Basic Part No. | 'L' Length | Finish

Material Code Table		
Component	Material	RoHS
Pin	Brass	✓

Finish Code Table		
Dash No.	Pin Finish	RoHS
-03	Gold over Nickel	✓
-04	Electro-Tin	✓

Fig.	Basic Part No.	'L' Length	Board Thickness	L1	A	B	D	D1	D2	D3	Mtg. Hole Diameter
1	460-2599 -01	.051(1.30)	.031(0.79)	.035(0.89)	.156(3.96)	.030(0.76)	.017(0.43)	.049(1.24)	.033(0.84)	.078(1.98)	.052(1.32)
	-02	.082(2.08)	.062(1.57)	.062(1.57)							
	-03	.113(2.87)	.094(2.39)								
	-04	.145(3.68)	.125(3.18)								
	460-5247 -01	.061(1.55)	.025(0.64)	-	.157(3.99)	.016(0.41)	.017(0.43)	.019(0.48)	-	.039(0.99)	.025(0.64)
	-02	.075(1.91)	.040(1.02)								
	460-2620 -01	.051(1.30)	.031(0.79)	.040(1.02)	.150(3.81)	.020(0.51)	.025(0.64)	.031(0.79)	.020(0.51)	.050(1.27)	.035(0.89)
	-02	.082(2.08)	.062(1.57)								
	460-2621 -01	.051(1.30)	.031(0.79)	.040(1.02)	.300(7.62)	.020(0.51)	.025(0.64)	.031(0.79)	.020(0.51)	.050(1.27)	.035(0.89)
	-02	.082(2.08)	.062(1.57)								
	460-2625 -01	.051(1.30)	.031(0.79)	.040(1.02)	.150(3.81)	.170(4.32)	.025(0.64)	.031(0.79)	.020(0.51)	.050(1.27)	.035(0.89)
	-02	.082(2.08)	.062(1.57)								
	460-2626 -01	.051(1.30)	.031(0.79)	.040(1.02)	.150(3.81)	.420(10.67)	.025(0.64)	.031(0.79)	.020(0.51)	.050(1.27)	.035(0.89)
	-02	.082(2.08)	.062(1.57)								
	460-3231 -01	.051(1.30)	.031(0.79)	.035(0.89)	.125(3.18)	.025(0.64)	.025(0.64)	.040(1.02)	.025(0.64)	.062(1.57)	.043(1.09)
	-02	.082(2.08)	.062(1.57)								
	-03	.113(2.87)	.094(2.39)								
	460-3393 -01	.062(1.57)	.031(0.79)	.040(1.02)	.125(3.18)	.030(0.76)	.025(0.64)	.058(1.47)	.040(1.02)	.078(1.98)	.062(1.57)
	-02	.094(2.39)	.062(1.57)								
	-03	.125(3.18)	.094(2.39)								
	-04	.156(3.96)	.125(3.18)								
	460-2983 -01	.051(1.30)	.031(0.79)	.040(1.02)	.300(7.62)	.020(0.51)	.031(0.79)	.040(1.02)	.025(0.64)	.070(1.78)	.043(1.09)
	-02	.082(2.08)	.062(1.57)								
	-03	.113(2.87)	.094(2.39)								
460-2984 -01	.051(1.30)	.031(0.79)	.040(1.02)	.150(3.81)	.020(0.51)	.031(0.79)	.040(1.02)	.025(0.64)	.070(1.78)	.043(1.09)	
-02	.082(2.08)	.062(1.57)									
-03	.113(2.87)	.094(2.39)									
460-2627 -01	.051(1.30)	.031(0.79)	.040(1.02)	.150(3.81)	.170(4.32)	.040(1.02)	.040(1.02)	.025(0.64)	.070(1.78)	.043(1.09)	
-02	.082(2.08)	.062(1.57)									
-03	.113(2.87)	.094(2.39)									
460-2628 -01	.051(1.30)	.031(0.79)	.040(1.02)	.150(3.81)	.420(10.67)	.040(1.02)	.040(1.02)	.025(0.64)	.070(1.78)	.043(1.09)	
-02	.082(2.08)	.062(1.57)									
-03	.113(2.87)	.094(2.39)									

CONNECTOR PINS - STRAIGHT

Fig.	Basic Part No.	'L' Length	Board Thickness	L1	A	B	D	D1	D2	D3	Mtg. Hole Diameter
1	460-2946 -01	.051(1.30)	.031(0.79)	.040(1.02)	.500(12.70)	.020(0.51)	.040(1.02)	.040(1.02)	.025(0.64)	.070(1.78)	.043(1.09)
	-02	.082(2.08)	.062(1.57)								
	-03	.113(2.87)	.094(2.39)								
	460-2947 -01	.051(1.30)	.031(0.79)	.040(1.02)	.750(19.05)	.020(0.51)	.040(1.02)	.040(1.02)	.025(0.64)	.070(1.78)	.043(1.09)
	-02	.082(2.08)	.062(1.57)								
	-03	.113(2.87)	.094(2.39)								
	460-2948 -01	.051(1.30)	.031(0.79)	.040(1.02)	1.000(25.40)	.020(0.51)	.040(1.02)	.040(1.02)	.025(0.64)	.070(1.78)	.043(1.09)
	-02	.082(2.08)	.062(1.57)								
	-03	.113(2.87)	.094(2.39)								
	460-2970 -01	.051(1.30)	.031(0.79)	.040(1.02)	.300(7.62)	.020(0.51)	.040(1.02)	.040(1.02)	.025(0.64)	.070(1.78)	.043(1.09)
	-02	.082(2.08)	.062(1.57)								
	-03	.113(2.87)	.094(2.39)								
	460-2971 -01	.051(1.30)	.031(0.79)	.040(1.02)	.150(3.81)	.020(0.51)	.040(1.02)	.040(1.02)	.025(0.64)	.070(1.78)	.043(1.09)
	-02	.082(2.08)	.062(1.57)								
	-03	.113(2.87)	.094(2.39)								
	460-2976 -01	.051(1.30)	.031(0.79)	.040(1.02)	.188(4.78)	.020(0.51)	.040(1.02)	.040(1.02)	.025(0.64)	.070(1.78)	.043(1.09)
	-02	.082(2.08)	.062(1.57)								
	-03	.113(2.87)	.094(2.39)								
460-3220 -01	.062(1.57)	.031(0.79)	.040(1.02)	.188(4.78)	.020(0.51)	.045(1.14)	.060(1.52)	.042(1.07)	.094(2.39)	.064(1.63)	
-02	.094(2.39)	.062(1.57)									
-03	.125(3.18)	.094(2.39)									
-04	.155(3.94)	.125(3.18)									
460-3342 -01	.053(1.35)	.031(0.79)	.050(1.27)	.188(4.78)	.025(0.64)	.062(1.57)	.062(1.57)	.043(1.09)	.094(2.39)	.067(1.70)	
-02	.084(2.13)	.062(1.57)									
-03	.115(2.92)	.094(2.39)									
460-1524 -01	.051(1.30)	.031(0.79)	.040(1.02)	.500(12.70)	.030(0.76)	.080(2.03)	.090(2.29)	.067(1.70)	.156(3.96)	.094(2.39)	
-02	.082(2.08)	.062(1.57)									
-03	.113(2.87)	.094(2.39)									
460-2629 -02	.094(2.39)	.062(1.57)	.062(1.57)	.375(9.53)	.025(0.64)	.080(2.03)	.090(2.29)	.064(1.63)	.125(3.18)	.094(2.39)	
-03	.125(3.18)	.094(2.39)									
-04	.156(3.96)	.125(3.18)									
2	460-2956 -01	.051(1.30)	.031(0.79)	-	.500(12.70)	.020(0.51)	.040(1.02)	.040(1.02)	-	.070(1.78)	.043(1.09)
	-02	.082(2.08)	.062(1.57)								
	-03	.113(2.87)	.094(2.39)								
	460-2957 -01	.051(1.30)	.031(0.79)	-	.750(19.05)	.020(0.51)	.040(1.02)	.040(1.02)	-	.070(1.78)	.043(1.09)
	-02	.082(2.08)	.062(1.57)								
	-03	.113(2.87)	.094(2.39)								
	460-2958 -01	.051(1.30)	.031(0.79)	-	1.000(25.40)	.020(0.51)	.040(1.02)	.040(1.02)	-	.070(1.78)	.043(1.09)
	-02	.082(2.08)	.062(1.57)								
	-03	.113(2.87)	.094(2.39)								
	460-3232 -01	.051(1.30)	.031(0.79)	-	.300(7.62)	.020(0.51)	.040(1.02)	.040(1.02)	-	.070(1.78)	.043(1.09)
	-02	.082(2.08)	.062(1.57)								
	-03	.113(2.87)	.094(2.39)								
	460-3233 -01	.051(1.30)	.031(0.79)	-	.150(3.81)	.020(0.51)	.040(1.02)	.040(1.02)	-	.070(1.78)	.043(1.09)
	-02	.082(2.08)	.062(1.57)								
	-03	.113(2.87)	.094(2.39)								
460-3241 -01	.051(1.30)	.031(0.79)	-	.100(2.54)	.020(0.51)	.040(1.02)	.040(1.02)	-	.070(1.78)	.043(1.09)	
-02	.082(2.08)	.062(1.57)									
-03	.113(2.87)	.094(2.39)									