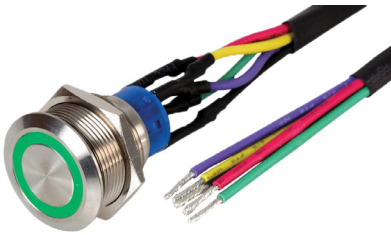


Metal Pushbutton Switch



RoHS
Compliant



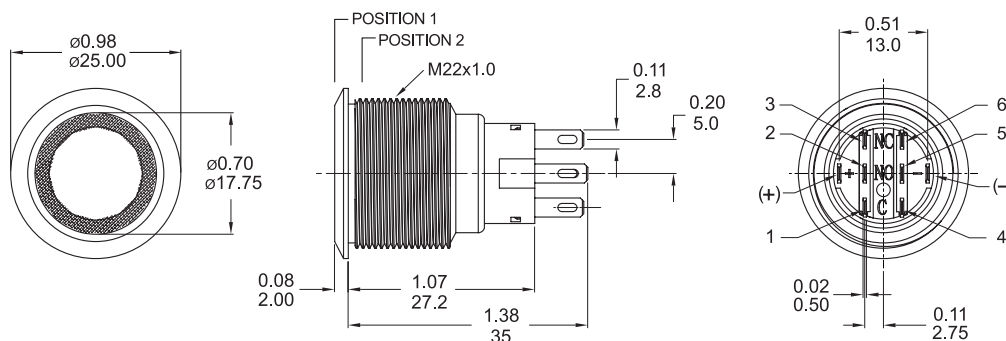
Specifications

Rating	: 1th 5A/250V AC resistive load 3A/250V AC
Contact Resistance	: 50mΩ MAX.@1A 12V DC (initial value)
Insulation Resistance	: 1,000MΩ min at 500V DC
Dielectric Strength	: 2,000V RMS @ sea level
Operating Temperature	: -20°C to +55°C
Mechanical Life	: Self-lock 500,000 cycles
Electrical Life	: 50,000 make-and-break cycles at full load
Torque	: 5 ~ 14Nm
Panel Thickness	: 10mm (Ø22.2mm)
Operation Pressure	: 1Pole 2.5±1N
Travel	: About 3.2mm
Ingress Protection	: IP67, IK10 (Stainless)
Lead Free	

Material

Bushing	: Stainless Steel
Base	: PBT (UL 94-V0) , PC (UL 94-V2)
Actuator	: PC; Stainless Steel
Inner Assembly	: POM / PA66
Spring	: Spring Steel
Sealing	: Silicone
O-Ring	: Silicone
Terminal / Contact	: Copper, Silver Plated
Hex Nut	: Nickel Plated Brass

Diagram



Dimensions : Inches (Millimetres)

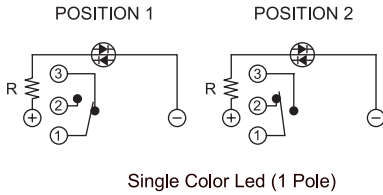
www.element14.com
www.farnell.com
www.newark.com



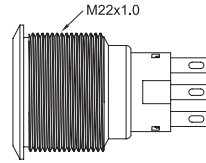
Metal Pushbutton Switch



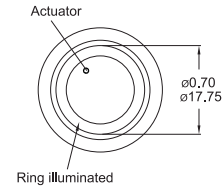
Circuit



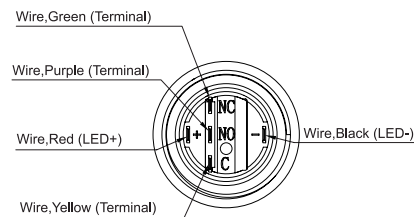
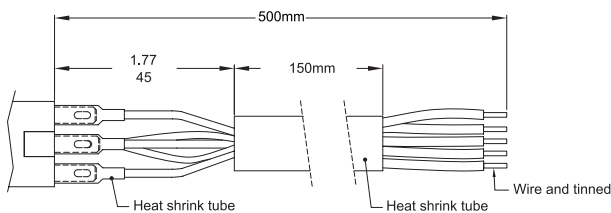
Body Type



Ring (Moveable)

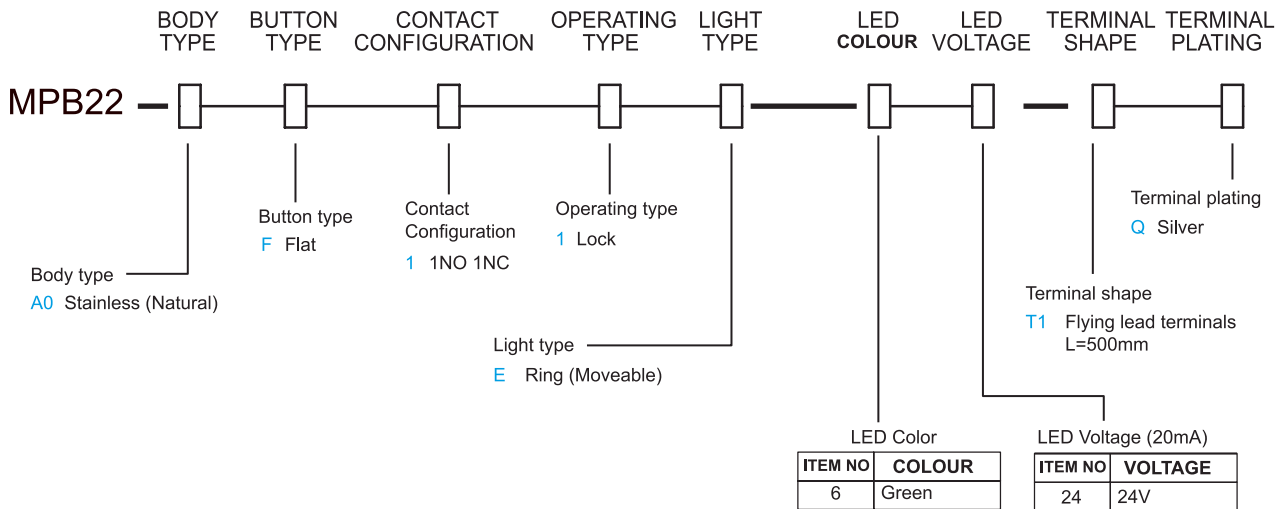


Wire (Flying lead Terminals)



Dimensions : Inches (Millimetres)

Part Number Explanation



Part Number Table

Description	Part Number
Illuminated Pushbutton Switch, SPST-NO, SPST-NC, Push On-Push Off, 3 A, 250V, Green	MPB22-A0F11E-624-T1Q

Important Notice : This data sheet and its contents (the "Information") belong to the members of the Premier Farnell group of companies (the "Group") or are licensed to it. No licence is granted for the use of it other than for information purposes in connection with the products to which it relates. No licence of any intellectual property rights is granted. The Information is subject to change without notice and replaces all data sheets previously supplied. The Information supplied is believed to be accurate but the Group assumes no responsibility for its accuracy or completeness, any error in or omission from it or for any use made of it. Users of this data sheet should check for themselves the Information and the suitability of the products for their purpose and not make any assumptions based on information included or omitted. Liability for loss or damage resulting from any reliance on the Information or use of it (including liability resulting from negligence or where the Group was aware of the possibility of such loss or damage arising) is excluded. This will not operate to limit or restrict the Group's liability for death or personal injury resulting from its negligence. Multicomp is the registered trademark of the Group. © Premier Farnell Limited 2016.

