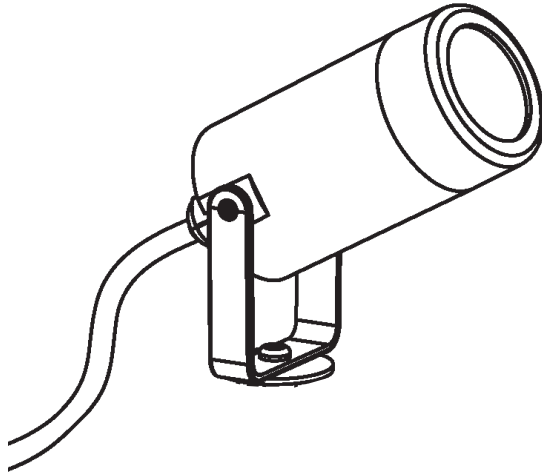


PRO-ELEC



Plastic Garden Lamp Model: PEL00834

Please read these instructions carefully before use and retain for future reference.

IMPORTANT SAFETY INFORMATION

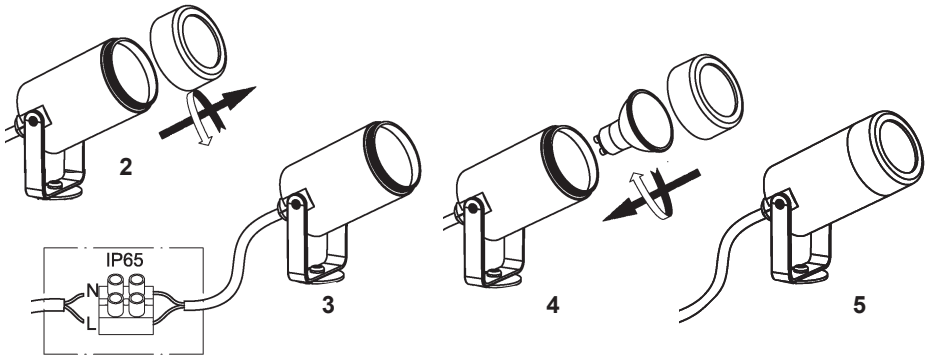
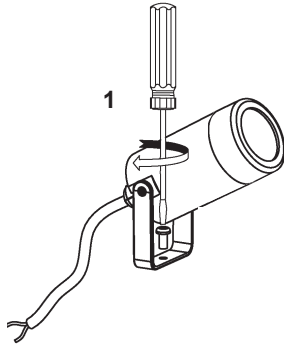
- When using electrical appliances basic safety precautions should always be followed.
- Check that the voltage indicated on the rating plate corresponds with that of the local network before connecting the appliance to the mains power supply.

Safety Information for Installation and Operation

- Avoid excessive force when installing.
- Always install on a surface that can support the weight of the fixture.

INSTALLATION

- Attach the light assembly to your chosen location using a suitable screw and wall plug as required.
- Unscrew and remove the lens from the body. Turn off or isolate the mains supply.
- Using an IP65 rated connector housing (not supplied) connect the positive supply wire (brown or red) to the terminal marked L.
- Connect the neutral supply wire (blue or black) to the terminal marked N.
- Fit an appropriate lamp GU10 Max 7W (not supplied) and refit the lens rotating it to locate securely.
- Adjust the angle of the light as required.
- Restore the mains supply.



CLEANING AND MAINTENANCE

- Clean only with a soft, dry cloth. Do not use any chemicals, abrasives or solvents that may damage the product.

SPECIFICATIONS

Voltage	220-240V~50Hz <input type="checkbox"/>
IP rating	IP44
Lamp type	GU10 7W LED



INFORMATION ON WASTE DISPOSAL FOR CONSUMERS OF ELECTRICAL & ELECTRONIC EQUIPMENT.

When this product has reached the end of its life it must be treated as Waste Electrical & Electronic Equipment (WEEE). Any WEEE marked products must not be mixed with general household waste, but kept separate for the treatment, recovery and recycling of the materials used. Contact your local authority for details of recycling schemes in your area.



Made in China. PR2 9PP

Man Rev 1.0