

PRODUCT FAMILY DATASHEET

PARATHOM PAR16

LED reflector lamps PAR16 with retrofit pin base



AREAS OF APPLICATION

- Shops
- Hospitality
- Museums, art galleries
- Residential interiors
- As a downlight for marking walkways, doors, stairs, etc.
- Spotlighting for accents
- Display cabinets and shop windows
- Spotlighting heat-sensitive objects such as food, plants, etc.
- Outdoor applications only in suitable luminaires

PRODUCT BENEFITS

- Low energy consumption
- Easy replacement of halogen lamps due to compact full glass design and single optic
- Instant 100 % light, no warm-up time
- Ideal for economical spotlighting

PRODUCT FEATURES

- Professional LED alternative to high voltage halogen lamps
- Mercury-free lamps
- Made in Germany



TECHNICAL DATA

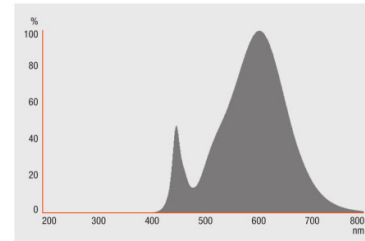
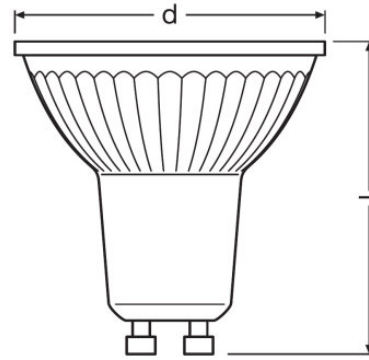
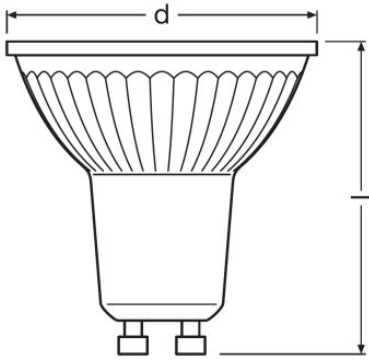
Product description	Electrical data			Photometrical data						Light technical data	
	Nominal wattage	Nominal voltage	Claimed equiv. conventional lamp power	Luminous intensity	Nominal luminous flux	Rated luminous flux	Color temperature	Color rendering index Ra	Lumen main.fact.at end of nom.life time	Light color (designation)	Beam angle
P PAR 16 35 36° 2.6 W/827 GU10 ¹⁾	2.60 W	220...240 V	35 W	565 cd	230 lm	230 lm	2700 K	≥80	0.70	Warm White	36 °
P PAR 16 35 36° 2.6 W/840 GU10 ¹⁾	2.60 W	220...240 V	35 W	565 cd	230 lm	230 lm	4000 K	≥80	0.70	Cool White	36 °
P PAR 16 50 36° 4.3 W/827 GU10 ¹⁾	4.30 W	220...240 V	50 W	850 cd	350 lm	350 lm	2700 K	≥80	0.70	Warm White	36 °
P PAR 16 50 36° 4.3 W/830 GU10 ¹⁾	4.30 W	220...240 V	50 W	850 cd	350 lm	350 lm	3000 K	≥80	0.70	Warm White	36 °
P PAR 16 50 36° 4.3 W/840 GU10 ¹⁾	4.30 W	220...240 V	50 W	850 cd	350 lm	350 lm	4000 K	≥80	0.70	Cool White	36 °
P PAR 16 50 120° 4.3 W/827 GU10 ¹⁾	4.30 W	220...240 V	50 W	130 cd	350 lm	350 lm	2700 K	≥80	0.70	Warm White	120 °
P PAR 16 50 120° 4.3 W/840 GU10 ¹⁾	4.30 W	220...240 V	50 W	130 cd	350 lm	350 lm	4000 K	≥80	0.70	Cool White	120 °
P PAR 16 80 36° 6.9 W/827 GU10 ¹⁾	6.90 W	220...240 V	80 W	1164 cd	525 lm	575 lm	2700 K	≥80	0.70	Warm White	36 °
P PAR 16 80 36° 6.9 W/830 GU10 ¹⁾	6.90 W	220...240 V	80 W	1439 cd	575 lm	575 lm	3000 K	≥80	0.70	Warm White	36 °
P PAR 16 80 36° 6.9 W/840 GU10 ¹⁾	6.90 W	220...240 V	80 W	1439 cd	525 lm	575 lm	4000 K	≥80	0.70	Cool White	36 °
P PAR16 80 120° 6.9 W/830 GU10 ¹⁾	6.90 W	220...240 V	80 W	180 cd	575 lm	575 lm	3000 K	≥80	0.70	Warm White	120 °
P PAR16 80 120° 6.9 W/840 GU10 ¹⁾	6.90 W	220...240 V	80 W	180 cd	575 lm	575 lm	4000 K	≥80	0.70	Cool White	120 °
P PAR16 80 120° 6.9 W/827 GU10 ¹⁾	6.90 W	220...240 V	80 W	180 cd	575 lm	575 lm	2700 K	≥80	0.70	Warm White	120 °
P PAR 16 35 36° 2.6 W/830 GU10 ¹⁾	2.60 W	220...240 V	35 W		230 lm	230 lm	3000 K	≥80	0.70	Warm White	36 °
P PAR 16 50 120° 4.3 W/830 GU10 ¹⁾	4.30 W	220...240 V	50 W		350 lm	350 lm	3000 K	≥80	0.70	Warm White	120 °

Product description	Warm-up time (60 %)	Dimensions & weight		Lifespan		Additional product data			Capabilities
		Overall length	Diameter	Nominal lamp life time	Number of switching cycles	Base (standard designation)	Mercury content	Mercury-free	Dimmable
P PAR 16 35 36° 2.6 W/827 GU10 ¹⁾	< 0.50 s	55.0 mm	51.0 mm	25000 h	100000	GU10	0.0 mg	Yes	No
P PAR 16 35 36° 2.6 W/840 GU10 ¹⁾	< 0.50 s	55.0 mm	51.0 mm	25000 h	100000	GU10	0.0 mg	Yes	No
P PAR 16 50 36° 4.3 W/827 GU10 ¹⁾	< 0.50 s	55.0 mm	51.0 mm	15000 h	100000	GU10	0.0 mg	Yes	No
P PAR 16 50 36° 4.3 W/830 GU10 ¹⁾	< 0.50 s	52.0 mm	50.0 mm	25000 h	100000	GU10	0.0 mg	Yes	No
P PAR 16 50 36° 4.3 W/840 GU10 ¹⁾	< 0.50 s	52.0 mm	50.0 mm	25000 h	100000	GU10	0.0 mg	Yes	No
P PAR 16 50 120° 4.3 W/827 GU10 ¹⁾	< 0.50 s	55.0 mm	51.0 mm	25000 h	100000	GU10	0.0 mg	Yes	No
P PAR 16 50 120° 4.3 W/840 GU10 ¹⁾	< 0.50 s	55.0 mm	51.0 mm	25000 h	100000	GU10	0.0 mg	Yes	No

Product description	Warm-up time (60 %)	Dimensions & weight		Lifespan		Additional product data			Capabilities
		Overall length	Diameter	Nominal lamp life time	Number of switching cycles	Base (standard designation)	Mercury content	Mercury-free	Dimmable
P PAR 16 80 36° 6.9 W/827 GU10 ¹⁾	< 0.50 s	55.0 mm	51.0 mm	15000 h	100000	GU10	0.0 mg	Yes	No
P PAR 16 80 36° 6.9 W/830 GU10 ¹⁾	< 0.50 s	55.0 mm	51.0 mm	25000 h	100000	GU10	0.0 mg	Yes	No
P PAR 16 80 36° 6.9 W/840 GU10 ¹⁾	< 0.50 s	55.0 mm	51.0 mm	15000 h	100000	GU10	0.0 mg	Yes	No
P PAR16 80 120° 6.9 W/830 GU10 ¹⁾	< 0.50 s	55.0 mm	51.0 mm	25000 h	100000	GU10	0.0 mg	Yes	No
P PAR16 80 120° 6.9 W/840 GU10 ¹⁾	< 0.50 s	55.0 mm	51.0 mm	15000 h	100000	GU10	0.0 mg	Yes	No
P PAR16 80 120° 6.9 W/827 GU10 ¹⁾	< 0.50 s	55.0 mm	51.0 mm	25000 h	100000	GU10	0.0 mg	Yes	No
P PAR 16 35 36° 2.6 W/830 GU10 ¹⁾	< 0.50 s	55.0 mm	51.0 mm	25000 h	100000	GU10	0.0 mg	Yes	No
P PAR 16 50 120° 4.3 W/830 GU10 ¹⁾	< 0.50 s	55.0 mm	51.0 mm	25000 h	100000	GU10	0.0 mg	Yes	No

Product description	Certificates & standards		Country-specific categorizations
	Energy consumption	Energy efficiency class	ILCOS
P PAR 16 35 36° 2.6 W/827 GU10 ¹⁾	3 kWh/1000h	A+	DRPAR-2,6/827-220-240-GU10-50/36
P PAR 16 35 36° 2.6 W/840 GU10 ¹⁾	3 kWh/1000h	A+	DRPAR-2,6/840-220-240-GU10-50/36
P PAR 16 50 36° 4.3 W/827 GU10 ¹⁾	5 kWh/1000h	A+	DRPAR-4,3/827-220-240-GU10-50/36
P PAR 16 50 36° 4.3 W/830 GU10 ¹⁾	4 kWh/1000h	A+	DRPAR-4,3/830-220-240-GU10-50/36
P PAR 16 50 36° 4.3 W/840 GU10 ¹⁾	4 kWh/1000h	A+	DRPAR-4,3/840-220-240-GU10-50/36
P PAR 16 50 120° 4.3 W/827 GU10 ¹⁾	4 kWh/1000h	A+	DRPAR-4,3/827-220-240-GU10-50/36
P PAR 16 50 120° 4.3 W/840 GU10 ¹⁾	4 kWh/1000h	A+	DRPAR-4,3/840-220-240-GU10-50/36
P PAR 16 80 36° 6.9 W/827 GU10 ¹⁾	7 kWh/1000h	A+	DRPAR-6,9/827-220-240-GU10-50/36
P PAR 16 80 36° 6.9 W/830 GU10 ¹⁾	7 kWh/1000h	A+	DRPAR-6,9/830-220-240-GU10-50/36
P PAR 16 80 36° 6.9 W/840 GU10 ¹⁾	7 kWh/1000h	A+	DRPAR-6,9/840-220-240-GU10-50/36
P PAR16 80 120° 6.9 W/830 GU10 ¹⁾	7 kWh/1000h	A+	DRPAR-6,9/830-220-240-GU10-50/120
P PAR16 80 120° 6.9 W/840 GU10 ¹⁾	7 kWh/1000h	A+	DRPAR-6,9/840-220-240-GU10-50/120
P PAR16 80 120° 6.9 W/827 GU10 ¹⁾	7 kWh/1000h	A+	DRPAR-6,9/827-220-240-GU10-50/120
P PAR 16 35 36° 2.6 W/830 GU10 ¹⁾	3 kWh/1000h	A+	
P PAR 16 50 120° 4.3 W/830 GU10 ¹⁾	4 kWh/1000h	A+	

¹⁾ All technical parameters apply to the entire lamp/Due to the complex production process for light-emitting diodes, the typical values shown for the technical LED parameters are purely statistical values that do not necessarily match the actual technical parameters of each individual product, which can vary from the typical value



P PAR 16 35 36° 2.6 W/827 GU10, P PAR 16 35 36° 2.6 W/840 GU10, P PAR 16 50 36° 4.3 W/827 GU10, P PAR 16 50 36° 4.3 W/830 GU10, P PAR 16 50 36° 4.3 W/840 GU10, P PAR 16 50 120° 4.3 W/827 GU10, P PAR 16 80 36° 6.9 W/827 GU10, P PAR 16 80 36° 6.9 W/830 GU10, P PAR 16 80 36° 6.9 W/840 GU10, P PAR 16 80 120° 6.9 W/830 GU10, P PAR 16 80 120° 6.9 W/840 GU10, P PAR 16 80 120° 6.9 W/827 GU10, P PAR 16 35 36° 2.6 W/830 GU10, P PAR 16 50 120° 4.3 W/830 GU10

P PAR 16 50 120° 4.3 W/840 GU10

P PAR 16 35 36° 2.6 W/827 GU10, P PAR 16 50 36° 4.3 W/827 GU10, P PAR 16 50 120° 4.3 W/827 GU10

APPLICATION ADVICE

For more detailed application information and graphics please see product datasheet.

LOGISTICAL DATA

Product code	Product description	Packaging unit (Pieces/Unit)	Dimensions (length x width x height)	Volume	Gross weight
4052899958050	P PAR 16 35 36° 2.6 W/827 GU10	Shipping carton box 10	257 mm x 110 mm x 70 mm	1.98 dm ³	537.00 g
4052899958067	P PAR 16 35 36° 2.6 W/840 GU10	Shipping carton box 10	257 mm x 110 mm x 70 mm	1.98 dm ³	542.00 g
4052899958104	P PAR 16 50 36° 4.3 W/827 GU10	Shipping carton box 10	257 mm x 110 mm x 70 mm	1.98 dm ³	550.00 g
4052899451735	P PAR 16 50 36° 4.3 W/830 GU10	Shipping carton box 10	257 mm x 110 mm x 70 mm	1.98 dm ³	540.00 g
4052899958128	P PAR 16 50 36° 4.3 W/840 GU10	Shipping carton box 10	257 mm x 110 mm x 70 mm	1.98 dm ³	542.00 g
4052899958111	P PAR 16 50 120° 4.3 W/827 GU10	Shipping carton box 10	257 mm x 110 mm x 70 mm	1.98 dm ³	533.00 g
4052899958142	P PAR 16 50 120° 4.3 W/840 GU10	Shipping carton box 10	257 mm x 110 mm x 70 mm	1.98 dm ³	539.00 g
4052899958173	P PAR 16 80 36° 6.9 W/827 GU10	Shipping carton box 10	255 mm x 107 mm x 72 mm	1.96 dm ³	700.00 g
4058075815650	P PAR 16 80 36° 6.9 W/830 GU10	Shipping carton box 10	255 mm x 107 mm x 72 mm	1.96 dm ³	584.00 g
4052899958180	P PAR 16 80 36° 6.9 W/840 GU10	Shipping carton box 10	255 mm x 107 mm x 72 mm	1.96 dm ³	692.00 g
4058075815636	P PAR16 80 120° 6.9 W/830 GU10	Shipping carton box 10	255 mm x 107 mm x 72 mm	1.96 dm ³	575.00 g
4058075815674	P PAR16 80 120° 6.9 W/840 GU10	Shipping carton box 10	255 mm x 107 mm x 72 mm	1.96 dm ³	699.00 g
4058075815872	P PAR16 80 120° 6.9 W/827 GU10	Shipping carton box 10	255 mm x 107 mm x 72 mm	1.96 dm ³	584.00 g
4058075815414	P PAR 16 35 36° 2.6 W/830 GU10	Shipping carton box 10	257 mm x 110 mm x 70 mm	1.98 dm ³	0.12 g
4058075023475	P PAR 16 50 120° 4.3 W/830 GU10	Shipping carton box 10	257 mm x 110 mm x 70 mm	1.98 dm ³	0.12 g

Product code	Product description	Packaging unit (Pieces/Unit)	Dimensions (length x width x height)	Volume	Gross weight
--------------	---------------------	------------------------------	--------------------------------------	--------	--------------

The mentioned product code describes the smallest quantity unit which can be ordered. One shipping unit can contain one or more single products. When placing an order, for the quantity please enter single or multiples of a shipping unit.

REFERENCES / LINKS

For further products and actual information concerning LED lamps see

- ▶ www.ledvance.com/ledlamps

For Guarantee see

- ▶ www.ledvance.com/guarantee

DISCLAIMER

Subject to change without notice. Errors and omission excepted. Always make sure to use the most recent release.