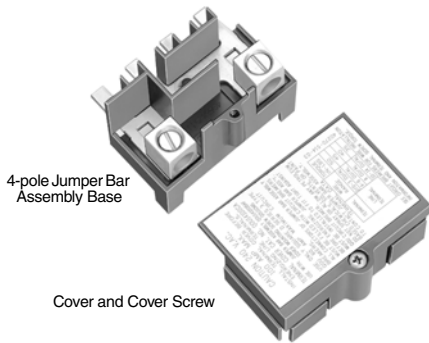


For QOUQ Low Ampere Circuit Breakers with Four Point Quick Connect Terminals

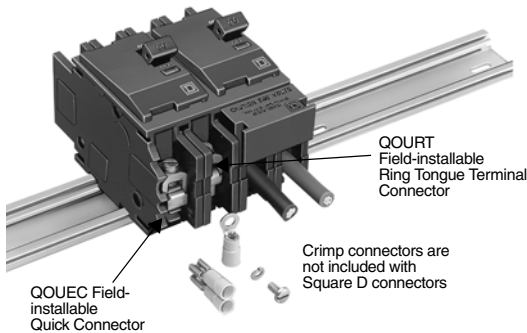
QOUQ low ampere circuit breakers with four-point quick-connect terminals are provided with permanent factory-installed terminals which are affixed to the Load or "OFF" end of the circuit breaker. This special terminal will accommodate up to four 1/4-inch female quick connect wire terminations. Total ampacity of these connections must not exceed the rating of the circuit breaker. Price addition is **\$5.90** for single-pole, **\$11.80** for 2-pole and **\$17.60** for 3-pole circuit breakers.

EXAMPLE:

To order QOUQ circuit breakers, change the Catalog Number prefix from "QOU" to "QOUQ." To order a QOU220 with factory-installed four-point quick-connect terminals, order one QOUQ220 circuit breaker at **\$58.00** each plus **\$5.90** per pole (a total price of **\$69.80**).



QOU14100JBAF



2-pole DIN Mounted QOU Circuit Breakers



Tapped Mounting Foot Suffix-3100

Accessories for QOU Low Ampere Circuit Breakers (Except as Noted)

Description	Catalog Number	Unit Price	Order Qty.
Factory-installed ring tongue terminal, 10-32 screw, for 1-, 2-, 3-pole QOU, 10-60 A	Suffix -5283	Add 20% to price	
Hex drive 5/32 in. wire bending screw for QOU	Suffix -5280	Add 20% to price	
For padlocking single-pole low ampere QOU circuit breaker in "OFF" or "ON" position	QOU1PA	\$ 6.70	
For padlocking 2- and 3-pole low ampere QOU circuit breaker in "OFF" or "ON" position	QOU1PL	6.70	
For padlocking single-pole low ampere QOU circuit breaker in "OFF" position only	QOU1PAFLA	29.00 ▲	
For padlocking 2- and 3-pole low ampere QOU circuit breaker in "OFF" position only	QOU2PAFLA	17.20 ▲	
For padlocking 2- and 3-pole high ampere QOU circuit breaker in "OFF" position only	Suffix -7100	Add 20% to price	
Handle lock-out, "ON" or "OFF" position	HLO1	6.60 ▲	
4-pole jumper bar assy. w/front wiring with base, cover and screw	QOU14100JBAF	48.80	1
4-pole jumper bar assy. w/right side wiring with base, cover and screw	QOU14100JBAR	48.80	1
4-pole jumper bar assy. w/left side wiring with base, cover and screw	QOU14100JBAL	48.80	1
Single phase, 4-pole, 100 A jumper bar base with front Wiring	QOU14100BAFB	35.20	40
Single phase, 4-pole, 100 A jumper bar base with left side wiring	QOU14100BALB	35.20	40
Single phase, 4-pole, 100 A Jumper Bar Base with Right Side Wiring	QOU14100BARB	35.20	40
4-pole jumper bar cover	QOU14100CAB	8.80	40
Mounting screw for jumper bar cover	QOU1CM5B	0.23	40
6-pole jumper bar assy. w/front wiring with base, cover and screw	QOU16150JBAF	66.00	1
Single phase, 6-pole, 150 A jumper bar base with front wiring	QOU16150BAFB	45.70	40
Single phase, 6-pole, 150 A jumper bar base with left side wiring	QOU16150BALB	45.70	40
Single phase, 6-pole, 150 A jumper bar base with right side wiring	QOU16150BARB	45.70	40
6-pole jumper bar cover	QOU16150CAB	11.40	40
Vertical rainproof cover 2- and 3-pole QO, QOU, Q2, EH, FA and KA	BCV ■ BCVB ■	20.50 18.10	1 10
Horizontal rainproof cover 2-pole QO, QOU, Q2, EH and 3-pole Q2, EH	BCH ■ BCHB ■	20.50 18.10	1 10
1-pole Fingersafe® cover for high ampere QOU circuit breaker	QOUHFSC1 QOUHFSC1B	1.70 1.05	1 40
1-pole Fingersafe cover for low ampere QOU circuit breaker	QOULFSC1 QOULFSC1B	1.70 1.05	1 40
Cover Plate for one 2-pole QOU circuit breaker	QOUCP2 QOUCP2B	5.50 4.40	1 40
Cover Plate for one 3-pole QOU circuit breaker	QOUCP3 QOUCP3B	10.50 8.50	1 40
Cover Plate for two 2-pole QOU circuit breakers	QOUCP4 QOUCP4B	6.60 5.25	1 40
Cover Plate for three 2-pole QOU circuit breakers	QOUCP6 QOUCP6B	10.40 8.10	1 40
Field-installed ring tongue terminal adaptor	QOURT QOURTB	3.80 2.90	1 80
Quick connector end connection wiring	QOUEC QOUECB	3.80 2.90	1 40
Quick connector forward or reverse wiring	QOUFR QOUFRB	3.80 2.90	1 40
1-pole QOU mounting foot	QOUMF1 ■ QOUMF1B ■	0.47 0.36	1 80
2-pole QOU mounting foot	QOUMF2 ■ QOUMF2B ■	0.93 0.70	1 40
3-pole QOU mounting foot	QOUMF3 ■ QOUMF3B ■	1.50 1.05	1 24
Tapped mounting foot for QOU, 1- and 2-pole 10-70 A, 3-pole 10-60 A	Suffix -3100	add 20% to price	
Mechanical interlock attachment: Used to interlock two circuit breakers mounted side-by-side so that only one circuit breaker can be ON at a time. A 1-pole or 2-pole circuit breaker can be mounted on the left and interlocked with a 2-pole or 3-pole circuit breaker on the right.	QOU2DTILA ♦	16.60 ▲	1

▲ DE2E Discount Schedule.
■ For use on low and high ampere QOU.
♦ 10-70 A 1- and 2-pole, 10-60 A 3-pole.

Electrical Accessories for QOU See page 6-12

6 CIRCUIT BREAKERS