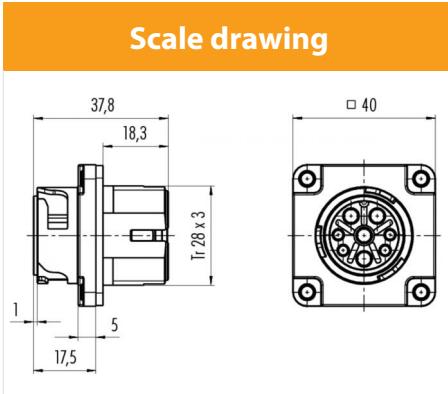


Product description	Contacts: 8(4 + 3+PE), male panel mount connector, rated voltage: 60 V Signal, 400 V Power
Area	Bajonett HEC Power Series 696
Order number	09 6503 000 08



Contact arrangement

	X	Y
1	-3,68	5,50
2	0	-6,60
3	3,68	5,50
4	-7,25	0,20
5	-5,90	-4,20
6	5,90	-4,20
7	7,25	0,20
PE	0	0

1, 2, 3, ⊕ ∅ 2,5 mm
4, 5, 6, 7 ∅ 1,6 mm

You can find the component part drawing and assembly instructions on the next page.

Technical data

General values

Connector design	male panel mount connector
Connector locking system	Bayonet
Termination	crimp (Crimp contacts must be ordered separately)
Wire gauge (mm)	siehe Crimpkontakte unter Zubehör
Wire gauge (AWG)	-
Upper limit temperature	100 °C
Lower limit temperature	-40 °C

Electrical values

Rated voltage	60 V Signal, 400 V Power V
Rated impulse voltage	1000 V
Pollution degree	3
Overvoltage category	III
Insulating material group	I
Rated current (40 °C)	3 A Signal, 25 A Power (USR 20 A, CNR 16 A)
Volume resistivity	≤ 5 mΩ
EMC compliance	Shielding is not possible
Degree of protection	IP68, IP69K
Mechanical operation	> 1000 Mating cycles

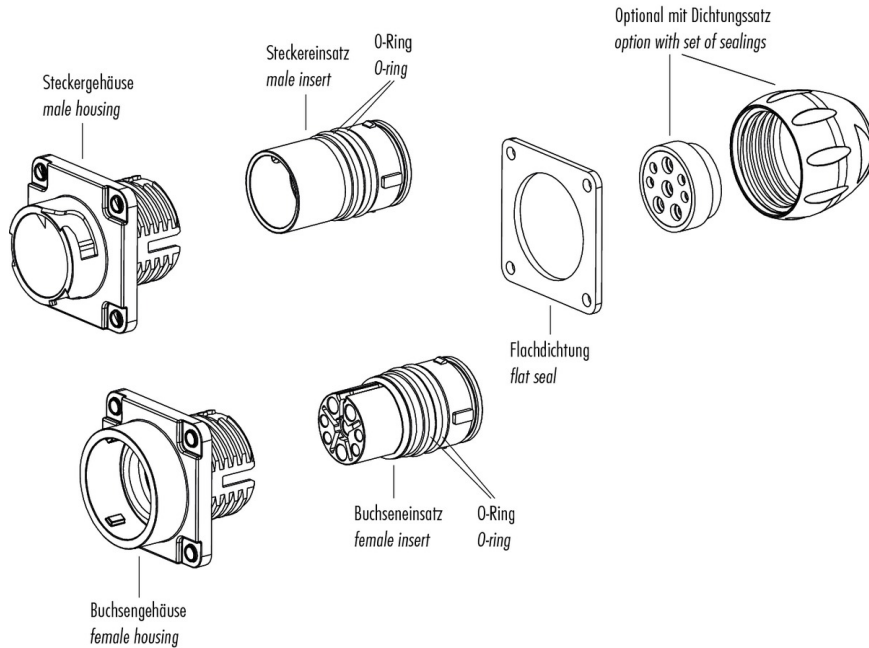
Material

Contact material	depending on crimp contact (accessory)
Contact body material	PA

Product description **Contacts: 8(4 + 3+PE), male panel mount connector, rated voltage: 60 V Signal, 400 V Power**

Area **Bajonett HEC Power Series 696**
 Order number **09 6503 000 08**

Component part drawing



Assembly instructions / Panel cut-out

1. Einzellitzen auf 7mm absolieren.
2. Kontakte ancrimpen. *
3. Angecrimpelte Kontakte bis zum Einrasten in den Kontaktkörper eindrücken.
- 3.1. Optional bei Verwendung der Litzendichtung:
 Benötigte Kammer der Litzendichtung mit einem spitzen Gegenstand durchstoßen und über die Kontakte auffädeln. Kontakte in den Kontaktkörper eindrücken, die Litzendichtung flach an den Körper auflegen und anschließend mit der Druckschraube festschrauben.
4. Die Druckschraube über des Litzenbündel aufschieben und anschließend festschrauben.
 (empfohlenes Drehmoment 40cNm)

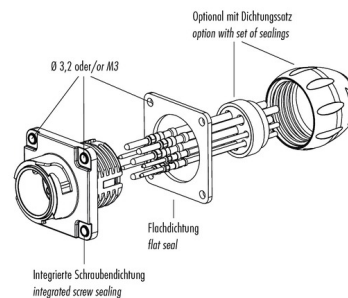
Lösen der Kontakte:
 Da die Kontakte schwimmend gelagert sind, lässt sich das Lösewerkzeug mit leichten Pendelbewegungen bis auf Anschlag einführen. Danach zum Lösen den Ausdrückknopf betätigen.

* Crimpzange Bestell-Nr.	66 0003 001
Lösewerkzeug Kontakt	Ø 1,6mm 66 0004 001
	Ø 2,5mm 66 0011 001

1. Strip single wires to 7mm.
2. Crimp contacts to wires. *
3. Press crimped contacts into contact carrier until they snap into place.
- 3.1. Option when using the single wire seal:
 Pierce through the needed sections of the single wire sealings with a pointed device or tool and then bead them over the contacts. Then press contacts into the contact carrier, lay the single wire sealings flat onto the contact carrier and finally fix it with the pressing screw.
4. Push the pressing screw over the bundle of single wires and fix it afterwards by screwing.
 (recommended torque 40 cNm)

Extracting the contacts:
 As the contacts are full floating the extraction tool can be inserted with slight pendular movements to block. Afterwards press the extraction button.

* Crimping tool ordering number	66 0003 001
Extraction tool for contacts	Ø 1,6 mm 66 0004 001
	Ø 2,5 mm 66 0011 001



Product description

Contacts: 8(4 + 3+PE), male panel mount connector, rated voltage: 60 V Signal, 400 V Power

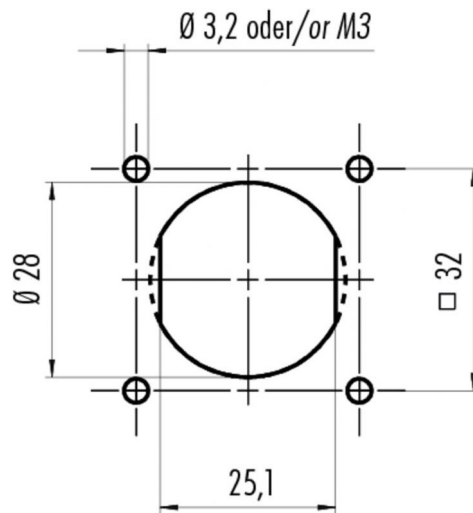
Area

Bajonett HEC Power Series 696

Order number

09 6503 000 08

Assembly instructions / Panel cut-out



Alternative mit Abflachung
Alternative with flats

Product description	Contacts: 8(4 + 3+PE), male panel mount connector, rated voltage: 60 V Signal, 400 V Power
Area	Bajonett HEC Power Series 696
Order number	09 6503 000 08

Sicherheitshinweise

The connector must not be connected or separated under load. Non-observance and incorrect use can result in personal injury.

The connectors are designed for use in plant, control system and electrical equipment. The end user is responsible for checking whether the connectors are suitable for use in other applications.