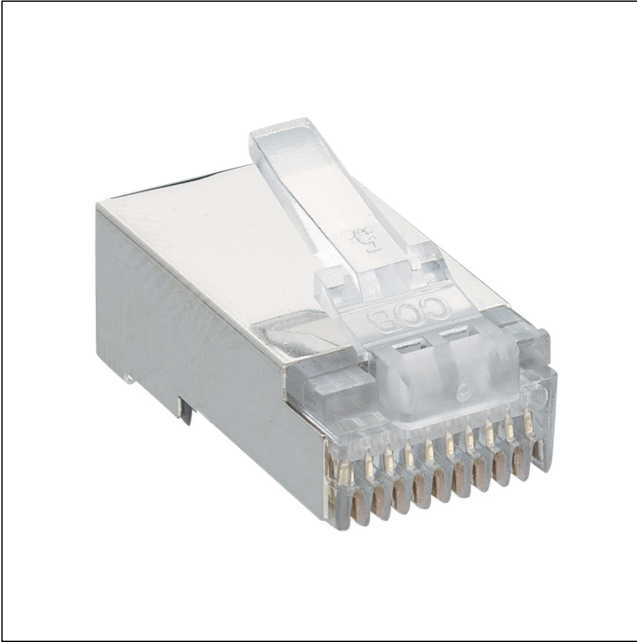


25

P 303 S

Modular connectors

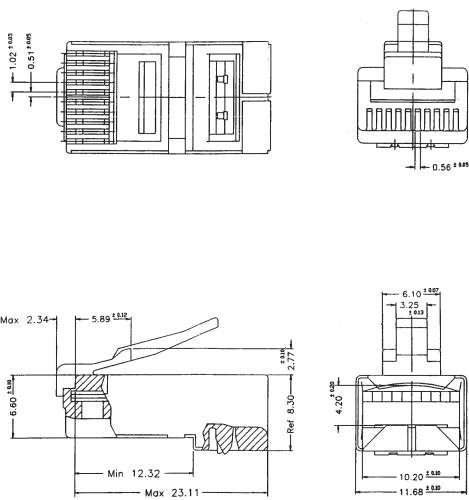


Modular plug, 10p10c (RJ50), with locking latch and shielding, piercing technology

State: Active

25

P 303 S



Environmental conditions

Temperature range -25 °C/+80 °C

Materials

Insulating body PC, V-2 according to UL94
Contact Cu alloy, pre-nickel and gold-plated

Connectable conductors for piercing area

Construction flat cable 1.02 mm

Electrical data (at T_{amb} 20 °C)

Rated current ≤ 2 A
Rated voltage ≤ 250 V AC
Rated impulse voltage 1 kV
Insulation resistance ≥ 500 M Ω

Associated products

Counterparts

25

P 303 S

Accessories

☞ 2532 01

☞ 2532 01

Harnessing equipment

☞ ZP25-3

25

P 303 S

Designation	Pole Number	PU (Pieces)	MDQ (Pieces)
P 303 S	10	100	500

Packaging:

in bulk, in a cardboard box or a plastic bag