

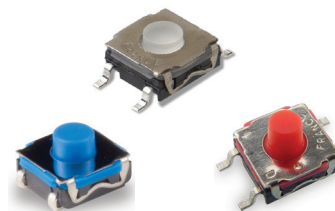
KSC Series Sealed Tact Switch for SMT

Features/Benefits

- Positive tactile feeling
- J or G terminations
- Various heights
- IP67

Typical Applications

- Automotive
- Cellular phones
- Industrial electronics
- Network infrastructure and IT
- Elevator



Specification

FUNCTION: Momentary action
 CONTACT ARRANGEMENT: 1 make contact = SPST, N.O.
 TERMINALS: J bend & Gullwing type for SMT
 SEALING: IP67 except KSC5 (IP50)

Electrical

| | Silver | Gold |
|------------------|--------|--------|
| MAXIMUM POWER: | 1 VA | 0.2 VA |
| MAXIMUM VOLTAGE: | 32 VDC | 32 VDC |
| MINIMUM VOLTAGE: | 20 mV | 20 mV |
| MAXIMUM CURRENT: | 50 mA | 10 mA |
| MINIMUM CURRENT: | 1 mA* | 0.1 mA |

Liability Limitation

This datasheet does not provide enough information for applications that require a certain level of quality or safety such as automotive, medical systems, or safety equipment. Please contact customer service for the contractual specification package.

DIELECTRIC STRENGTH (50 Hz, 1 min.): ≥ 250 Vrms
 CONTACT RESISTANCE: ≤ 100 m Ω
 INSULATION RESISTANCE (100 V): ≥ 10 M Ω
 BOUNCE TIME: ≤ 1 ms

* Ultra low current with 10 μ A - 1 VDC version are available upon request for KSC2 and KSC4

Environmental

| | Silver | Gold |
|------------------------|---------------|----------------|
| OPERATING TEMPERATURE: | -40°C to 85°C | -40°C to 125°C |
| STORAGE TEMPERATURE: | -55°C to 85°C | -55°C to 125°C |

Packaging

Tape and Reel (see series for quantity information)

Process

SOLDERING: Depending on the application, this component is suited to the following methods:

- Terminals being silver or gold plated over a nickel barrier, the use of slightly activated flux is suitable.
- Soldering on double wave machine for vertical versions: soldering time ≤ 5 sec.
- Cleaning according to typical washing processes.
- Infrared Reflow Soldering in accordance with IEC 61760-1.

NOTE: Specifications listed above are for switches with standard options.

KSC Product Range

| KSC1 | KSC2 | KSC3 | KSC4 | KSC5 | KSC6 | KSC7 | KSC8 | KSC9 | KSC10 |
|------------------|---------------|---------------|---------------|---------------|---------------|---------------|---------------|-----------------------------------|---------------|
| Without actuator | Soft actuator | Hard actuator | Soft actuator | Hard actuator | Hard actuator | Soft actuator | Hard actuator | Hard actuator | Soft actuator |
| H = 2.5 mm | H = 3.5 mm | H = 3.5 mm | H = 5.2 mm | H = 5.6 mm | H = 7.7 mm | H = 4.3 mm | H = 4.9 mm | H = 7.7 mm compatible with button | H = 4.9 mm |
| IP67 | IP67 | IP67 | IP67 | IP50 | IP67 | IP67 | IP67 | IP67 | IP67 |



Note: KSC Series is subject to variants. Please contact customer service for other options.

KSC Series Sealed Tact Switch for SMT

Tactile Switches

B

J BEND



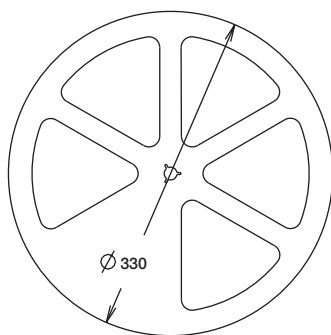
G GULLWING



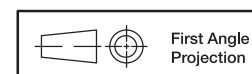
12 MM



16 MM



| 12 mm | Pieces | 16 mm | Pieces |
|-------|--------|------------|--------|
| KSC1J | 2,000 | KSC1G | 2,000 |
| KSC2J | 2,000 | KSC2G | 2,000 |
| KSC3J | 2,000 | KSC3G | 2,000 |
| | | KSC4J & G | 1,000 |
| | | KSC5J & G | 1,000 |
| | | KSC6J & G | 750 |
| | | KSC7J & G | 1,000 |
| | | KSC8J & G | 1,000 |
| | | KSC9J & G | 750 |
| | | KSC10J & G | 1,000 |



First Angle
Projection

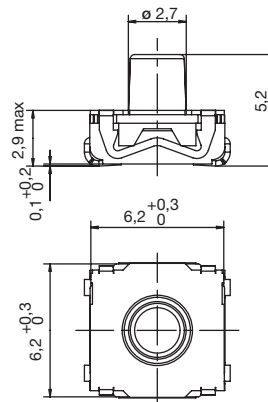
Dimensions are shown: mm
Specifications and dimensions subject to change

KSC4 Series Sealed Tact Switch for SMT

KSC4 soft actuator 5,2 mm high



| Type | Operating force FA (Newtons) | Operating life (operations) | Travel (mm) |
|-------------|------------------------------|-----------------------------|-------------|
| KSC401 50SH | 1.45 ± 0.55 | 5,000,000 | 0.5 ± 0.25 |
| KSC411 70SH | 1.4 ± 0.35 | 1,000,000 | 0.35 ± 0.20 |
| KSC421 70SH | 1.7 ± 0.45 | 300,000 | 0.5 ± 0.25 |
| KSC422 70SH | 1.7 ± 0.45 | 1,000,000 | 0.5 ± 0.25 |
| KSC441 70SH | 4 ± 1 | 300,000 | 0.75 ± 0.25 |
| KSC442 70SH | 4 ± 1 | 1,000,000 | 0.75 ± 0.25 |
| KSC451 70SH | 4.25 ± 0.75 | 300,000 | 0.8 ± 0.2 |
| KSC441 SPD | 3.5 ± 0.9 | 300,000 | 0.7 ± 0.2 |
| KSC441 ST1 | 3.4 ± 1 | 300,000 | 0.7 ± 0.25 |
| KSC441 ST2 | 3.4 ± 1 | 300,000 | 0.35 ± 0.20 |
| KSC461 ST1 | 6.25 ± 1.75 | 100,000 | 1 ± 0.3 |
| KSC461 ST2 | 6.25 ± 1.75 | 300,000 | 0.5 ± 0.2 |



Packaging

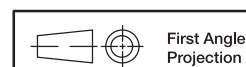
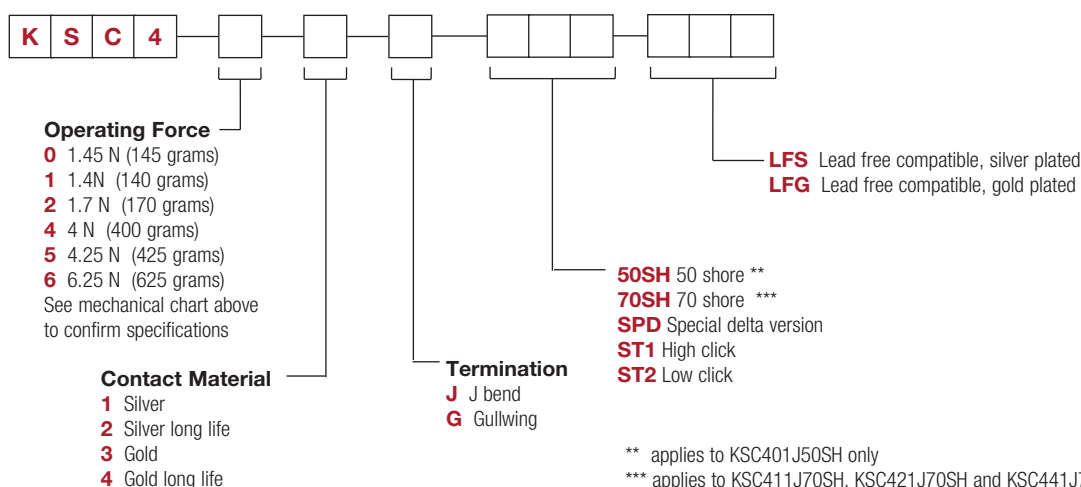
Switches delivered on continuous tape & reels of 1,000 pieces
 Dimensions according to EIA RS-481/ IEC 60286-3 standard
 External diameter 330 ± 2 mm

How To Order

Our easy build-a-switch concept allows you to mix and match options to create the switch you need. To order, select desired option from each category and place it in the appropriate box.

However, please note that all the combinations of these options are not feasible.

For any part number different from those listed above, please consult your local representative.



Dimensions are shown: mm
 Specifications and dimensions subject to change