

Panel mounting frames - CUC-V14-F1ZNI-EM/R40 - 1413963


Please be informed that the data shown in this PDF Document is generated from our Online Catalog. Please find the complete data in the user's documentation. Our General Terms of Use for Downloads are valid (<http://phoenixcontact.com/download>)



RJ45 panel mounting frame, IP67, for push-pull interlocking, metal, for PCB connection, for square panel cutout, with grommet and mounting screws



Key Commercial Data

| | |
|--------------------------------------|--|
| Packing unit | 1 STK |
| GTIN |  4 055626 082202 |
| GTIN | 4055626082202 |
| Weight per Piece (excluding packing) | 25.400 g |
| Sales Key | ABNECC |

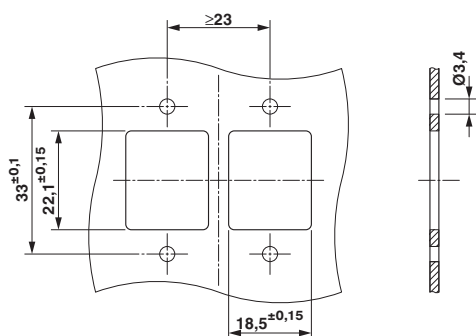
Technical data

Environmental Product Compliance

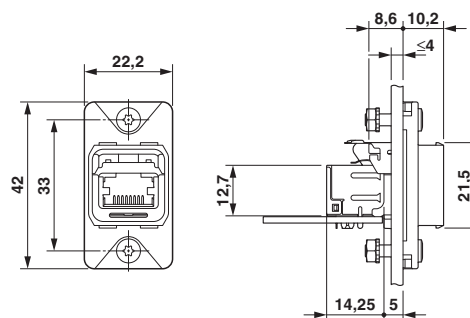
| | |
|------------|---|
| China RoHS | Environmentally friendly use period: unlimited = EFUP-e |
| | No hazardous substances above threshold values |

Drawings

Drilling diagram



Dimensional drawing



Panel mounting frames - CUC-V14-F1ZNI-EM/R40 - 1413963

Classifications

eCl@ss

| | |
|------------|----------|
| eCl@ss 4.0 | 272607xx |
| eCl@ss 4.1 | 27260701 |
| eCl@ss 5.0 | 27260701 |
| eCl@ss 5.1 | 27260701 |
| eCl@ss 6.0 | 27261207 |
| eCl@ss 7.0 | 27440210 |
| eCl@ss 8.0 | 27440210 |
| eCl@ss 9.0 | 27440210 |

ETIM

| | |
|----------|----------|
| ETIM 3.0 | EC002310 |
| ETIM 4.0 | EC002310 |
| ETIM 5.0 | EC002310 |
| ETIM 6.0 | EC002310 |

UNSPSC

| | |
|---------------|----------|
| UNSPSC 6.01 | 31261501 |
| UNSPSC 7.0901 | 31261501 |
| UNSPSC 11 | 31261501 |
| UNSPSC 12.01 | 31261501 |
| UNSPSC 13.2 | 31261501 |

Accessories

Accessories

Data plug

RJ45 connector - CUC-V14-C1ZNI-S/R4P8 - 1422664



Push-pull connector (version 14), die-cast zinc, with RJ45 connector insert, 8-pos., with IDC fast connection technology, for 1 and 7-wire cores, 23 ... 22 AWG, for cable diameter of 5.5 mm ... 10 mm

RJ45 connector - CUC-V14-C1ZNI-B/R4P8 - 1422665



Push-pull connector (version 14), die-cast zinc, with RJ45 connector insert, 8-pos., with IDC fast connection technology, for 1 and 7-wire cores, 23 ... 22 AWG, for cable diameter of 5.5 mm ... 10 mm

Panel mounting frames - CUC-V14-F1ZNI-EM/R4O - 1413963

Accessories

RJ45 connector - CUC-V14-C1ZNI-T/R4P8 - 1422667



Push-pull connector (version 14), die-cast zinc, with RJ45 connector insert, 8-pos., with IDC fast connection technology, for 1 and 7-wire cores, 23 ... 22 AWG, for cable diameter of 5.5 mm ... 10 mm

Female insert

RJ45 socket insert - VS-08-BU-RJ45-10G/LH-1 - 1420401



RJ45 socket insert, for PCB assembly, CAT6_A, 8-pos., shielded, with angled solder pins, 1x

Panel mounting frame

Screw set - CUC-V14-A-SCREW-M3:20 - 1413987



Screw set, M3 for panel mounting frames

Protective covers - CUC-V14-A1PBK-PC - 1413970



Protective covers, degree of protection: IP65/67

Protective covers - CUC-V14-A1RBK-PC - 1413985



Protective covers, degree of protection: IP65/67

Panel mounting frames - CUC-V14-F1ZNI-EM/R40 - 1413963

Accessories

Panel mounting frames - CUC-V14-A1ZNI-R45 - 1413988



45° adapter for panel mounting frames

Panel mounting frames - CUC-V14-A1ZNI-S180 - 1413989



Spacer for panel mounting frames

Strain relief - CUC-V14-A3ST-SR - 1413990



Strain relief, degree of protection: IP65/67, material: Stainless steel

Panel mounting frames - CUC-V14-A1PBK-BA:50 - 1413979



Holder for marking element
