

Model No.: H25TG05-04

Product Line: Tymphany

Rev: 1

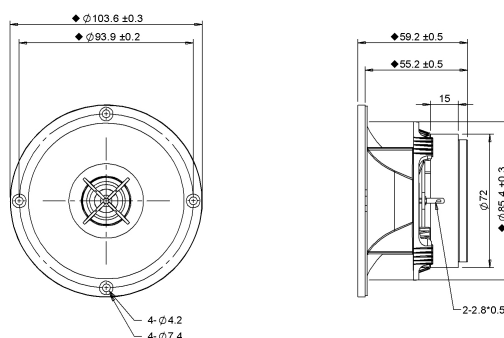
Last Update: 2017-04-25 14:32:09

## Product Description

This is a 1 inch 4 ohm transducer, member of the H family. This family design features a treated Ti dome, large rear chamber for low resonant frequency, and a ferrofluid cooled the motor. The large motor allow for robust power handling capacity. The tweeter comes with a faceplate with recessed mounting holes, for easy installation into the desired application. The faceplate has a horn geometry for increased sensitivity.



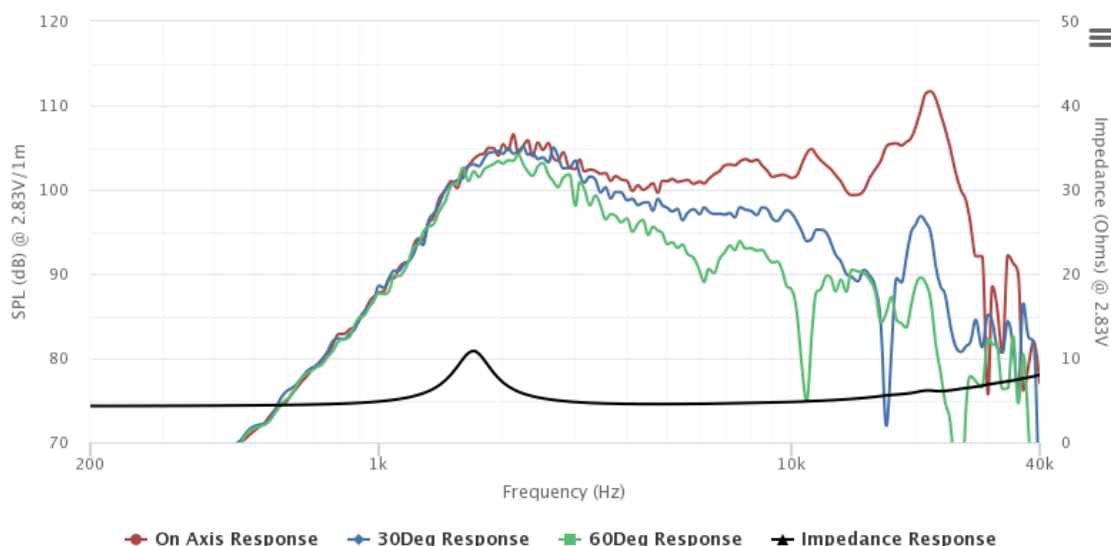
## Mechanical Drawing



## Specifications

DC Resistance	Revc	Ohms	3.69	5.0%	Energy Bandwidth Product	EBP	$(1/Qes) \cdot fs$
Minimum Impedance	Zmin	Ohms	4.55	7.5%	Moving Mass	Mms	g
Voice Coil Inductance	Le	mH	0.01		Suspension Compliance	Cms	um/N
Resonant Frequency	Fs	Hz	1738.33	15%	Effective Cone diameter	D	cm
Mechanical Q Factor	Qms		4.23		Effective Piston Area	Sd	cm <sup>2</sup>
Electrical Q Factor	Qes		2.66		Effective Volume	Vas	L
Total Q Factor	Qts		1.63		Motor Force Factor	BL	Tm
Ratio Fs/Qts	F	Fs/Qts	1063.85		Motor Efficiency Factor	$\beta$	$(T \cdot M^2) / \text{Ohms}$
Half Space Sensitivity @2.83V	db@2.83V/1M	dB	100.56	+/- 1.0db	Voice coil former Material	VCfm	KSV
Half Space Sensitivity @1W/1M	db@1W/1M	dB	98.1	+/- 1.0db	Voice coil inner diameter	VCd	mm
Gap Height	Gh	mm	3		Rated Noise Power	P	W
Maximum Linear Excursion	Xmax	mm	1		Test Spectrum Bandwidth		2KHz-20KHz
Ferrofluid Type	FF				Driver Size	Inch	25 mm
Driver Mass	Kg		0.56				

## Frequency and Impedance Response



Highcharts.com