

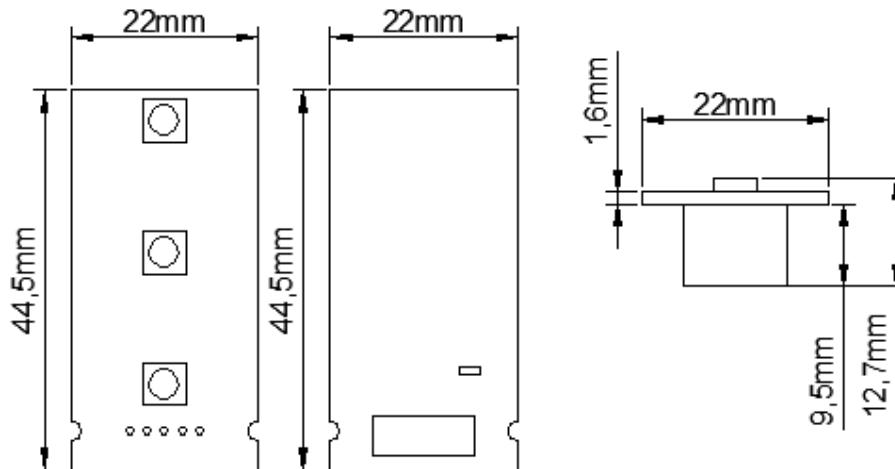


PLAZMO INDUSTRIES

PHONE : 402-330-2222 FAX : 886-499-2235

LED #29970200 SPECIFICATION

- 1) **PARTS NUMBER: #29970200**
- 2) **LED LIGHT BAR OUTSIDE DIMENSION:**



- 3) **LED LIGHT BAR ELECTRIC CHARACTER:**
 - a. TYPICAL ELECTRIC INPUT VOLTAGE: DC 12V
 - b. TYPICAL WHOLE LED BAR POWER: 0.54W
 - c. TYPICAL ELECTRIC CURRENT: 45mA
- 4) **LED BAR LED LIGHT AND OPTICAL CHARACTER:**
 - a. LED DIODE COLOR TEMPERATURE: RGB
 - b. LED DIODE SIZE: SMT5050
 - c. LED DIODE QUANTITY: 3 PCS
 - d. LED DIODE'S COLOUR: RGB

FILE NUMBER: #29970200

VERSION NUMBER:1 (2018)

PREPARED BY:ZHANG JIALONG(Technical Manager)

DATE:01 /JAN./18