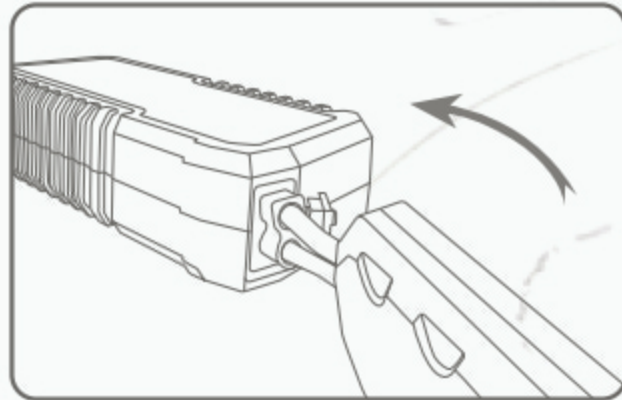
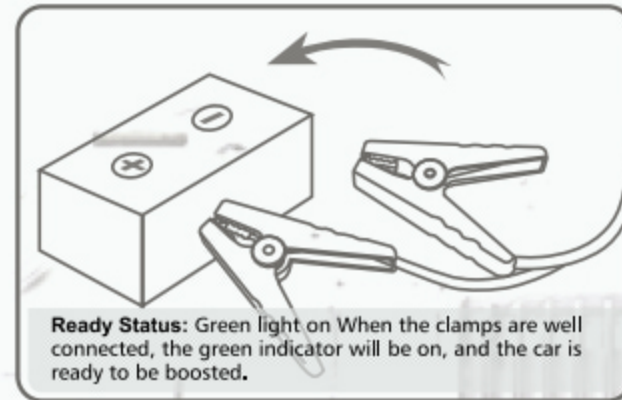


HOW TO JUMP START A 12V VEHICLE

Whether it's extreme heat or cold or you simply left the lights on, car batteries die for all sorts of reasons. The Portable Jump starters allow you to jump your battery back to life without the need of another vehicle.

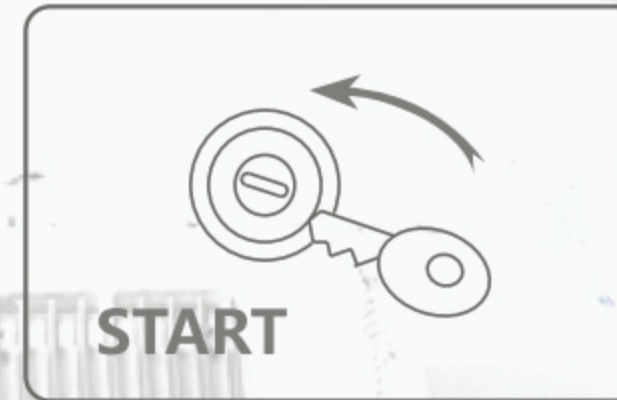


1 Connect: Connect the clamps to the product EC5 Dock

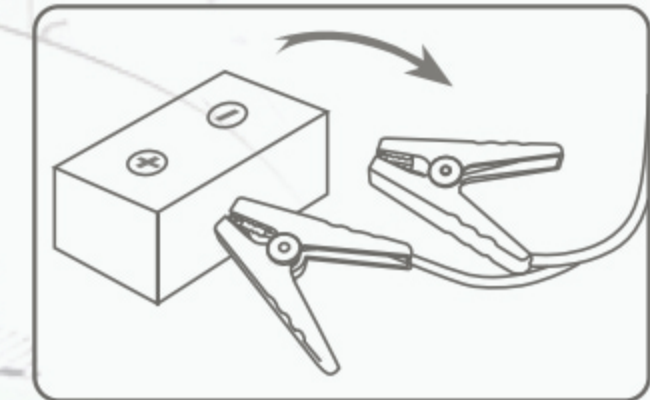


2 Connect: Connect the clamps to the car battery positive pole (red) and negative pole (black)

Ready Status: Green light on. When the clamps are well connected, the green indicator will be on, and the car is ready to be boosted.



3 Turn over the engine: Turn over the engine, start up your car



4 Retrieve the Clamps as soon as possible when the car is successfully started.

Note: Please turn off high power consumption devices in your vehicle before you jump start it, such as navigation and air conditioning. Clean up the car battery connectors. Please connect closely and correctly. The jump starter will not work when inversely connected to the car battery.

PRODUCT FEATURES

EXCELLENT GEAR TO BOOST UP YOUR CAR

The portable jumpstarter is made not only for emergency jumpstart your car, but also can be backup power everywhere. It's very useful for camping, or wherever you need power when you are on the go.

COMPACT DESIGN WITH TOUGH STRUCTURE

The portable jumpstarter's plastic shell is designed to be tough, environmental protection. The product structure adopts multi-point buckle, allowing the product to have favorable dust-proof and Impact-resistant and extremely powerful ruggedness.

BUILT-IN HIGH QUALITY Li-POLYMER BATTERY

The portable jumpstarter adopts high quality Li-Polymer batteries, featured with long lifespan, high safety, high-power density, high capacity, high temperature resistance, slim size but more portable weight.

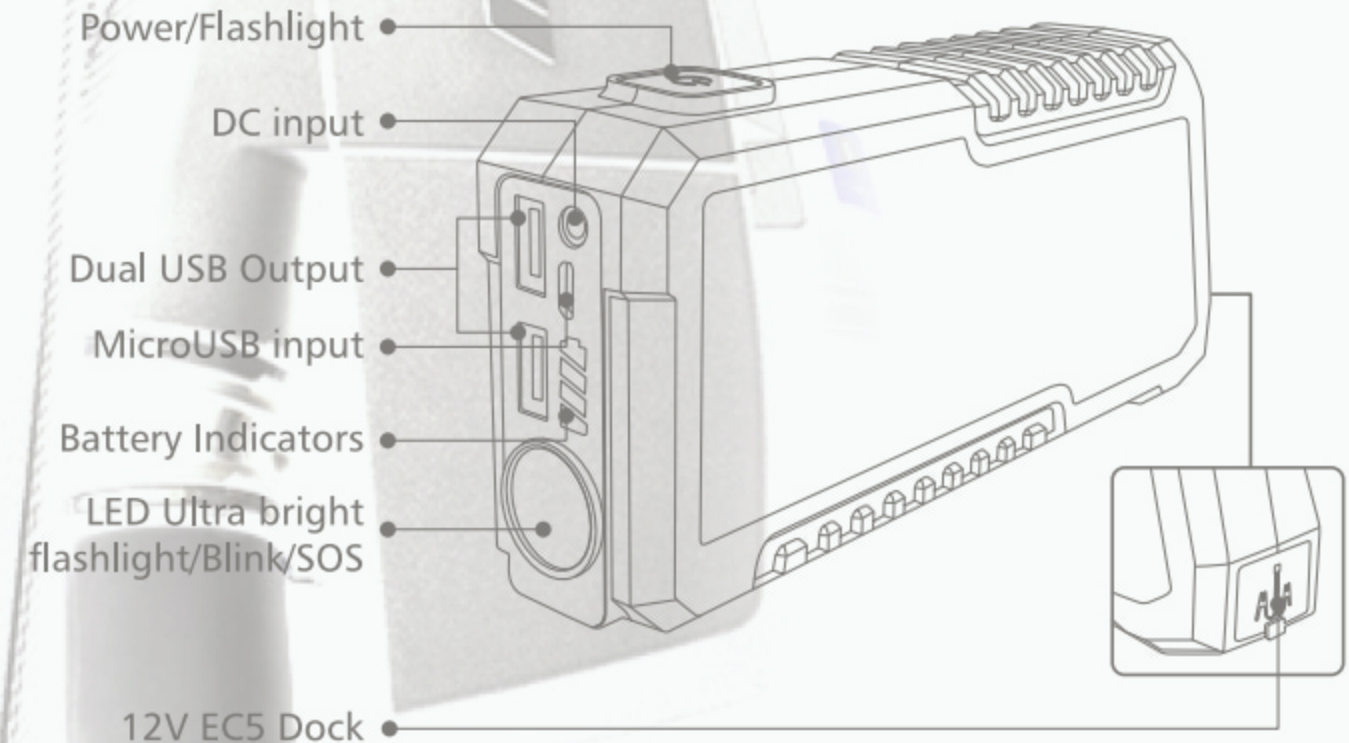
ULTRA BRIGHT LED FLASHLIGHT

The portable jumpstarter is equipped with an ultra-bright LED flashlight, Available in flashlight, blink, and SOS mode. It's perfect for room, lamp, outdoor illumination and emergency SOS Light as well.

MULTISAFETY PROTECTION 2.0

Protection	MultiSafety Protection 2.0	Protection	MultiSafety Protection 2.0
Short-circuit protection reaction time grade (Lower is better)	0.000000001 second	Over-current protection	√
Short-circuit protection	√	Over-voltage protection	√
Delay protection	√	Low-voltage protection	√
Reverse polarity protection	√	Reverse filling protection	√
		Overfrequency protection	√
		Over-temperature protection	√

PRODUCT INTERFACE DESCRIPTION



WARNING

This product must cooperatively work with standard Smart Clamps, it is forbidden to use a third party battery clip, otherwise it will cause dangers and may endanger the safety of users. Before using this product, please read the user manual carefully and properly keep for reference. All rights reserved. Reproduction in whole or in part without written permission is prohibited. All other trademarks are trademarks of their respective owners. Features and specifications are subject to change without notice.

Made In China

