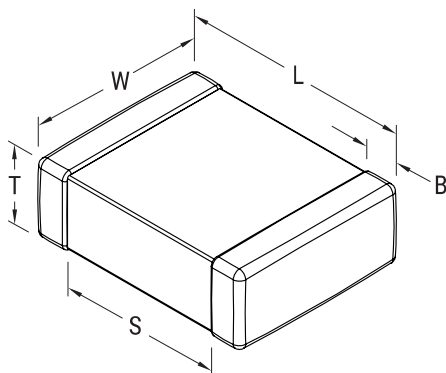


KEMET Part Number: C0402C102J3GACTU
(C0402C102J3GAC7867)

SMD Comm COG, Ceramic, 1000 pF, 5%, 25 V, COG, SMD, MLCC, Ultra-Stable, Low Loss, Class I, 0402



Dimensions

| Dimension | Value |
|-----------|-----------------|
| L | 1mm +/-0.05mm |
| W | 0.5mm +/-0.05mm |
| T | 0.5mm +/-0.05mm |
| S | 0.3mm MIN |
| B | 0.3mm +/-0.1mm |

Packaging Specifications

| | |
|----------------------------|------------------------|
| Packaging: | T&R, 180mm, Paper Tape |
| Packaging Quantity: | 10000 |

General Information

| | |
|----------------------|--|
| Supplier: | KEMET |
| Series: | SMD Comm COG |
| Style: | SMD Chip |
| Description: | SMD, MLCC, Ultra-Stable, Low Loss, Class I |
| Features: | Ultra-Stable, Low Loss, Class I |
| RoHS: | Yes |
| Termination: | Tin |
| Marking: | No |
| Failure Rate: | N/A |
| Chip Size: | 0402 |
| Shelf Life: | 78 Weeks |
| MSL: | 1 |

Specifications

| | |
|---|---------------------|
| Capacitance: | 1000 pF |
| Capacitance Tolerance: | 5% |
| Voltage DC: | 25 VDC |
| Dielectric Withstanding Voltage: | 62.5 V |
| Temperature Range: | -55/+125C |
| Temperature Coefficient: | COG |
| Dissipation Factor: | 0.1% 1MHz 25C |
| Aging Rate: | 0% Loss/Decade Hour |
| Insulation Resistance: | 100 GOhms |