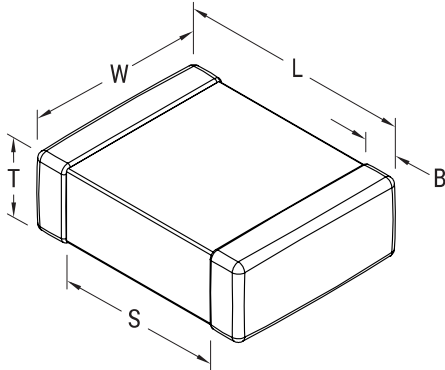


SMD Auto X7R, Ceramic, 220 pF, 10%, 50 V, X7R, SMD, MLCC, Temperature Stable, Automotive Grade, 0603



| Dimensions | |
|------------|------------------|
| L | 1.6mm +/-0.15mm |
| W | 0.8mm +/-0.15mm |
| T | 0.8mm +/-0.07mm |
| S | 0.7mm MIN |
| B | 0.35mm +/-0.15mm |

| Packaging Specifications | |
|--------------------------|------------------------|
| Packaging: | T&R, 180mm, Paper Tape |
| Packaging Quantity: | 4000 |

| General Information | |
|---------------------|--|
| Supplier: | KEMET |
| Series: | SMD Auto X7R |
| Style: | SMD Chip |
| Description: | SMD, MLCC, Temperature Stable, Automotive Grade |
| Features: | Temperature Stable, Automotive Grade |
| RoHS: | Yes |
| Termination: | Tin |
| Marking: | No |
| Failure Rate: | N/A |
| Qualifications: | AEC-Q200 |
| AEC-Q200: | Yes |
| Miscellaneous: | Note: Referee time for X7R dielectric for this part number is 1000 hours |
| Chip Size: | 0603 |
| Shelf Life: | 78 Weeks |
| MSL: | 1 |

| Specifications | |
|----------------------------------|---------------------|
| Capacitance: | 220 pF |
| Capacitance Tolerance: | 10% |
| Voltage DC: | 50 VDC |
| Dielectric Withstanding Voltage: | 125 V |
| Temperature Range: | -55/+125C |
| Temperature Coefficient: | X7R |
| Dissipation Factor: | 2.5% 1kHz 25C |
| Aging Rate: | 3% Loss/Decade Hour |
| Insulation Resistance: | 100 GOhms |