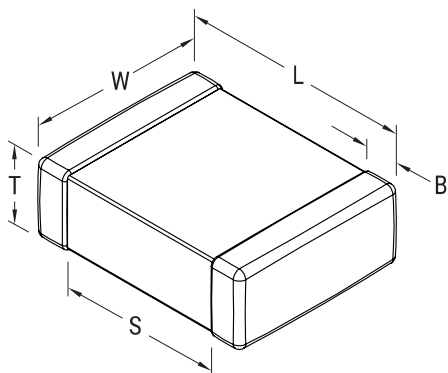


KEMET Part Number: C0805C105K5RACTU
(C0805C105K5RAC7800)

SMD Comm X7R, Ceramic, 1 uF, 10%, 50 V, X7R, SMD, MLCC, Temperature Stable, Class II, 0805



Dimensions

Dimensions	
L	2mm +/-0.2mm
W	1.25mm +/-0.2mm
T	1.25mm +/-0.15mm
S	0.75mm MIN
B	0.5mm +/-0.25mm

Packaging Specifications

Packaging Specifications	
Packaging:	T&R, 180mm, Plastic Tape
Packaging Quantity:	2500

General Information

General Information	
Supplier:	KEMET
Series:	SMD Comm X7R
Style:	SMD Chip
Description:	SMD, MLCC, Temperature Stable, Class II
Features:	Temperature Stable, Class II
RoHS:	Yes
Termination:	Tin
Marking:	No
Failure Rate:	N/A
Miscellaneous:	Note: Referee time for X7R dielectric for this part number is 48 hours
Chip Size:	0805
Shelf Life:	78 Weeks
MSL:	1

Specifications

Specifications	
Capacitance:	1 uF
Capacitance Tolerance:	10%
Voltage DC:	50 VDC
Dielectric Withstanding Voltage:	125 V
Temperature Range:	-55/+125C
Temperature Coefficient:	X7R
Dissipation Factor:	10% 1kHz 25C
Aging Rate:	3% Loss/Decade Hour
Insulation Resistance:	100 MOhms