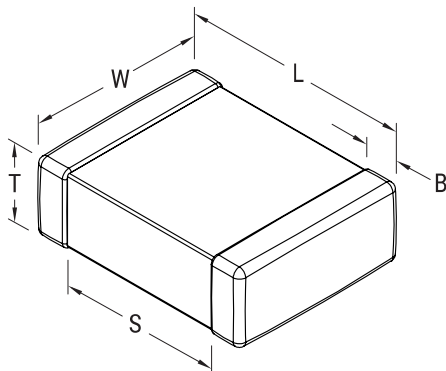


KEMET Part Number: C0805C222K1RACTU
(C0805C222K1RAC7800)

SMD Comm X7R, Ceramic, 2200 pF, 10%, 100 V, X7R, SMD, MLCC, Temperature Stable, Class II, 0805



Dimensions

| | |
|----------|------------------|
| L | 2mm +/-0.2mm |
| W | 1.25mm +/-0.2mm |
| T | 0.78mm +/-0.10mm |
| S | 0.75mm MIN |
| B | 0.5mm +/-0.25mm |

Packaging Specifications

| | |
|----------------------------|------------------------|
| Packaging: | T&R, 180mm, Paper Tape |
| Packaging Quantity: | 4000 |

General Information

| | |
|-----------------------|--|
| Supplier: | KEMET |
| Series: | SMD Comm X7R |
| Style: | SMD Chip |
| Description: | SMD, MLCC, Temperature Stable, Class II |
| Features: | Temperature Stable, Class II |
| RoHS: | Yes |
| Termination: | Tin |
| Marking: | No |
| Failure Rate: | N/A |
| Miscellaneous: | Note: Referee time for X7R dielectric for this part number is 1000 hours |
| Chip Size: | 0805 |
| Shelf Life: | 78 Weeks |
| MSL: | 1 |

Specifications

| | |
|---|---------------------|
| Capacitance: | 2200 pF |
| Capacitance Tolerance: | 10% |
| Voltage DC: | 100 VDC |
| Dielectric Withstanding Voltage: | 250 V |
| Temperature Range: | -55/+125C |
| Temperature Coefficient: | X7R |
| Dissipation Factor: | 2.5% 1kHz 25C |
| Aging Rate: | 3% Loss/Decade Hour |
| Insulation Resistance: | 100 GOhms |