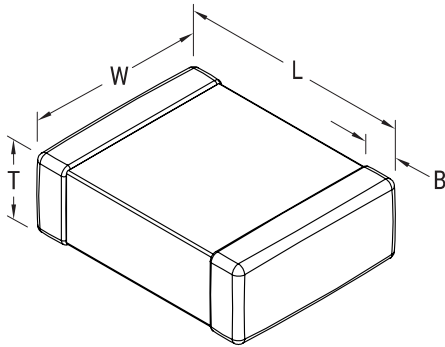


SMD Auto X7R, Ceramic, 4.7 uF, 10%, 50 V, X7R, SMD, MLCC, Temperature Stable, Automotive Grade, 1210



| Dimensions |                 |
|------------|-----------------|
| L          | 3.2mm +/-0.3mm  |
| W          | 2.5mm +/-0.22mm |
| T          | 2.5mm +/-0.30mm |
| B          | 0.5mm +/-0.25mm |

| Packaging Specifications |                          |
|--------------------------|--------------------------|
| Packaging:               | T&R, 180mm, Plastic Tape |
| Packaging Quantity:      | 1000                     |

| General Information |  |
|---------------------|--|
| Supplier:           | KEMET  |
| Series:             | SMD Auto X7R   |
| Style:              | SMD Chip   |
| Description:        | SMD, MLCC, Temperature Stable, Automotive Grade                          |
| Features:           | Temperature Stable, Automotive Grade                                     |
| RoHS:               | Yes  |
| Termination:        | Tin  |
| Marking:            | No   |
| Failure Rate:       | N/A  |
| Qualifications:     | AEC-Q200   |
| AEC-Q200:           | Yes  |
| Miscellaneous:      | Note: Referee time for X7R dielectric for this part number is 1000 hours |
| Chip Size:          | 1210   |
| Shelf Life:         | 78 Weeks   |
| MSL:                | 1  |

| Specifications                   |                     |
|----------------------------------|---------------------|
| Capacitance:                     | 4.7 uF              |
| Capacitance Tolerance:           | 10%                 |
| Voltage DC:                      | 50 VDC              |
| Dielectric Withstanding Voltage: | 125 V               |
| Temperature Range:               | -55/+125C           |
| Temperature Coefficient:         | X7R                 |
| Dissipation Factor:              | 2.5% 1kHz 25C       |
| Aging Rate:                      | 3% Loss/Decade Hour |
| Insulation Resistance:           | 106 MOhms           |