

Würth Elektronik eiSos GmbH & Co. KG

EMC & Inductive Solutions

Max-Eyth-Straße 1 · 74638 Waldenburg · Germany

Tel. +49 (0) 79 42 945-0 · Fax +49 (0) 79 42 945-400

eiSos@we-online.de · www.we-online.de



Product/Process Change Notice (PCN)

- Major change
 Minor change

PCN #: PCN_ConCOM_20180301

Product Affected: ConUSB31_632723300011; 632723300021;
632723100011; 632723100021PCN Date: February 8th, 2018

Effective Date: March 1st, 2018

Contact: Product Management

Tel: +49 7942 945-5001

Fax: +49 7942 945-5179

E-mail: PCN.eican@we-online.de

- Product Mark
 Date Code
 Packaging
 Others

Attachment: Yes No

Samples: No

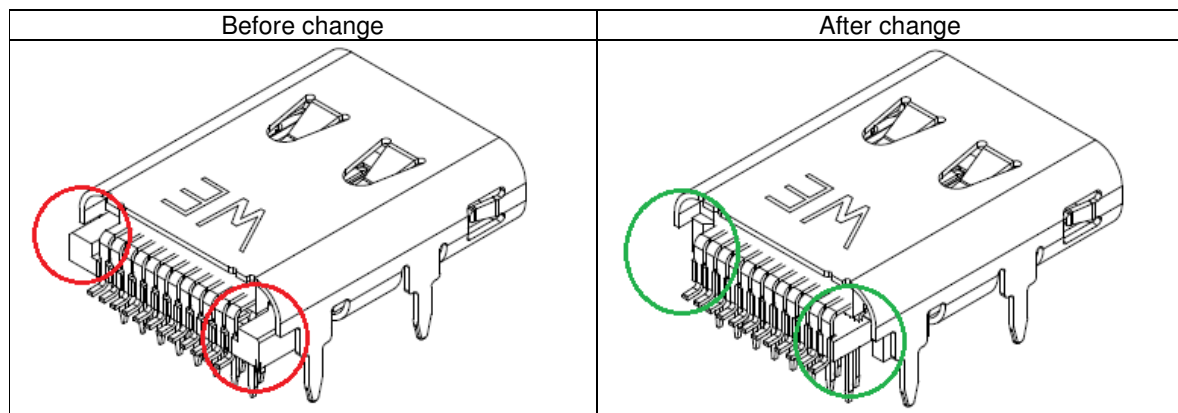
DESCRIPTION AND PURPOSE OF CHANGE:

In order to enhance the product reliability, Würth Elektronik will change the housing design of these USB type C products and the manufacturing process.

This change has no impact on technical features (mating forces, insulation) of the product or connectors functional dimensions (layout, outer/overall dimensions).

DETAIL OF CHANGE:

Würth Elektronik reduces plastic housing size in order to facilitate mold extraction and improve processability.



RELIABILITY / QUALIFICATION SUMMARY:

Product approval is according to the specification and is internally released by the Product Management Departments.

DATA SHEET CHANGE:

 Yes No

Würth Elektronik eiSos GmbH & Co. KG Sitz Waldenburg, Registergericht Stuttgart HRA 580801

Komplementär Würth Elektronik eiSos Verwaltungs-GmbH, Sitz Waldenburg, Registergericht Stuttgart HRB 581033 · Geschäftsführer Oliver Konz, Thomas Schrott

Bankverbindungen UniCredit Bank AG Stuttgart, Konto 322 620 136, BLZ 600 202 90, IBAN DE86 6002 0290 0322 6201 36, SWIFT/BIC HYVEDEMM473

USt.-IdNr. DE220618976