

Panel Mount Solid State Relay Single Phase AC Output



RoHS
Compliant



Description

These are a single phase solid state relay use the TRIAC or SCR output. It is widely used in various industry applications, and it can be used for the resistive, inductive or capacitive loads. The control voltage is 4-32V DC or 90-280V AC, load voltage is 240V AC, 480V AC or 600V AC. Wide load current range from 10 to 125A.

Features

- Zero Crossing or Random-on
- Load Current: 10A ~ 125A @ 48 ~ 660V AC
- TRIAC or SCR Output
- AC or DC Control
- Dielectric Strength $\geq 4,000V$ ACrms
- LED Indicator
- Build-in MOV or TVS Option

Application

High-low Temperature Chamber, Plastics Machinery, Food processing machinery, Injection machine, Incubator, HVAC, Elevator Lighting, Fountain Controller etc.

Technical Specification

Input		
Control Voltage Range	DC input	4-32V DC
	AC input	90-280V AC
Minimum Turn-on Voltage	DC input	4V DC
	AC input	90V AC
Minimum Turn-off Voltage	DC input	1V DC
	AC input	10V AC
Minimum Turn-off Voltage	DC input	25mA
	AC input	20mA
Output		
Load Voltage Range	240V AC	48 ~ 280V AC
	480V AC	48 ~ 530V AC
	600V AC	48 ~ 660V AC
Maximum Turn-on Time	DC Input Random-On	1ms
	DC Input Zero-Crossing	10ms
	AC input	40ms
Maximum Turn-off Time	DC input	10ms
	AC input	40ms

Panel Mount Solid State Relay

Single Phase AC Output



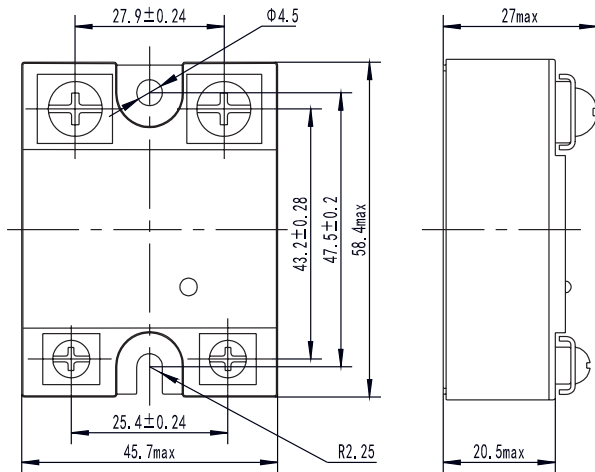
Max. Surge Current[@10ms]	10A	100A
	25A	250A
	40A	400A
	60A	600A
	80A	800A
	100A	1000A
	125A	1250A
Max. I ² t for Fusing [@10ms]	10A	50A ² S
	25A	312A ² S
	40A	800A ² S
	60A	1800A ² S
	80A	3200A ² S
	100A	5000A ² S
	125A	7812A ² S
Transient Over voltage	240V AC	600Vpk
	600V AC	800Vpk
	480V AC	1600Vpk
Maximum Off-state Leakage Current [@Rated Voltage]		5mA
Maximum On-state Voltage Drop [@ Rated Current]		1.6Vrms
Minimum Off-state dv/dt [@ Maximum Rated Voltage]		500V/μs
General Information		
Dielectric Strength [50/60Hz]	Input/Output	2,500Vrms
	Input, Output/Base	4,000Vrms
Operating Temperature Range		-30°C ~ +80°C
Storage Temperature Range		-30°C ~ +100°C
Weight[Typical]	Standard version	96g
	Option High Profile	180g
	Option IP20 Cover	100g

Panel Mount Solid State Relay Single Phase AC Output

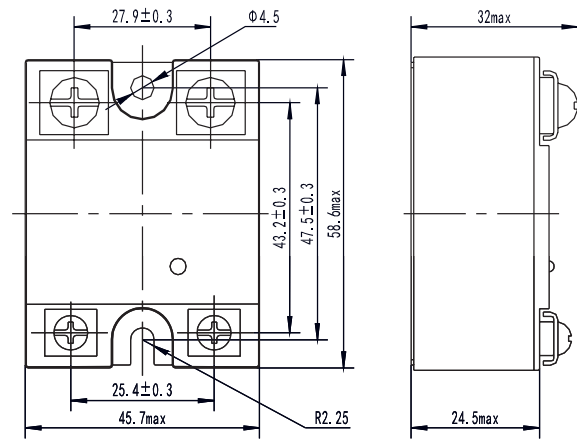


Installation Diagram

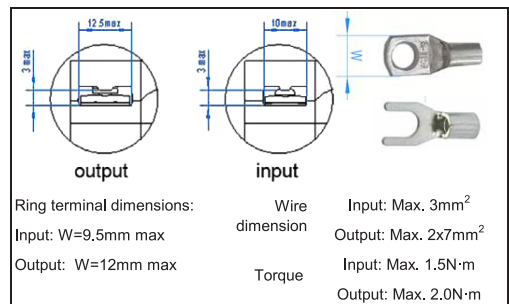
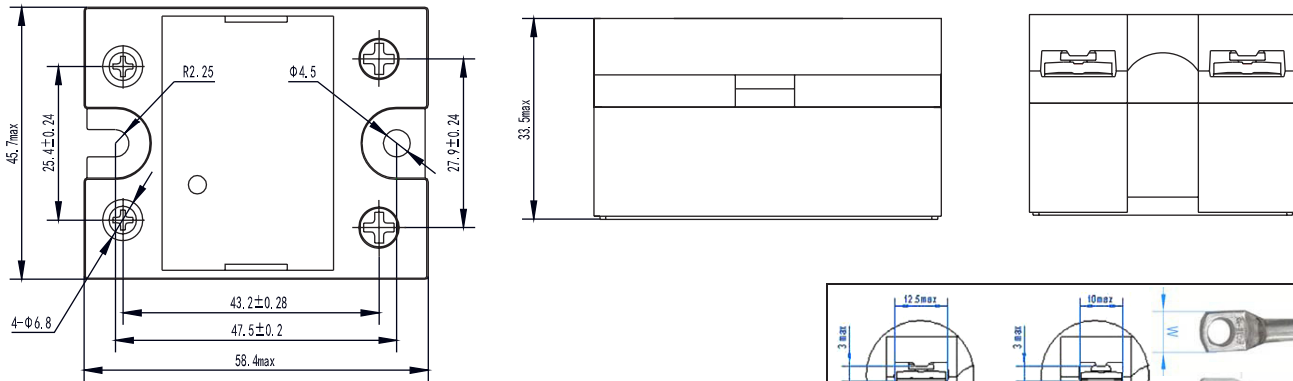
Standard Version



Option High Profile



Option IP20 Cover



Dimensions : Millimetres

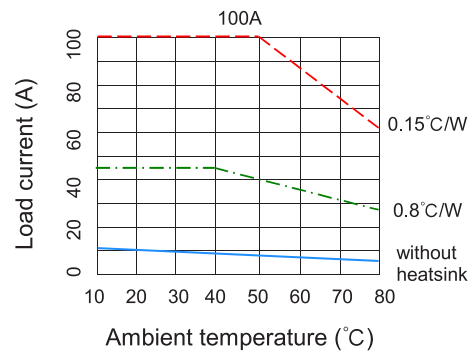
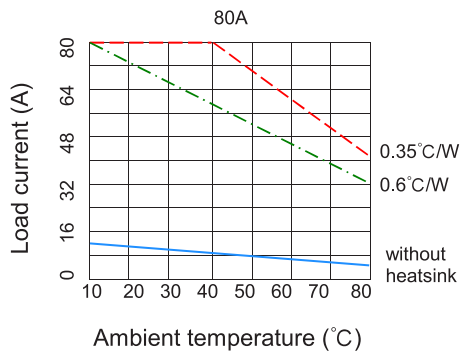
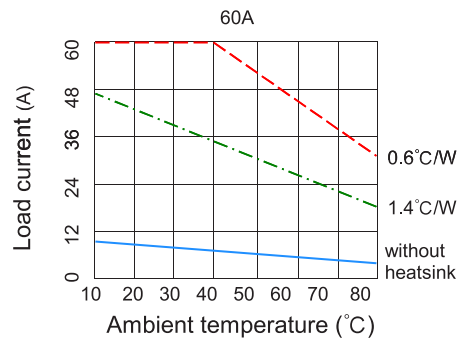
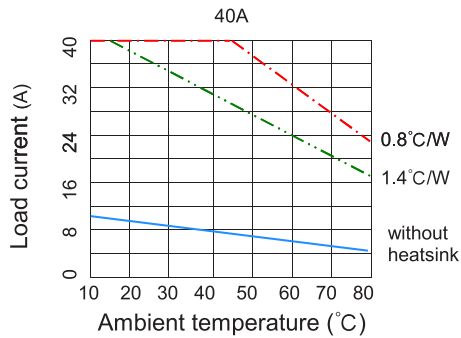
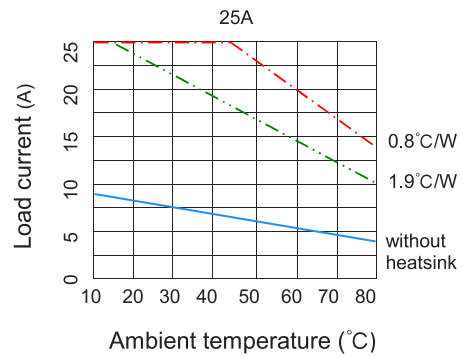
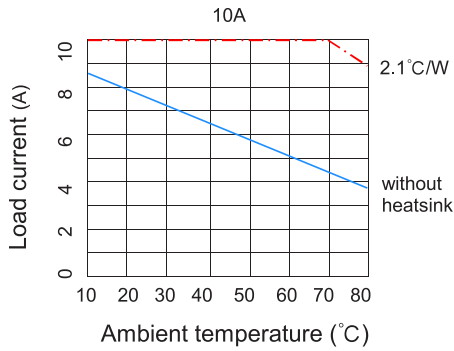
www.element14.com
www.farnell.com
www.newark.com



Panel Mount Solid State Relay Single Phase AC Output



Temperature Curve



Panel Mount Solid State Relay Single Phase AC Output



Part Number Table

Description	Part Number
SSR, 60A, 240V AC, 90-280V AC, Zero Crossing, IP00, Thermal Pad	MC002305
SSR, 60A, 480V AC, 90-280V AC, Zero Crossing	MC002329
SSR, 10A, 240V AC, 4-32V DC, Zero Crossing	MC002307
SSR, 60A, 240V AC, 4-32V DC, Zero Crossing, IP00, Thermal Pad	MC002322
SSR, 125A, 480V AC, 90-280V AC, Zero Crossing, High Profile	MC002326
SSR, 80A, 240V AC, 4-32V DC, Zero Crossing, High Profile	MC002324
SSR, 10A, 240V AC, 4-32V DC, Zero Crossing, NC	MC002310
SSR, 125A, 600V AC, 4-32V DC, Zero Crossing, High Profile	MC002341
SSR, 25A, 480V AC, 90-280V AC, Zero Crossing	MC002327
SSR, 10A, 240V AC, 4-32V DC, Random Turn On, SCR Structure	MC002311
SSR, 25A, 240V AC, 4-32V DC, Zero Crossing, IP20	MC002313
SSR, 60A, 240V AC, 4-32V DC, Zero Crossing, IP20	MC002320
SSR, 25A, 600V AC, 4-32V DC, Zero Crossing	MC002343
SSR, 25A, 240V AC, 90-280V AC, Zero Crossing, IP20	MC002301
SSR, 100A, 480V AC, 4-32V DC, Zero Crossing, High Profile	MC002331
SSR, 60A, 600V AC, 90-280V AC, Zero Crossing, IP20, Thermal Pad	MC002338
SSR, 40A, 240V AC, 4-32V DC, Random Turn On	MC002318
SSR, 100A, 240V AC, 90-280V AC, Zero Crossing, High Profile, IP00	MC002298
SSR, 40A, 240V AC, 90-280V AC, Zero Crossing	MC002303
SSR, 60A, 600V AC, 4-32V DC, Zero Crossing, IP20	MC002345
SSR, 25A, 240V AC, 4-32V DC, Zero Crossing, NC	MC002315
SSR, 40A, 240V AC, 4-32V DC, Zero Crossing	MC002317
SSR, 10A, 240V AC, 90-280V AC, Zero Crossing	MC002299
SSR, 100A, 240V AC, 4-32V DC, Zero Crossing, High Profile	MC002306
SSR, 60A, 240V AC, 4-32V DC, Random Turn On	MC002323
SSR, 100A, 480V AC, 90-280V AC, Zero Crossing, High Profile	MC002325
SSR, 25A, 240V AC, 4-32V DC, Random Turn On, SCR Structure	MC002316
SSR, 60A, 480V AC, 4-32V DC, Zero Crossing	MC002334
SSR, 125A, 240V AC, 4-32V DC, Random Turn On, High Profile	MC002312
SSR, 60A, 600V AC, 4-32V DC, Zero Crossing	MC002344
SSR, 25A, 480V AC, 4-32V DC, Zero Crossing	MC002332
SSR, 25A, 240V AC, 90-280V AC, Random Turn On	MC002302
SSR, 10A, 240V AC, 4-32V DC, Zero Crossing, SCR Structure	MC002308
SSR, 60A, 240V AC, 90-280V AC, Zero Crossing	MC002304
SSR, 60A, 240V AC, 4-32V DC, Zero Crossing, IP20, Thermal Pad	MC002321
SSR, 125A, 600V AC, 4-32V DC, Random Turn On, High Profile	MC002342
SSR, 10A, 240V AC, 4-32V DC, Zero Crossing, IP00, SCR Structure	MC002309

Panel Mount Solid State Relay Single Phase AC Output



Description	Part Number
SSR, 80A, 480V AC, 90-280V AC, Zero Crossing, High Profile	MC002330
SSR, 80A, 600V AC, 90-280V AC, Zero Crossing, High Profile, IP00	MC002339
SSR, 100A, 600V AC, 4-32V DC, Zero Crossing, High Profile	MC002340
SSR, 40A, 480V AC, 90-280V AC, Zero Crossing	MC002328
SSR, 60A, 600V AC, 90-280V AC, Zero Crossing, IP20	MC002337
SSR, 80A, 480V AC, 4-32V DC, Zero Crossing, High Profile	MC002336
SSR, 40A, 480V AC, 4-32V DC, Zero Crossing	MC002333
SSR, 25A, 240V AC, 90-280V AC, Zero Crossing	MC002300
SSR, 60A, 480V AC, 4-32V DC, Random Turn On	MC002335
SSR, 25A, 240V AC, 4-32V DC, Zero Crossing, SCR Structure	MC002314
SSR, 60A, 240V AC, 4-32V DC, Zero Crossing	MC002319

Important Notice : This data sheet and its contents (the "Information") belong to the members of the Premier Farnell group of companies (the "Group") or are licensed to it. No licence is granted for the use of it other than for information purposes in connection with the products to which it relates. No licence of any intellectual property rights is granted. The Information is subject to change without notice and replaces all data sheets previously supplied. The Information supplied is believed to be accurate but the Group assumes no responsibility for its accuracy or completeness, any error in or omission from it or for any use made of it. Users of this data sheet should check for themselves the Information and the suitability of the products for their purpose and not make any assumptions based on information included or omitted. Liability for loss or damage resulting from any reliance on the Information or use of it (including liability resulting from negligence or where the Group was aware of the possibility of such loss or damage arising) is excluded. This will not operate to limit or restrict the Group's liability for death or personal injury resulting from its negligence. Multicomp is the registered trademark of the Group. © Premier Farnell Limited 2016.

www.element14.com
www.farnell.com
www.newark.com

