

# Panel Mount Solid State Relay

## Single Phase DC Output



RoHS  
Compliant



### Application

Suitable for DC heating DC power DC valve DC motor Solar Energy Medical equipment and so on.

### Features

- MOSFET and IGBT Output
- Low on Impedance
- 4-32VDC Control Input
- Dielectric Strength  $\geq 2500V$  ACrms
- Opto-isolation
- LED Indication

### Technical Specification

Input Circuit			
Control Voltage Range		4-32V DC	
Minimum Turn-on Voltage		4V DC	
Minimum Turn-off Voltage		1V DC	
Maximum Input Current		28mA @ 32V DC	
Maximum Reverse Voltage		32V DC	
Output Circuit			
Line Voltage Range	50V DC		0-50V DC
	60V DC		0-60V DC
	100V DC		0-100V DC
	200V DC		0-200V DC
	400V DC		0-400V DC
	1200V DC		0-1200VDC
Load Current Range	7A		0.001 - 7A
	20A		0.001 - 20A
	25A		0.001 - 25A
	40A		0.001 - 40A
	80A		0.001 - 80A
	100A		0.001 - 100A
Maximum Surge Current[@10ms]	50V DC/ 60V DC/ 100V DC/ 200V DC	7A	30A
		20A	60A
		25A	75A
		40A	120A
		80A	200A
		100A	250A
	400V DC/1200V DC	25A	150A



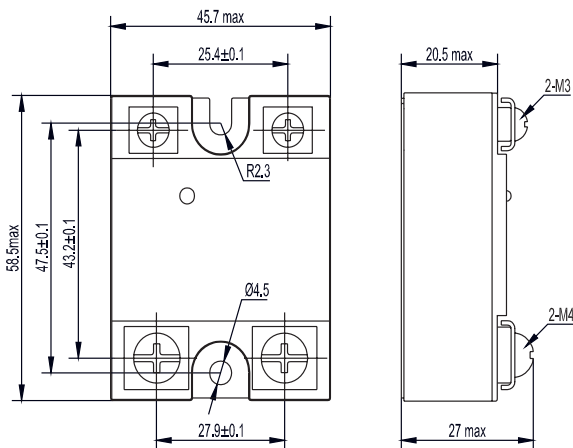
# Panel Mount Solid State Relay

## Single Phase DC Output



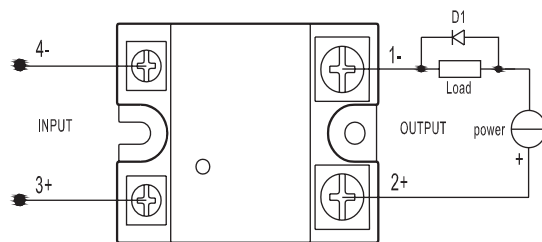
Maximum Turn-on Time	50V DC/60V DC/ 100V DC/200V DC		100µs
	400V DC/ 1200V DC		1ms
Maximum Turn-off Time	50V DC/60V DC/ 100V DC/200V DC		100µs
	400V DC/ 1200V DC		1ms
Maximum Off-State Leakage Current [ @ Rated Voltage]	50V DC/60V DC/ 100V DC/200V DC		0.1mA
	400V DC/1200V DC		0.5mA
Maximum On-state Resistance	50V DC	40A	12mΩ max.
	60V DC	7A	14mΩ max.
	100V DC	20A/40A	13mΩ max.
		80A/100A	6.5mΩ max.
200V DC	20A/40A	30mΩ max.	
Maximum On-State Voltage Drop [ @ Rated Current]	400V DC/1200V DC		1.75V
<b>General Information</b>			
Dielectric Strength, [50/60Hz]	Input/Output		≥2500Vrms
	Input,Output/Base		≥2500Vrms
Ambient Operating Temperature Range	-30°C ~ +80°C		
Ambient Storage Temperature Range	-30°C ~ +100°C		
Weight [Typical]	95g		

### Installation Drawing



Dimensions : Millimetres

### Wiring Diagram



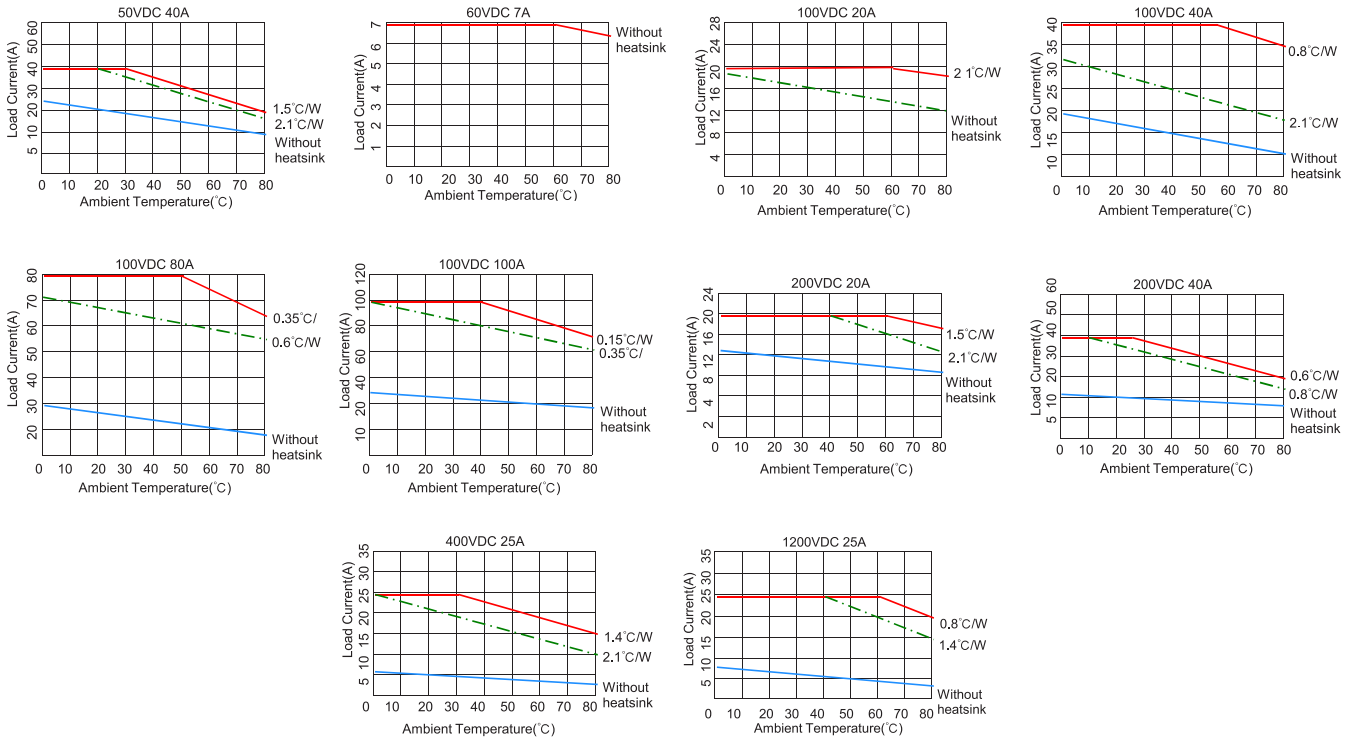
Inductive loads must be diode suppressed both load terminals are inverse paralleled with a fly-wheel diode D1 inversely  
D1: fast recovery diode

# Panel Mount Solid State Relay

## Single Phase DC Output



### Thermal Curve



### Part Number Table

Description	Part Number
SSR, Panel Mount, 100A, 100V DC, 4-32V DC, Zero Crossing, DC Switch	MC002358
SSR, Panel Mount, 20A, 100V DC, 4-32V DC, Zero Crossing, DC Switch	MC002359
SSR, Panel Mount, 40A, 100V DC, 4-32V DC, Zero Crossing, DC Switch	MC002360
SSR, Panel Mount, 80A, 100V DC, 4-32V DC, Zero Crossing, DC Switch	MC002361
SSR, Panel Mount, 25A, 1200VDC, 4-32VDC, Zero Crossing, DC Switch	MC002362
SSR, Panel Mount, 20A, 200VDC, 4-32VDC, Zero Crossing, DC Switch	MC002363
SSR, Panel Mount, 40A, 200VDC, 4-32VDC, Zero Crossing, DC Switch	MC002365
SSR, Panel Mount, 25A, 400VDC, 4-32VDC, Zero Crossing, DC Switch	MC002366
SSR, Panel Mount, 40A, 50VDC, 4-32VDC, Zero Crossing, DC Switch	MC002367
SSR, Panel Mount, 7A, 60VDC, 4-32VDC, Zero Crossing, DC Switch	MC002368
SSR, Panel Mount, 7A, 60VDC, 4-32VDC, Zero Crossing, DC Switch, NC	MC002369

**Important Notice :** This data sheet and its contents (the "Information") belong to the members of the Premier Farnell group of companies (the "Group") or are licensed to it. No licence is granted for the use of it other than for information purposes in connection with the products to which it relates. No licence of any intellectual property rights is granted. The Information is subject to change without notice and replaces all data sheets previously supplied. The Information supplied is believed to be accurate but the Group assumes no responsibility for its accuracy or completeness, any error in or omission from it or for any use made of it. Users of this data sheet should check for themselves the Information and the suitability of the products for their purpose and not make any assumptions based on information included or omitted. Liability for loss or damage resulting from any reliance on the Information or use of it (including liability resulting from negligence or where the Group was aware of the possibility of such loss or damage arising) is excluded. This will not operate to limit or restrict the Group's liability for death or personal injury resulting from its negligence. Multicomp is the registered trademark of the Group. © Premier Farnell Limited 2016.

