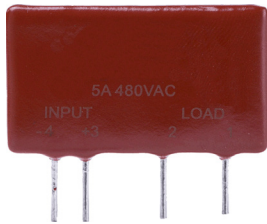


PCB Mount Solid State Relay

Single Phase AC Output



**RoHS
Compliant**



Description

This is PCB mounted solid state relay. The load current is 3A,5A, including zero cross and random-on switching control. The control voltage is 4-15VDC, 15-32VDC and 4-32VDC. Opto-isolation is 4000VACrms. High inrush current capability, suitable for important industrial applications such as lighting control, motor control, medical device, elevator.

Features

- Zero Crossing or Random-on Switching
- Ratings From 0.1A to 5A @ 24-530V AC
- Control Voltage: 4-15V DC, 15-32V DC and 4-32V DC
- Opto-isolation: 4000VACrms

Application

Suitable for oiling machine, solenoid valve control.

Technical Specification

Input Circuit		
Control Voltage Range		4-15V DC
		15-32V DC
		4-32V DC
Minimum Turn-on Voltage	4-15V DC	4V DC
	15-32V DC	15V DC
	4-32V DC	4V DC
Minimum Turn-off Voltage		1V DC
Maximum Input Current		25mA
Output Circuit		
Load Voltage Range	240V AC	24-280V AC
	480V AC	24-530V AC
Transient Over voltage	240V AC	600Vpk
	480V AC	1200Vpk
Load Current Range	3A	0.1 - 3A
	5A	0.1 - 5A
Maximum Turn-on Time	Random-On	1ms
	Zero Crossing	10ms
Maximum Turn-off Time		10ms
Maximum Surge Current [@10 ms]	3A	250A
	5A	200A
Maximum Off-State Leakage Current [@ Rated Voltage]		1.5mA
Maximum On-State Voltage Drop [@ Rated Current]		1.5Vrms

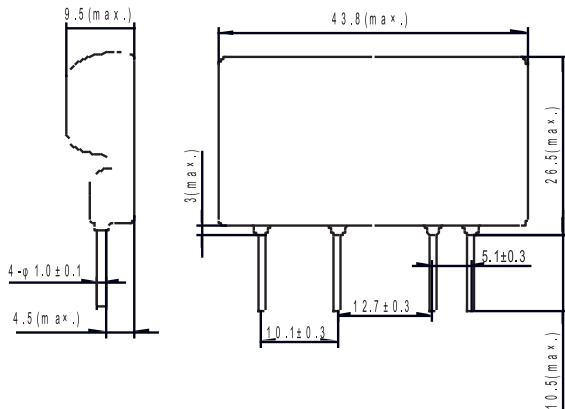
PCB Mount Solid State Relay

Single Phase AC Output



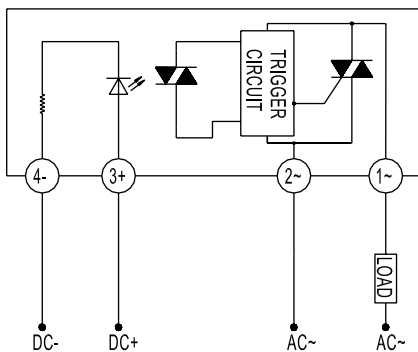
Minimum Off-State dv/dt [@ Maximum Rated Voltage]	200V/ μ s
General Information	
Dielectric Strength, Input/Output (50/60Hz)	4000Vrms
Ambient Operating Temperature Range	-30°C ~ +80°C
Ambient Storage Temperature Range	-30°C ~ +100°C
Weight (Typical)	11.8g

Installation Drawing



Dimensions : Millimetres

Wiring Diagram

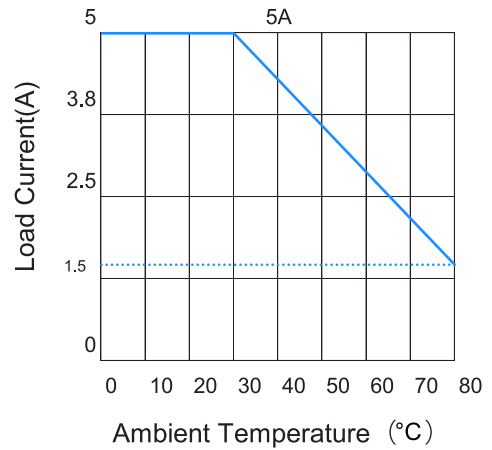
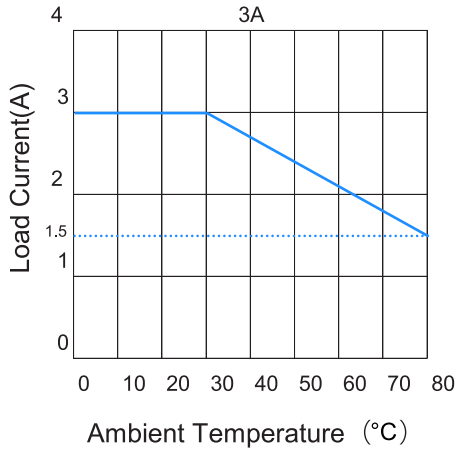


PCB Mount Solid State Relay

Single Phase AC Output



Thermal Curve



Part Number Table

Description	Part Number
SSR, PCB Mount, 3A, 240V AC, 4-15V DC, Zero Crossing	MC002243
SSR, PCB Mount, 5A, 240V AC, 15-32V DC, Zero Crossing	MC002244
SSR, PCB Mount, 5A, 240V AC, 4-15V DC, Zero Crossing	MC002245
SSR, PCB Mount, 5A, 240V AC, 4-15V DC, Random Turn On	MC002246
SSR, PCB Mount, 5A, 240V AC, 4-32V DC, Zero Crossing	MC002247
SSR, PCB Mount, 5A, 280V AC, 4-32V DC, Zero Crossing	MC002248
SSR, PCB Mount, 5A, 480V AC, 15-32V DC, Zero Crossing	MC002249
SSR, PCB Mount, 5A, 480V AC, 4-15V DC, Zero Crossing	MC002250
SSR, PCB Mount, 5A, 480V AC, 4-15V DC, Random Turn On	MC002251

Important Notice : This data sheet and its contents (the "Information") belong to the members of the Premier Farnell group of companies (the "Group") or are licensed to it. No licence is granted for the use of it other than for information purposes in connection with the products to which it relates. No licence of any intellectual property rights is granted. The Information is subject to change without notice and replaces all data sheets previously supplied. The Information supplied is believed to be accurate but the Group assumes no responsibility for its accuracy or completeness, any error in or omission from it or for any use made of it. Users of this data sheet should check for themselves the Information and the suitability of the products for their purpose and not make any assumptions based on information included or omitted. Liability for loss or damage resulting from any reliance on the Information or use of it (including liability resulting from negligence or where the Group was aware of the possibility of such loss or damage arising) is excluded. This will not operate to limit or restrict the Group's liability for death or personal injury resulting from its negligence. Multicomp is the registered trademark of the Group. © Premier Farnell Limited 2016.

