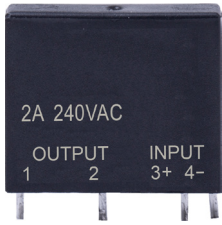


PCB Mount Solid State Relay

Single Phase AC Output



**RoHS
Compliant**



Description

This is printed board mounted solid state relay. Suitable for important industrial applications such as the control of the electromagnetic valve, motor, incandescent lamp. Control voltage is 12V DC, opto-isolation between input and output, the output is zero crossing and random on.

Features

- Opto-isolation
- Load Current: 0.1A-2A @24-280V AC
- Control Voltage: 12V DC
- Dielectric Strength: 2500VACrms
- TRIAC Output
- PCB Mounted

Application

Suitable for the control of electromagnetic valve, motor and incandescent lamp.

Technical Specification

Input Circuit		
Control Voltage Range	12V DC	9.6 - 14.4V DC
Must Turn-on Voltage		9.6V DC
Must Turn-off Voltage		1V DC
Maximum Input Current		25mA
Output Circuit		
Load Voltage Range	24-280V AC	
Transient Over voltage	600Vpk	
Maximum Surge Current [@10 ms]	2A	35A
Maximum Turn-on Time	Random-On	1ms
	Zero Crossing	10ms
Maximum Turn-off Time	10ms	
Load Current Range	2A	0.1 ~ 2A
Maximum Off-state Leakage Current [@ Rated Voltage]	1.5mA	
Maximum On-state Voltage Drop [@ Rated Current]	1.5Vrms	
Minimum Off-state dv/dt [@ Maximum Rated Voltage]	200V/μs	
General Information		
Dielectric Strength, Input/Output [50/60Hz]	2500V ACrms	
Insulation Resistance	1000MΩ (@500V DC)	

PCB Mount Solid State Relay

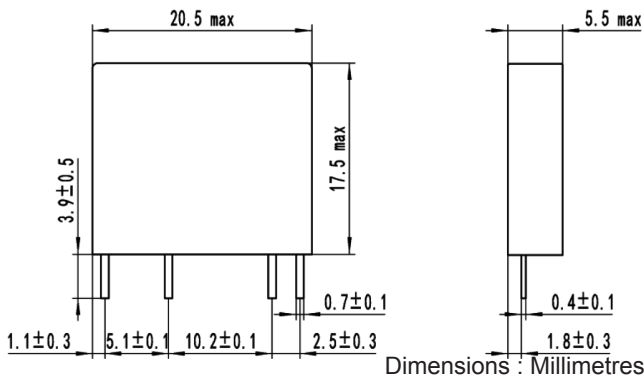
Single Phase AC Output



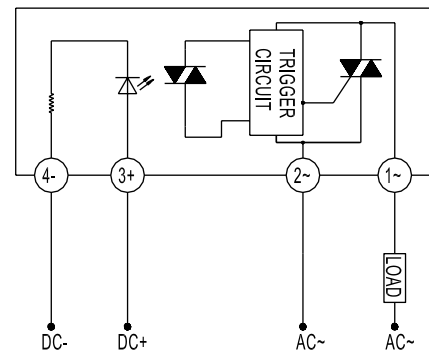
Ambient Operating Temperature Range	-30°C ~ +80°C
Ambient Storage	-30°C ~ +100°C
Weight [Typical]	3g

Installation Drawing

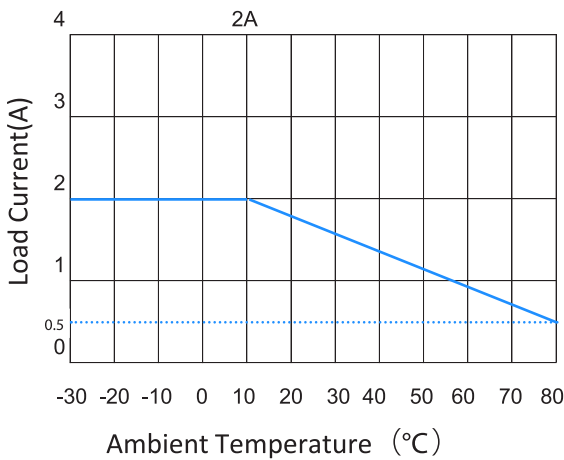
T Type Footprint



Wiring Diagram



Thermal Curve



Part Number Table

Description	Part Number
SSR, PCB Mount, 2A, 240V AC, 12V DC, Zero Crossing, T Footprint	MC002239
SSR, PCB Mount, 2A, 240V AC, 12V DC, Random Turn On, T Footprint	MC002240

Important Notice : This data sheet and its contents (the "Information") belong to the members of the Premier Farnell group of companies (the "Group") or are licensed to it. No licence is granted for the use of it other than for information purposes in connection with the products to which it relates. No licence of any intellectual property rights is granted. The Information is subject to change without notice and replaces all data sheets previously supplied. The Information supplied is believed to be accurate but the Group assumes no responsibility for its accuracy or completeness, any error in or omission from it or for any use made of it. Users of this data sheet should check for themselves the Information and the suitability of the products for their purpose and not make any assumptions based on information included or omitted. Liability for loss or damage resulting from any reliance on the Information or use of it (including liability resulting from negligence or where the Group was aware of the possibility of such loss or damage arising) is excluded. This will not operate to limit or restrict the Group's liability for death or personal injury resulting from its negligence. Multicomp is the registered trademark of the Group. © Premier Farnell Limited 2016.

