

# DIN Rail Mount Solid State Relay Module Single Channel DC Output



**RoHS  
Compliant**



## Description

This is a single channel din-rail mounted module with a SSR of max. load current at 5A. Control voltage is 4 ~ 32V DC and dielectric strength is at 2500V ACrms. Load voltage is 48VDC or 100VDC. It is widely used in industrial automations such as DC motor, DC power supply and all kinds of electromagnetic devices.

## Features

- Load Current: 0.02A ~ 5A @ 0 ~ 100V DC
- Standard 35mm DIN Rail
- Control Voltage: 4 ~ 32V DC
- LED Indication
- Dielectric Strength: 2500V ACrms

## Application

Widely used in industrial automation such as DC motor, DC power supply and all kinds of electromagnetic devices.

## Technical Specification

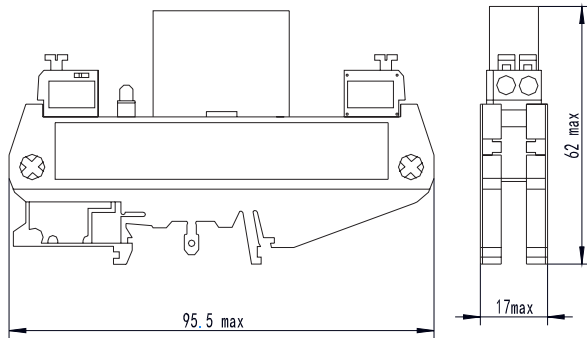
Input Circuit	
Control Voltage Range	4 ~ 32V DC
Must Turn-On Voltage	4V DC
Must Turn-Off Voltage	1V DC
Maximum Input Current	25mA
Output Circuit	
Load Voltage Range	0 ~ 100V DC
Repetitive peak off-state voltage	100Vpk
Load Current Range	0.02 ~ 5A
Maximum Turn-On Time	1ms
Maximum Turn-Off Time	1ms
Maximum Surge Current(@10 ms)	50A
Maximum Off-State Leakage Current [ @ Rated Voltage]	0.1mA
Max. On-state Resistance	100mΩ
General Information	
Dielectric Strength Input/Output	2500Vrms
Insulation Resistance Input/Output	1000MΩ
Ambient Operating Temperature Range	-30°C ~ +80°C
Ambient Storage Temperature Range	-30°C ~ +100°C
Weight (Typical)	45g



# DIN Rail Mount Solid State Relay Module Single Channel DC Output



## Installation Drawing

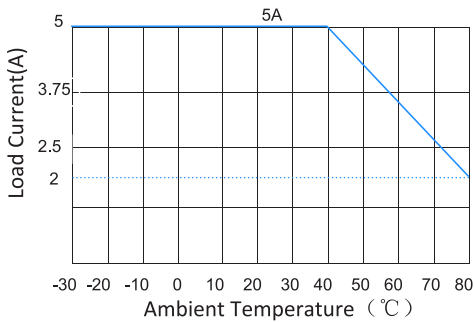


Dimensions : Millimetres

## Wiring Diagram



## Thermal Curve



## Part Number Table

Description	Part Number
SSR Module, DIN Rail Mount, 1-CH, 5A, 100V DC, 4-32V DC, Zero Crossing	MC002268

**Important Notice :** This data sheet and its contents (the "Information") belong to the members of the Premier Farnell group of companies (the "Group") or are licensed to it. No licence is granted for the use of it other than for information purposes in connection with the products to which it relates. No licence of any intellectual property rights is granted. The Information is subject to change without notice and replaces all data sheets previously supplied. The Information supplied is believed to be accurate but the Group assumes no responsibility for its accuracy or completeness, any error in or omission from it or for any use made of it. Users of this data sheet should check for themselves the Information and the suitability of the products for their purpose and not make any assumptions based on information included or omitted. Liability for loss or damage resulting from any reliance on the Information or use of it (including liability resulting from negligence or where the Group was aware of the possibility of such loss or damage arising) is excluded. This will not operate to limit or restrict the Group's liability for death or personal injury resulting from its negligence. Multicomp is the registered trademark of the Group. © Premier Farnell Limited 2016.

