

# IP68 Corrosion & Impact Resistant Enclosures Technical Specification

Manufactured from high quality aluminium, this range of enclosures offers strengthened resistance against salt spray and other corrosive elements.

Combined with increased impact resistance properties, they are ideal for placement in environments where high moisture or corrosive substance levels are present.

The range is tested and certified to IP68 with corrosion resistance for up to 1000 hours in salt spray, plus impact resistance of up to 7 joules, as per EN 50014.

Finished in a textured powder coating using Epoxy-Polyester (Hybrid). (Unpainted available on request).



**For more information:**

Phone: +44 (0)1724 273206

## Features:

- Corrosion Resistant
- High Impact Resistance (Whilst maintaining ingress protection)
- Longer Lifespan
- IP68 Protection

## Typical Applications:

- Marine
- Automotive
- Deep water applications
- Factories with a high level of moisture or corrosive substances

## Available Dimensions:

45 x 50 x 30mm	250 x 80 x 57mm
64 x 58 x 34mm	100 x 100 x 81mm
75 x 80 x 57mm	<b>122 x 120 x 81mm</b>
125 x 80 x 57mm	122 x 120 x 91mm
175 x 80 x 57mm	140 x 140 x 91mm

**Finish:** A textured powder coating, using Epoxy-Polyester (Hybrid).

**Colours:** Available in Grey (from stock), Black or Red (to order).

**Customisation:** We can machine and customise the enclosures to meet your specification.

- Visit our website for a complete services list.

## DEM Manufacturing

Deltron Emcon House,  
Hargreaves Way,  
Sawcliffe Industrial Park,  
Scunthorpe, DN15 8RF.

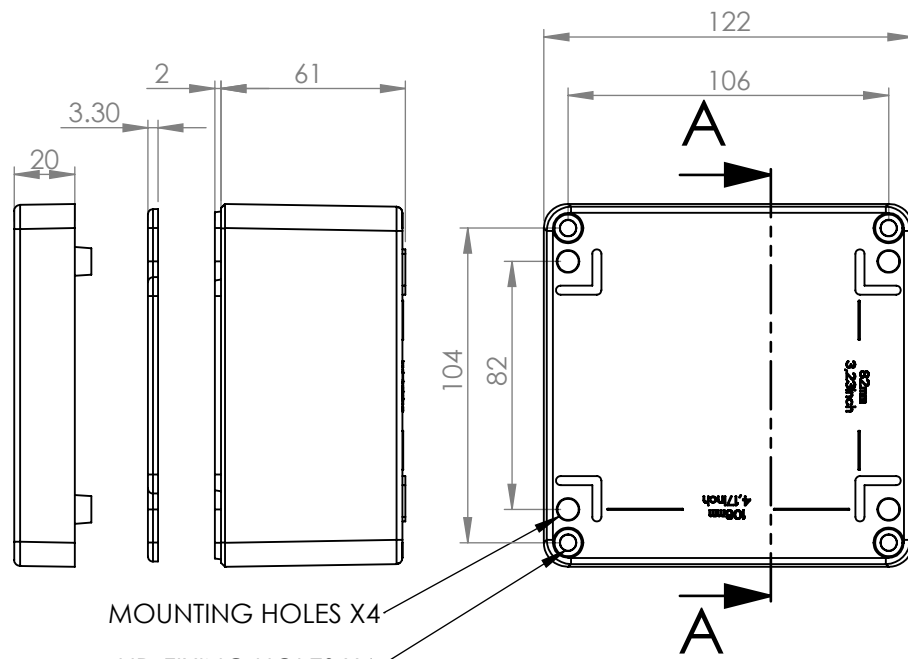
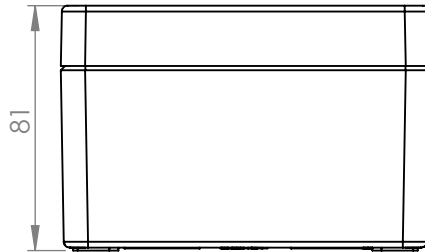
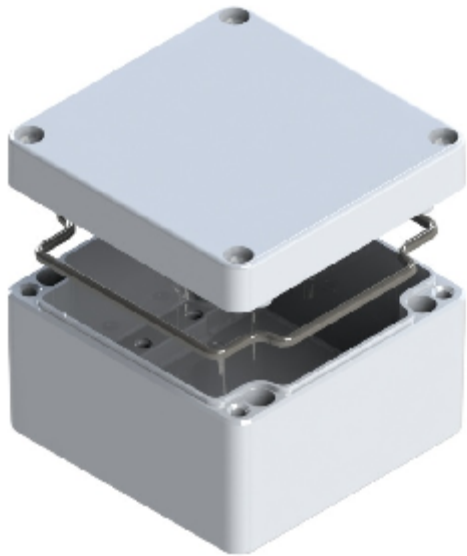
**DELTRON** Enclosures

Web: [www.dem-uk.com/deltron-enclosures](http://www.dem-uk.com/deltron-enclosures)

Tel: +44 (0) 1724 273206

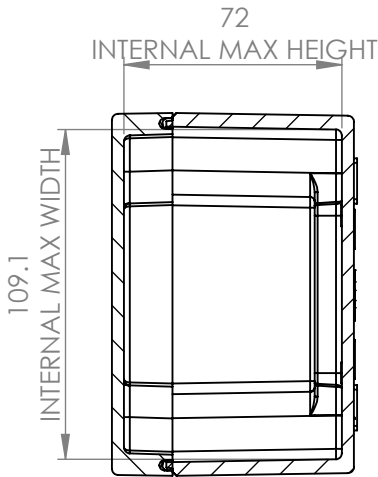
Fax: +44 (0) 1724 280353

Email: [sales@dem-uk.com](mailto:sales@dem-uk.com)

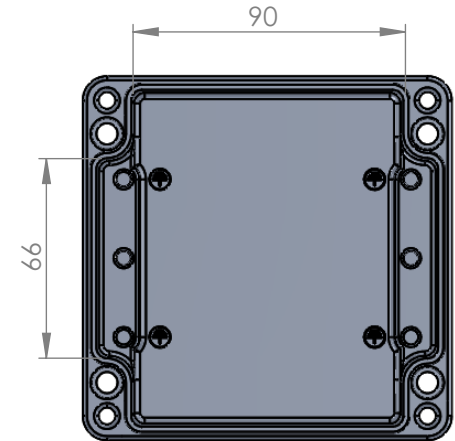


MOUNTING HOLES X4

LID FIXING HOLES X4



SECTION A-A



LENGTH	WIDTH	HEIGHT	PLAIN	POWDER COAT
122	120	81	489-121208-68	490-121208*-68
BOX DIMENSIONS IN MM			COLOUR OPTION - COLOUR SUFFIX * - GREY = A / BLACK = E / RED = R	

### HEAVY DUTY ENCLOSURE IP68 CORROSION + IMPACT RESISTANT BOX & LID ASSEMBLY

- Material EN AC-ALSi(Fe) to DIN EN 1706 (GD-ALSi12 to DIN 1725)
- IP68 Test as per IS/IEC 60529:2001 depth of 1 meter for 24 hours
- Shock resistance 7 Joules in accordance with EN 60079-0:2004 without impairment of protection
- Seal supplied neoprene moulded and replaceable. Has flat seal face (moulded silicon available on request)
- Min enclosure wall thickness 2.4mm
- Min enclosure lid thickness 2.4mm
- Enclosures can be supplied fully factory customised to your specification
- Powder coating 70-90 µm external 50-70 µm internal where specified
- Salt spray >1000h
- Screws stainless steel captive
- Lid screw torque rating M4-1.5Nm & M6-5.2Nm

Tel No. +44(0)1724 273200 Website www.dem-uk.com



PROPRIETARY AND CONFIDENTIAL  
THE INFORMATION CONTAINED IN THIS DRAWING IS THE SOLE PROPERTY OF ALPHA 3 MANUFACTURING.  
ANY REPRODUCTION IN PART OR AS A WHOLE WITHOUT THE WRITTEN PERMISSION OF ALPHA 3 MANUFACTURING IS PROHIBITED.

DEM Manufacturing, Deltron Emcon House  
Hargreaves Way, Sawcliffe Ind. Park,  
Scunthorpe, North Lincolnshire, DN15 8RF, UK

UNLESS OTHERWISE SPECIFIED:  
DIMENSIONS ARE IN MILLIMETRES.  
TOLERANCE:  
**NO DECIMAL PLACES ±1.0mm**  
**1 DECIMAL PLACE ±0.5mm**  
**2 DECIMAL PLACES ±0.2mm**  
**ANGULAR TOLERANCE: ±1°**

FINISH	PLAIN/POWDER COAT	DEBURR AND BREAK SHARP EDGES
MATERIAL	ALUMINIUM	
IF IN DOUBT ASK DO NOT SCALE DRAWING		

DRAWN BY	AY
APPROVED BY	TD
THIRD ANGLE PROJECTION	
SHEET 1 OF 1	
SCALE	1:2.5
	A4

TITLE		HEAVY DUTY ENCLOSURE IP68 CORROSION + IMPACT RESISTANT BOX & LID ASSEMBLY
DRAWING NO.	121208-68	ISSUE
		<b>01</b> Release