

IP68 Corrosion & Impact Resistant Enclosures Technical Specification

Manufactured from high quality aluminium, this range of enclosures offers strengthened resistance against salt spray and other corrosive elements.

Combined with increased impact resistance properties, they are ideal for placement in environments where high moisture or corrosive substance levels are present.

The range is tested and certified to IP68 with corrosion resistance for up to 1000 hours in salt spray, plus impact resistance of up to 7 joules, as per EN 50014.

Finished in a textured powder coating using Epoxy-Polyester (Hybrid). (Unpainted available on request).



For more information:

Phone: +44 (0)1724 273206

Features:

- Corrosion Resistant
- High Impact Resistance (Whilst maintaining ingress protection)
- Longer Lifespan
- IP68 Protection

Typical Applications:

- Marine
- Automotive
- Deep water applications
- Factories with a high level of moisture or corrosive substances

Available Dimensions:

45 x 50 x 30mm	250 x 80 x 57mm
64 x 58 x 34mm	100 x 100 x 81mm
75 x 80 x 57mm	122 x 120 x 81mm
125 x 80 x 57mm	122 x 120 x 91mm
175 x 80 x 57mm	140 x 140 x 91mm

Finish: A textured powder coating, using Epoxy-Polyester (Hybrid).

Colours: Available in Grey (from stock), Black or Red (to order).

Customisation: We can machine and customise the enclosures to meet your specification.

- Visit our website for a complete services list.

DEM Manufacturing

Deltron Emcon House,
Hargreaves Way,
Sawcliffe Industrial Park,
Scunthorpe, DN15 8RF.

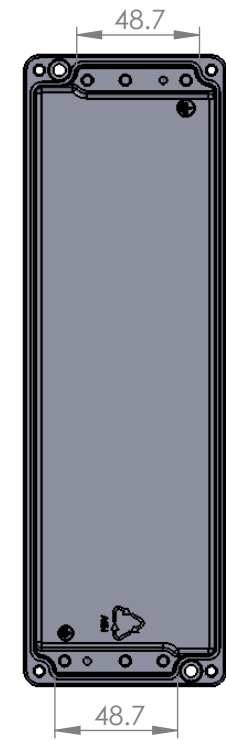
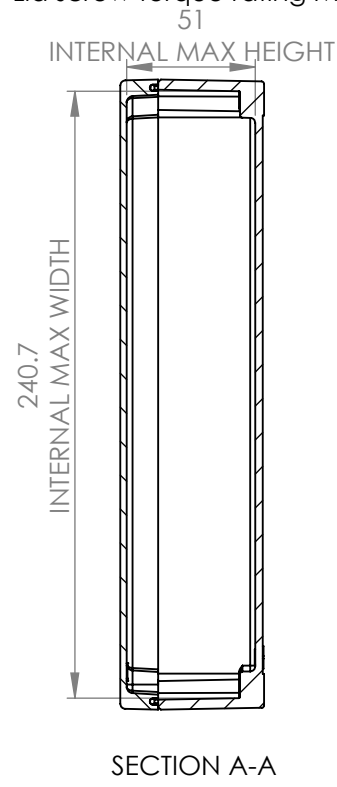
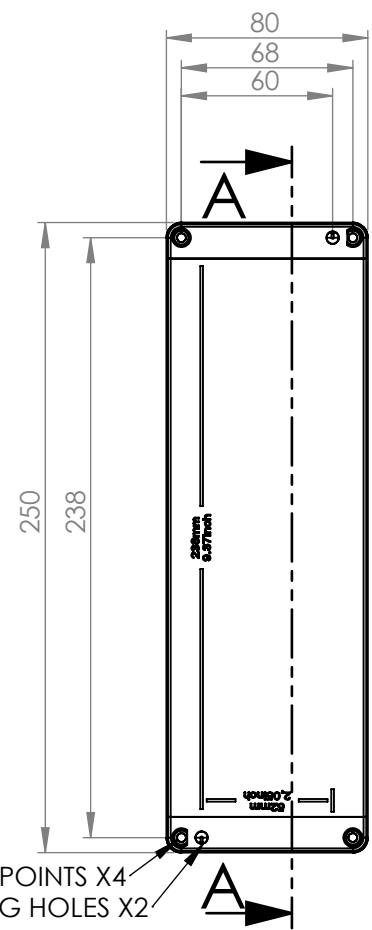
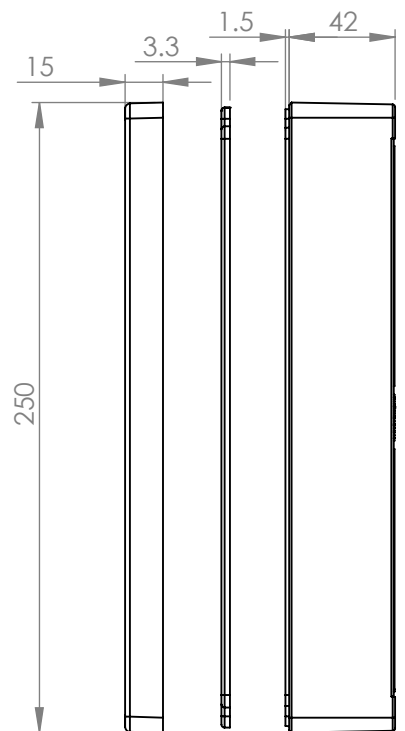
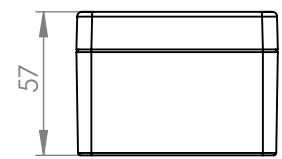
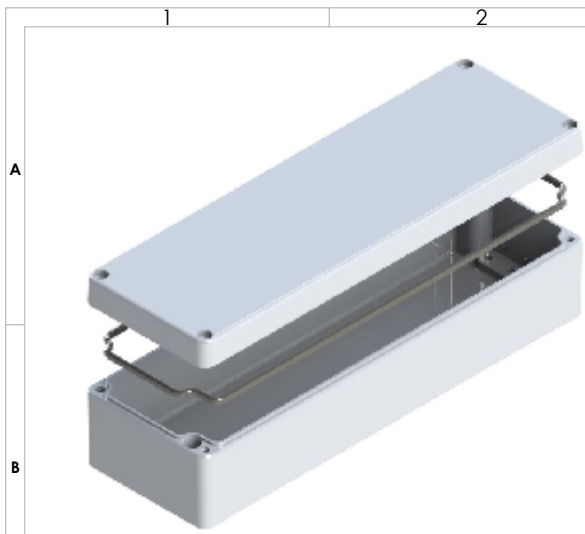
DELTRON Enclosures

Web: www.dem-uk.com/deltron-enclosures

Tel: +44 (0) 1724 273206

Fax: +44 (0) 1724 280353

Email: sales@dem-uk.com



LENGTH	WIDTH	HEIGHT	PLAIN	POWDER COAT
250	80	57	489-250805-68	490-250805*-68
BOX DIMENSIONS IN MM			COLOUR OPTION - COLOUR SUFFIX * - GREY = A / BLACK = E / RED = R	

HEAVY DUTY ENCLOSURE IP68 CORROSION + IMPACT RESISTANT BOX & LID ASSEMBLY

- Material EN AC-AISI(Fe) to DIN EN 1706 (GD-AISI12 to DIN 1725)
- IP68 Test as per IS/IEC 60529:2001 depth of 1 meter for 24 hours
- Shock resistance 7 Joules in accordance with EN 60079-0:2004 without impairment of protection
- Seal supplied neoprene moulded and replaceable. Has flat seal face (moulded silicon available on request)
- Min enclosure wall thickness 2.4mm
- Min enclosure lid thickness 2.4mm
- Enclosures can be supplied fully factory customised to your specification
- Powder coating 70-90 µm external 50-70 µm internal where specified
- Salt spray >1000h
- Screws stainless steel captive
- Lid screw torque rating M4-1.5Nm & M6-5.2Nm

Tel No. +44(0)1724 273200 Website www.dem-uk.com

Alpha3 manufacturing

ROXBURGH EMC

DELTRON Components

DELTRON Enclosures

DEM

PROPRIETARY AND CONFIDENTIAL
 THE INFORMATION CONTAINED IN THIS DRAWING IS THE SOLE PROPERTY OF ALPHA 3 MANUFACTURING.
 ANY REPRODUCTION IN PART OR AS A WHOLE WITHOUT THE WRITTEN PERMISSION OF ALPHA 3 MANUFACTURING IS PROHIBITED.

DEM Manufacturing, Deltron Emcon House
 Hargreaves Way, Sawcliffe Ind. Park,
 Scunthorpe, North Lincolnshire, DN15 8RF, UK

UNLESS OTHERWISE SPECIFIED:
 DIMENSIONS ARE IN MILLIMETRES.
 TOLERANCE:
NO DECIMAL PLACES ±1.0mm
1 DECIMAL PLACE ±0.5mm
2 DECIMAL PLACES ±0.2mm
ANGULAR TOLERANCE: ±1°

FINISH: PLAIN/POWDER COAT
 DEBURR AND BREAK SHARP EDGES

IF IN DOUBT ASK
 DO NOT SCALE DRAWING

MATERIAL: ALUMINIUM

DRAWN BY: AY
 APPROVED BY: TD

THIRD ANGLE PROJECTION

SHEET 1 OF 1

SCALE 1:3

A4

TITLE: HEAVY DUTY ENCLOSURE IP 68
 CORROSION + IMPACT RESISTANT
 BOX & LID ASSEMBLY

DRAWING NO.: 250805-68

ISSUE: **01**
 Release