



NIDEC-SHIMPO CORPORATION
INSTRUMENTS DIVISION

Compression Plates



SHIMPO's Compression Plate attachments, 2" (50 mm) and 4" (100 mm) steel compression plates with polished finish are designed for top-loading compression or crush tests. Compression Plate attachments are available in 2" (50 mm) or 4" (100 mm) and M6 or M10 threading.

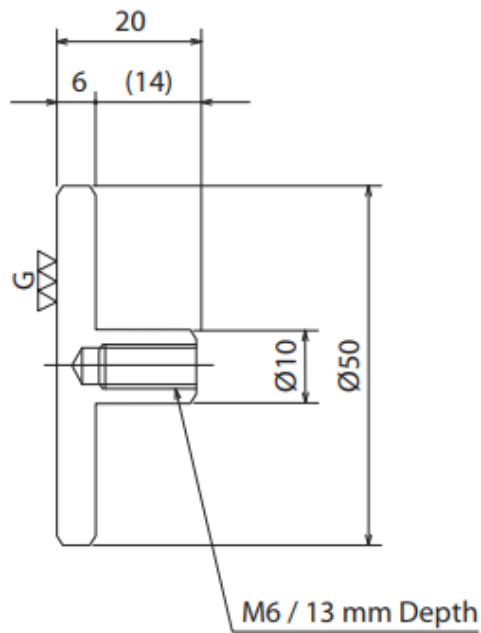
Grips and attachments sold individually (not in pairs).

Specifications

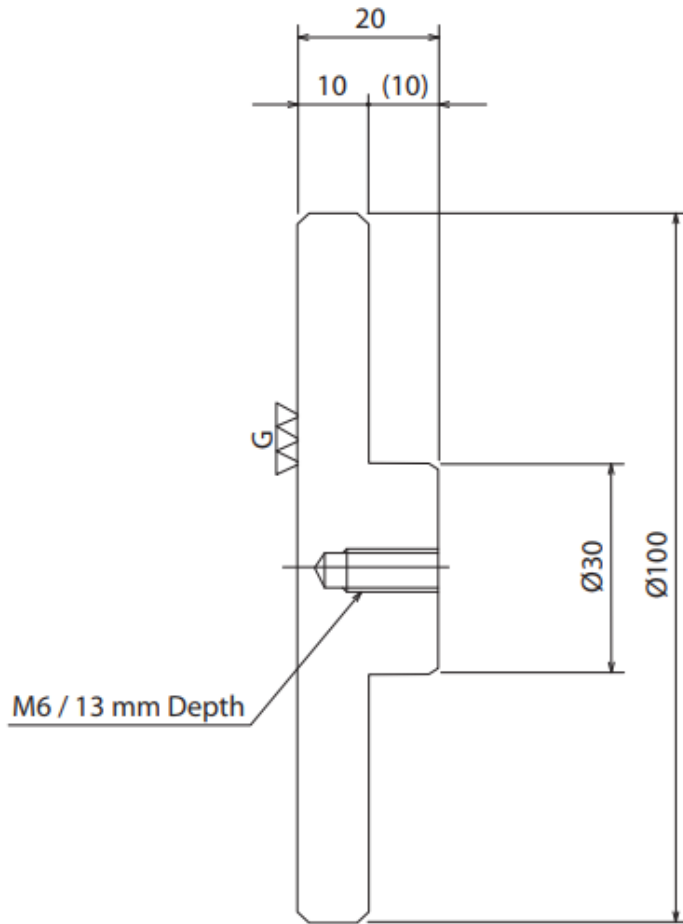
Model	FG-M6COMP50U	FG-M10COMP50U
Capacity	200 lb (100 kg)	200 lb (100 kg)
Thread Connection	M6 thread	M10 thread
Size	2" (50 mm)	2" (50 mm)

Model	FG-M6COMP100U	FG-M10COMP100U
Capacity	200 lb (100 kg)	200 lb (100 kg)
Thread Connection	M6 thread	M10 thread
Size	4" (100 mm)	4" (100 mm)

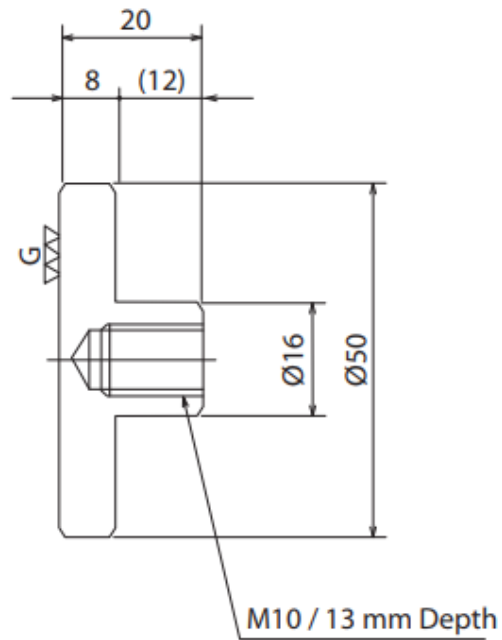
Dimensions



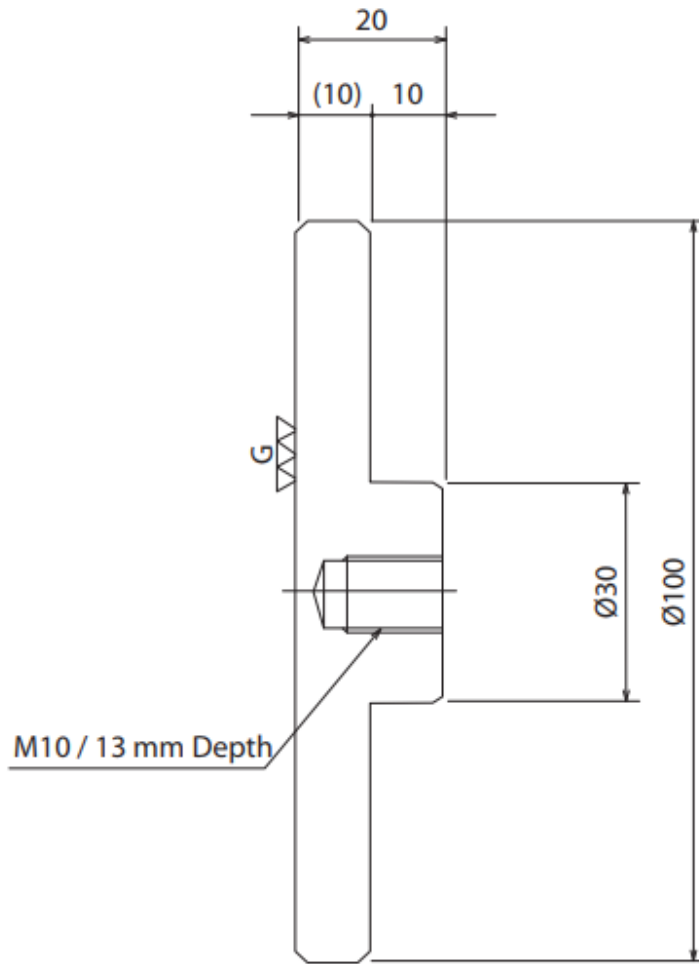
		NIDEC-SHIMPO AMERICA CORP		
		Itasca, IL 60143, USA Tel: (630) 924-7138		
SCALE Free		MODEL FG-M6COMP50U		
UNITS mm		DRAWING NO.		REV. MARK
DATE 01/09/15				



		NIDEC-SHIMPO AMERICA CORP		
SCALE Free		Itasca, IL 60143, USA Tel: (630) 924-7138		
UNITS mm		MODEL FG-M6COMP100U		
DATE 01/09/15		DRAWING NO.		REV. MARK



		NIDEC-SHIMPO AMERICA CORP		
		Itasca, IL 60143, USA Tel: (630) 924-7138		
SCALE Free		MODEL	FG-M10COMP50U	
UNITS mm			DRAWING NO.	REV. MARK
DATE 01/09/15				



		NIDEC-SHIMPO AMERICA CORP		
SCALE Free		Itasca, IL 60143, USA Tel: (630) 924-7138		
UNITS mm		MODEL FG-M10COMP100U		
DATE 01/12/15		DRAWING NO.		REV. MARK