

Board-to-Board Link for SMD PCB Terminal Blocks; 0.5 mm²; 3 mm Pin Spacing 2059 Series



- Board-to-board links simplify LED module assembly
- Easy push-in connection and disconnection

2


Electrical Data for Pin Spacing


| | |
|-------------------------------|-------------------|
| Ratings per* | 3 mm / 0.118 inch |
| Nominal voltage (III / 3) | IEC/EN 60664-1 |
| Rated surge voltage (III / 3) | 63 V |
| Rated voltage (III / 2) | 2.5 kV |
| Rated surge voltage (III / 2) | 160 V |
| Nominal voltage (II / 2) | 2.5 kV |
| Rated surge voltage (II / 2) | 320 V |
| Rated Current | 2.5 kV |
| | 3 A |

Material Data

| | |
|-----------------------------|----------------------|
| Material group | I |
| Insulation material | Polyamide 66 (PA 66) |
| Flammability class per UL94 | V0 |
| Limit temperature range | -60 ... +105 °C |
| Contact material | Copper alloy |
| Contact Plating | silver-plated |

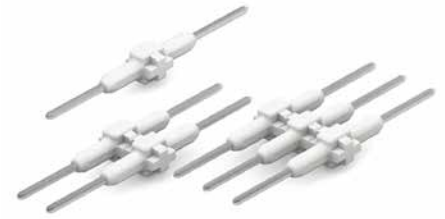
*(III / 2) ≙ Overvoltage category III /
Pollution degree 2

 Additional technical information,
see Volume 2, Section 13

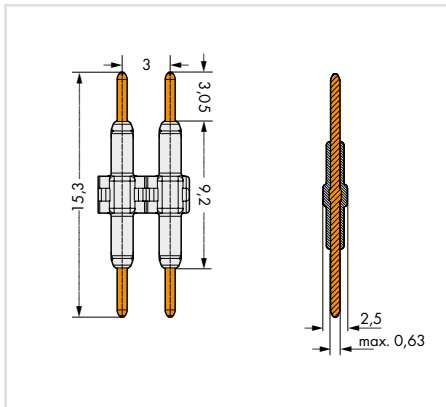
 Approvals and corresponding ratings,
visit www.wago.com

Board-to-Board Link for SMD PCB Terminal Blocks; 0.5 mm²; 3 mm Pin Spacing 2059 Series

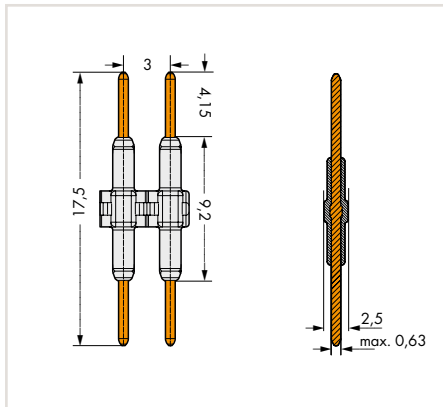
2



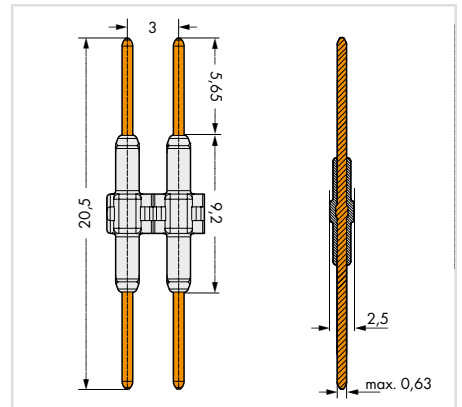
Dimensions (in mm):



Dimensions (in mm):



Dimensions (in mm):



Board-to-board link for SMD PCB terminal blocks; 15.3 mm pin length; white; 3 mm (0.118 inch) pin spacing

| Pole No. | Item No. | Pack. Unit |
|----------|----------|------------|
| 1 | 2059-901 | 1500 |
| 2 | 2059-902 | 500 |
| 3 | 2059-903 | 375 |
| 4 | 2059-904 | 250 |

Board-to-board link for SMD PCB terminal blocks; 17.5 mm pin length; white; 3 mm (0.118 inch) pin spacing

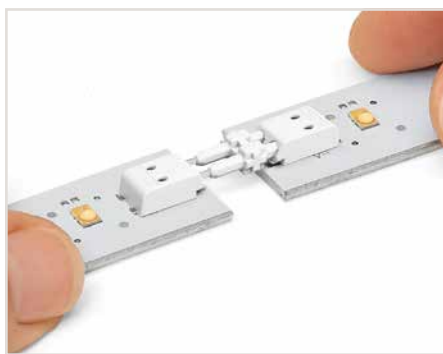
| Pole No. | Item No. | Pack. Unit |
|----------|------------------|------------|
| 1 | 2059-901/018-000 | 1500 |
| 2 | 2059-902/018-000 | 500 |
| 3 | 2059-903/018-000 | 375 |
| 4 | 2059-904/018-000 | 250 |

Board-to-board link for SMD PCB terminal blocks; 20.5 mm pin length; white; 3 mm (0.118 inch) pin spacing

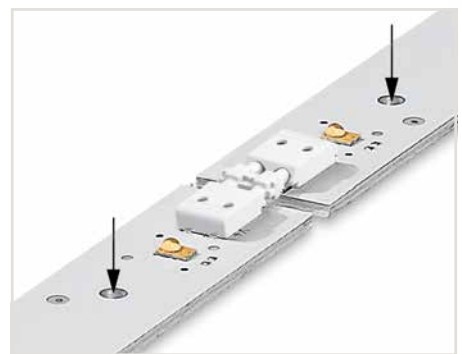
| Pole No. | Item No. | Pack. Unit |
|----------|------------------|------------|
| 1 | 2059-901/021-000 | 1500 |
| 2 | 2059-902/021-000 | 500 |
| 3 | 2059-903/021-000 | 375 |
| 4 | 2059-904/021-000 | 250 |



Inserting a board-to-board link into the terminal block.



Assembly: Place PCBs on a flat surface and connect terminal blocks on adjoining PCBs via board-to-board link. Disassembly: Pull PCBs apart (max. 10 mating cycles).



The PCBs must be secured.

