



## Main

Range of product	OsiSense XS
Series name	General purpose
Sensor type	Inductive proximity sensor
Device application	-
Sensor name	XS4
Sensor design	Cylindrical M8
Size	50 mm
Body type	Fixed
Detector flush mounting acceptance	Non flush mountable
Material	Plastic
Type of output signal	Discrete
Wiring technique	2-wire
[Sn] nominal sensing distance	2.5 mm
Discrete output function	1 NO
Output circuit type	AC/DC
Electrical connection	Cable
Cable length	2 m
[Us] rated supply voltage	24...240 V AC/DC, 50/60 Hz
Switching capacity in mA	5...100 mA AC/DC
IP degree of protection	IP67 conforming to IEC 60529

## Complementary

Thread type	M8 x 1
Detection face	Frontal
Front material	PPS
Enclosure material	PPS
Operating zone	0...2 mm
Differential travel	1...15% of Sr
Cable composition	2 x 0.11 mm <sup>2</sup>
Wire insulation material	PvR
Status LED	1 LED (yellow) for output state
Supply voltage limits	20...264 V AC/DC
Residual current	<= 0.6 mA (open state)
Switching frequency	<= 25 Hz (AC) <= 3000 Hz (DC)
Voltage drop	<= 5.5 V (closed)
Delay first up	<= 40 ms
Delay response	<= 0.2 ms
Delay recovery	<= 0.2 ms
Marking	CE
Threaded length	40 mm
Height	8 mm
Length	50 mm

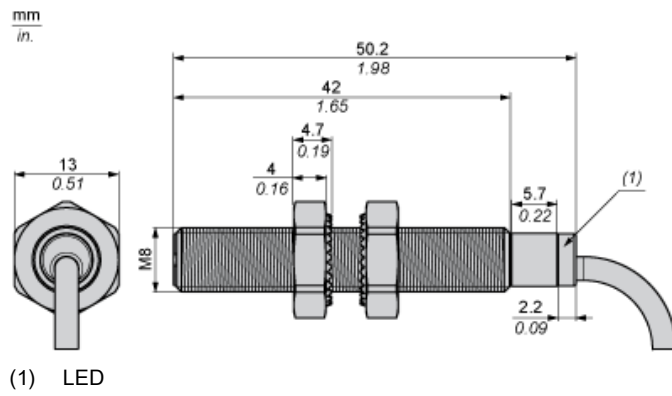
## Environment

Product certifications	CCC CSA UL Ecolab
Ambient air temperature for operation	-25...70 °C
Ambient air temperature for storage	-40...85 °C
Vibration resistance	25 gn, amplitude: +/- 2 mm (f = 10...55 Hz) conforming to IEC 60068-2-6
Shock resistance	50 gn (duration = 11 ms) conforming to IEC 60068-2-27

## Offer Sustainability

Sustainable offer status	Green Premium product
RoHS (date code: YYWW)	Compliant - since 0843 - <a href="#">Schneider Electric declaration of conformity</a>
REACH	Reference not containing SVHC above the threshold
Product environmental profile	Available <a href="#">Download Product Environmental</a>
Product end of life instructions	Available <a href="#">Download End Of Life Manual</a>

Dimensions



### Minimum Mounting Distances

Side by side



e (1) 10 mm/0.39 in.

≥

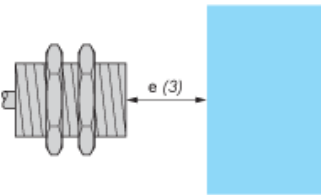
Face to face



e (2) 30 mm/1.18 in.

≥

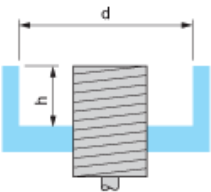
Facing a metal object



e (3) 7.5 mm/0.30 in.

≥

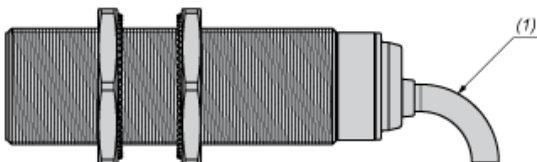
Mounted in a metal support



d ≥ 24 mm/0.94 in.

h ≥ 5 mm/0.20 in.

### Mounting



(1) Bending cable: 4 x external cable diameter

---

Wiring Schemes

---

2-Wire AC or DC

NO output



BU : Blue  
BN : Brown