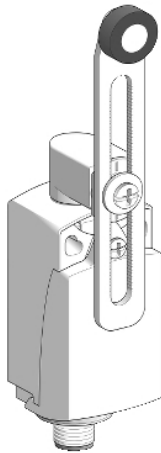


# XCKP2145M12

limit switch XCKP - th.plastic roller lever  
var.length - 1NC+1NO - snap - M12



## Main

|                               |  |
|-------------------------------|--|
| Range of product              | OsiSense XC  |
| Series name                   | Standard format  |
| Product or component type     | Limit switch   |
| Device short name             | XCKP   |
| Sensor design                 | Compact  |
| Body type                     | Fixed  |
| Head type                     | Rotary head  |
| Material                      | Plastic  |
| Body material                 | Plastic  |
| Head material                 | Zamak  |
| Fixing mode                   | By the body  |
| Movement of operating head    | Rotary   |
| Type of operator              | Spring return roller lever thermoplastic (variable length) |
| Type of approach              | Lateral approach 2 directions                              |
| Number of poles               | 2  |
| Contacts type and composition | 1 NC + 1 NO  |
| Contact operation             | Snap action  |

## Complementary

|  |   |
|--|---|
| Switch actuation                             | By 30° cam  |
| Electrical connection                        | Male connector M12, 4 pins  |
| Contacts insulation form                     | Zb  |
| Positive opening                             | With  |
| Positive opening minimum torque              | 0.25 N.m  |
| Minimum torque for tripping                  | 0.1 N.m   |
| Maximum actuation speed                      | 1.5 m/s   |
| Repeat accuracy                              | 0.1 mm on the tripping points with 1 million operating cycles   |
| [Ie] rated operational current               | 0.27 A at 250 V, DC-13 conforming to EN/IEC 60947-5-1 appendix A<br>3 A at 240 V, AC-15 conforming to EN/IEC 60947-5-1 appendix A   |
| [Ithe] conventional enclosed thermal current | 3 A   |
| [Ui] rated insulation voltage                | 300 V conforming to CSA C22.2 No 14<br>250 V degree of pollution 3 conforming to IEC 60947-1<br>300 V conforming to UL 508  |
| Resistance across terminals                  | <= 25 MOhm conforming to IEC 60255-7 category 3   |
| [Uimp] rated impulse withstand voltage       | 2.5 kV conforming to IEC 60664<br>2.5 kV conforming to IEC 60947-1  |
| Short-circuit protection                     | 4 A by gG cartridge fuse  |
| Electrical durability                        | 5000000 cycles, DC-13, 120 V, 4 W, operating rate: <= 60 cyc/mn, load factor: 0.5 conforming to IEC 60947-5-1 appendix C<br>5000000 cycles, DC-13, 24 V, 10 W, operating rate: <= 60 cyc/mn, load factor: 0.5 conforming to IEC 60947-5-1 appendix C<br>5000000 cycles, DC-13, 48 V, 7 W, operating rate: <= 60 cyc/mn, load factor: 0.5 conforming to IEC 60947-5-1 appendix C |
| Mechanical durability                        | 10000000 cycles   |
| Width  | 31 mm   |
| Height                                       | 65 mm   |

The information provided in this documentation contains general descriptions and/or technical characteristics of the performance of the products contained herein. This documentation is not intended as a substitute for and is not to be used for determining suitability or reliability of these products for specific user applications. It is the duty of any such user or integrator to perform the appropriate and complete risk analysis, evaluation and testing of the products with respect to the relevant specific application or use thereof. Neither Schneider Electric Industries SAS nor any of its affiliates or subsidiaries shall be responsible or liable for misuse of the information contained herein.

|                               |                        |
|-------------------------------|------------------------|
| Depth                         | 30 mm                  |
| Product weight                | 0.15 kg                |
| Terminals description ISO n°1 | (13-14)NO<br>(21-22)NC |

## Environment

|                                       |   |
|---------------------------------------|---|
| Shock resistance                      | 50 gn (duration = 11 ms) conforming to IEC 60068-2-27                                   |
| Vibration resistance                  | 25 gn (f = 10...500 Hz) conforming to IEC 60068-2-6                                     |
| IP degree of protection               | IP66 conforming to IEC 60529<br>IP67 conforming to IEC 60529                            |
| IK degree of protection               | IK04 conforming to EN 50102   |
| Electrical shock protection class     | Class II conforming to IEC 61140<br>Class II conforming to NF C 20-030                  |
| Ambient air temperature for operation | -25...70 °C   |
| Ambient air temperature for storage   | -40...70 °C   |
| Protective treatment                  | TC  |
| Product certifications                | CCC<br>CSA<br>UL  |
| Standards                             | EN 60204-1<br>EN 60947-5-1<br>IEC 60204-1<br>IEC 60947-5-1<br>UL 508<br>CSA C22.2 No 14 |

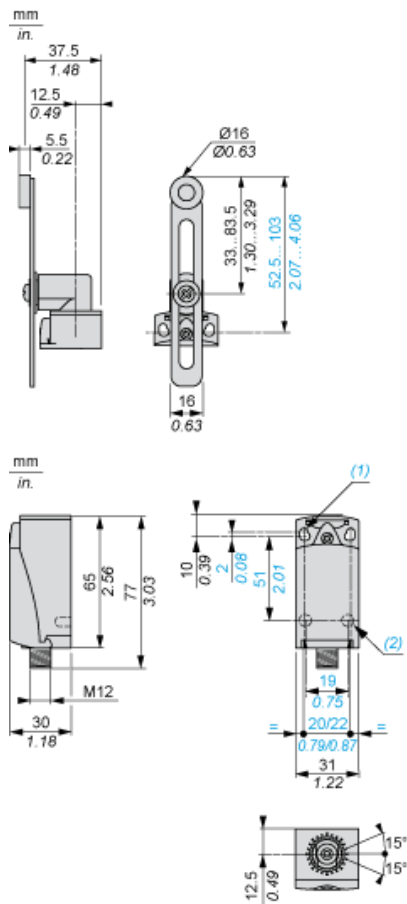
## Offer Sustainability

|                          |  |
|--------------------------|--|
| Sustainable offer status | Green Premium product  |
| RoHS (date code: YYWW)   | Compliant - since 1002 - Schneider Electric declaration of conformity <a href="#">Schneider Electric declaration of conformity</a> |
| REACH                    | Reference not containing SVHC above the threshold  |

## Contractual warranty

|                 |           |
|-----------------|-----------|
| Warranty period | 18 months |
|-----------------|-----------|

Dimensions



- (1) 2 elongated holes  $\varnothing 4.3 \times 6.3$  mm on 22 mm centres, 2 holes  $\varnothing 4.3$  on 20 mm centres.  
 (2) 2 x  $\varnothing 3$  holes for support studs, depth 4 mm.

## Mounting with Cable Entry

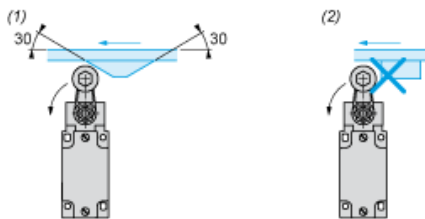
### Position of Cable Gland



- (1) Recommended
- (2) To be avoided

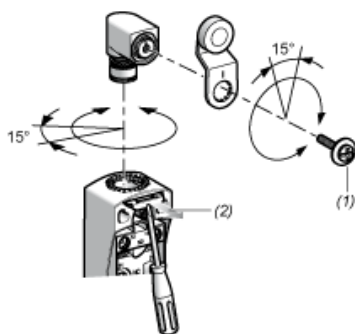
## Mounting with Rotary Heads and Levers

### Type of Cam



- (1) Recommended
- (2) To be avoided

## Setting-up with Head ZCE01 and ZCE09



- (1) Tightening torque (Min : 1) (Max : 1.5)
- (2) Tightening torque (Min : 0.8) (Max : 1.2)

---

## Wiring Diagram

---

2-pole NC + NO Snap Action

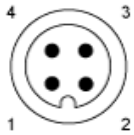


---

## Connections

---

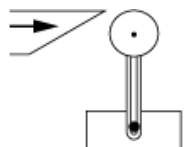
M12 Connector



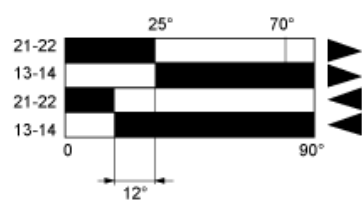
1-2 : NC  
3-4 : NO

## Characteristics of Actuation

### Switch Actuation by 30° Cam



## Functionnal Diagram



- (1) Closed
- (2) Open
- (4) Tripping
- (5) Resetting

- (1) Closed
- (2) Open
- (4) Tripping
- (5) Resetting